



MICRO SWITCH
 FREEPORT ILLINOIS
 A DIVISION OF HONEYWELL
 FED. MFG. CODE 91929

ACTUATOR-SWITCH

CATALOG LISTING
JS-245

JS-245

M

DRAWING NUMBER

X

X

ISSUE

84

84

REPLACES

RELEASE NO. SR 10880

CHECK

NOV '62

DES

NOV '62

CHECK

NOV '62

CHECK

NOV '62

CHECK

NOV '62

CHECK

NOV '62

CHECK

NOV '62

CHECK

NOV '62

CHECK

NOV '62

CHECK

NOV '62

REVISIONS

| | | | |
|---|---------|-----|------------|
| A | SR10880 | LEB | 25 MAR 63 |
| B | CO21422 | WEG | 20 JUNE 66 |
| C | CO79303 | DLT | 8 MAR 95 |

DAW

NOV '62

CHECK

NOV '62

CHECK

NOV '62

CHECK

NOV '62

CHECK

NOV '62

CHECK

NOV '62

CHECK

NOV '62

CHECK

NOV '62

CHECK

NOV '62

CHECK

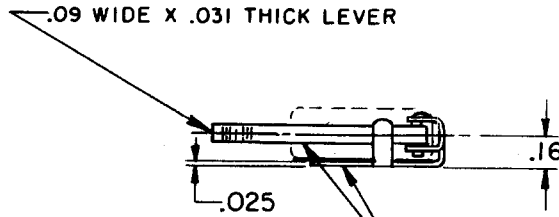
NOV '62

CHECK

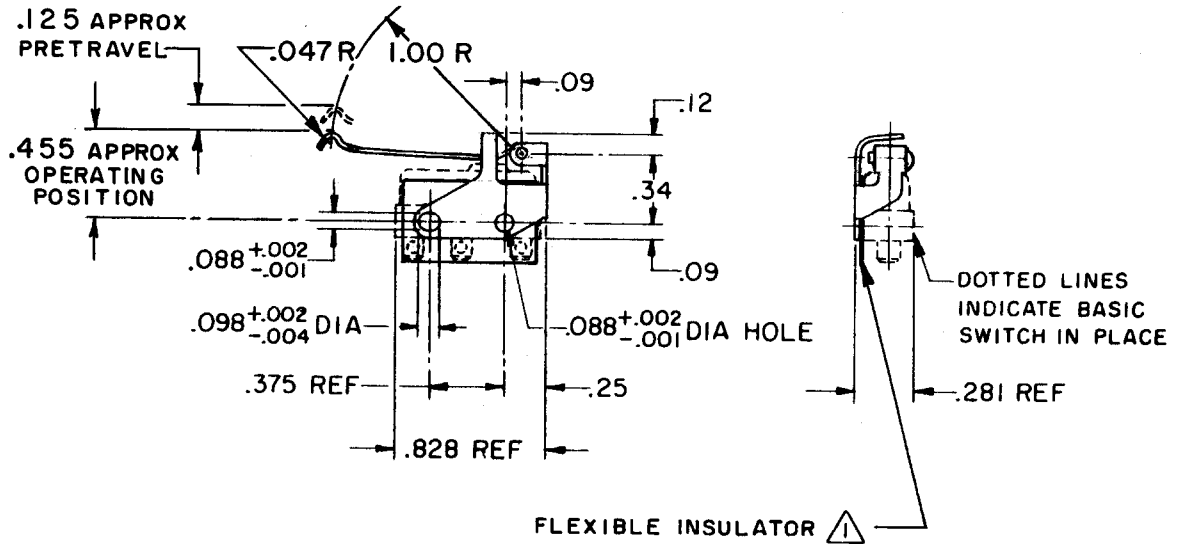
NOV '62

CHECK

NOV '62



CORROSION RESISTANT STEEL ACTUATOR AND BRACKET (TYPE 302)



NOTE -
 △ FURNISHED UNASSEMBLED

THIS DRAWING COVERS A PROPRIETARY ITEM AND IS THE PROPERTY OF MICRO SWITCH, A DIVISION OF MINNEAPOLIS-HONEYWELL REGULATOR CO. THIS DRAWING IS NOT TO BE COPIED OR USED WITHOUT THE APPROVAL OF MICRO SWITCH.

CHARACTERISTICS WITH ISMI BASIC SWITCH INSTALLED

| | |
|--------------------------|------------|
| OPERATING FORCE----- | 1 OZ MAX |
| RELEASE FORCE----- | 4 GRAM MIN |
| DIFFERENTIAL TRAVEL----- | .030 MAX |
| OVERTRAVEL----- | .030 MIN |

ELECTRICAL DATA

CONTACT ARRANGEMENT

SCALE FULL

DO NOT SCALE PRINT

UNLESS OTHERWISE SPECIFIED

DIMENSIONS ARE IN INCHES

TOLERANCES ARE:

| | | |
|-------------|--------|-------|
| ONE PLACE | (.0) | ±.030 |
| TWO PLACE | (.00) | ±.015 |
| THREE PLACE | (.000) | ±.005 |
| ANGLES | | ± |

WEIGHT

FO-50378

DRAWN

LMH

NOV '62