

MICRO SWITCH

A DIVISION OF MINNEAPOLIS-HONEYWELL REGULATOR COMPANY
PRAIRIE, ILLINOIS

FED. MFR. CODE 91929

ACTUATOR-SWITCH

CATALOG LISTING

JS-223-B

JS-223-B

M

DRAWING NUMBER

2

X

ISSUE

REPLACES

RELEASE NO. SR 10105

CHECK

REVISIONS

A 0021422
W E G
20 JUNE 66

CHECK

21 FEB '62

CHECK

21 FEB '62

CHECK

21 FEB '62

CHECK

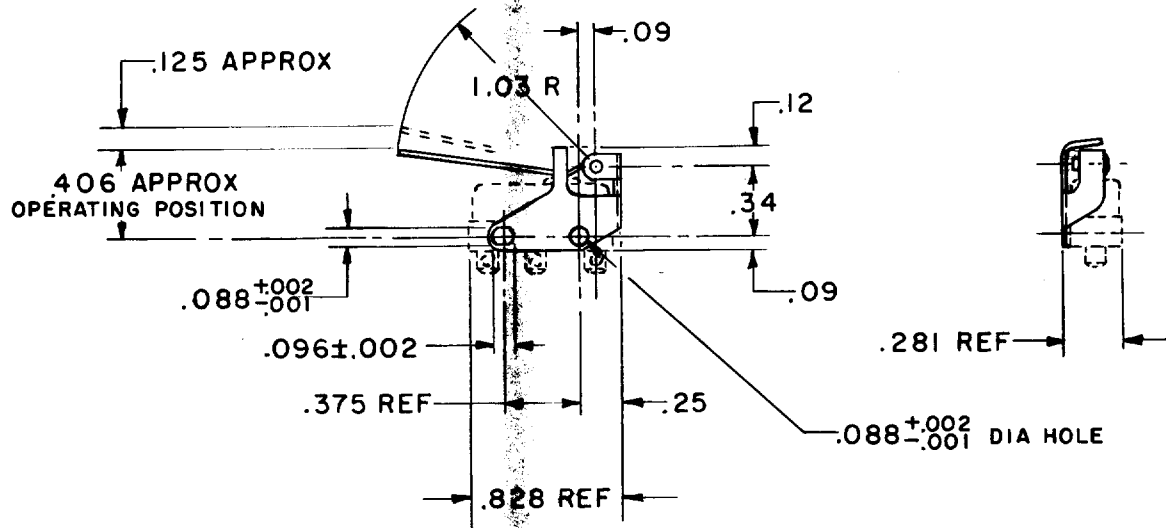
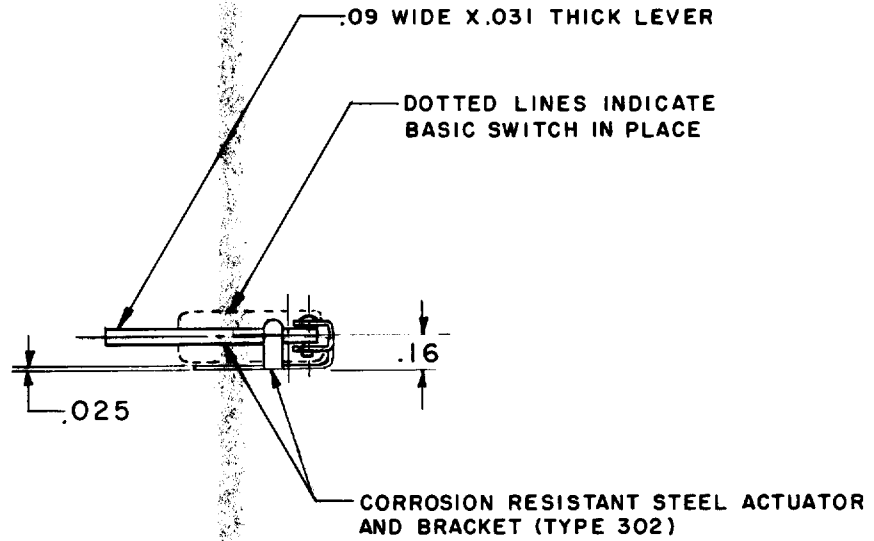
21 FEB 62

CHECK

21 FEB 62

CHECK

21 FEB 62



NOTE -
1 - FURNISHED BULK PACKED

THIS DRAWING COVERS A PROPRIETARY ITEM AND IS THE PROPERTY OF MICRO SWITCH, A DIVISION OF MINNEAPOLIS-HONEYWELL REGULATOR CO. THIS DRAWING IS NOT TO BE COPIED OR USED WITHOUT THE APPROVAL OF MICRO SWITCH.

CHARACTERISTICS WITH ISMI BASIC SWITCH INSTALLED

OPERATING FORCE ----- 1 OZ MAX

RELEASE FORCE ----- 4 GRAMS MIN

DIFFERENTIAL TRAVEL ----- .030 MAX

OVERTRAVEL ----- .030 MIN

ELECTRICAL DATA

CONTACT ARRANGEMENT

BREAK DISTANCE

SCALE FULL

DO NOT SCALE PRINT

UNLESS OTHERWISE SPECIFIED
DIMENSIONS ARE IN INCHES
TOLERANCES ARE:

ONE PLACE	(.0)	±.030
TWO PLACE	(.00)	±.015
THREE PLACE	(.000)	±.005
ANGLES		±

WEIGHT

0-50378

DRAWN

MBF