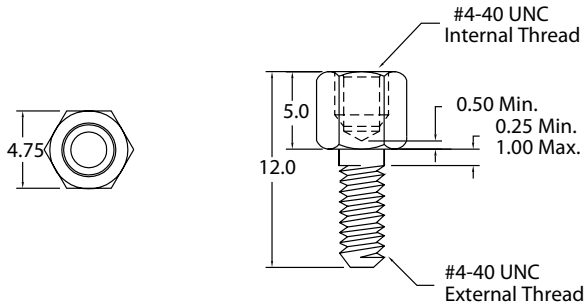


D-Subminiature Hardware

Dimensions in mm

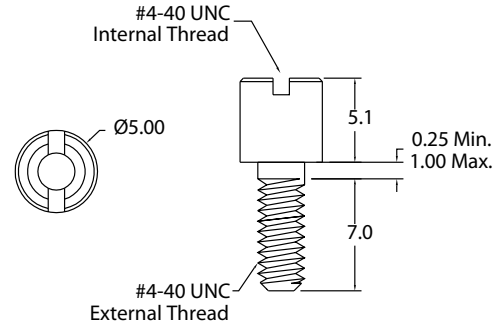
JSX-1000

4-40 Female Hex. Jack Screw Bulk (500/Bag)



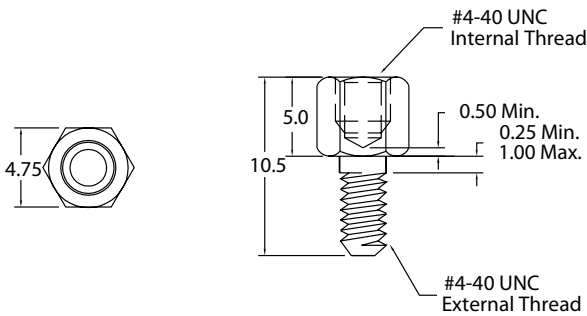
JSX-2000

4-40 Female Round Jack Screw Slotted Bulk (500/Bag)



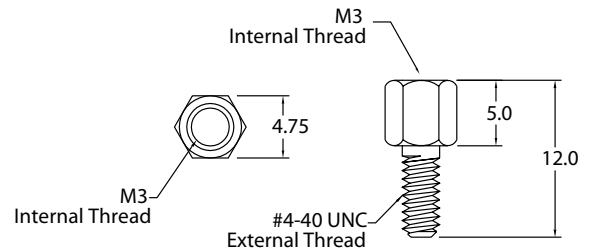
JSX-1055

4-40 Female Hex. Jack Screw Bulk (500/Bag)



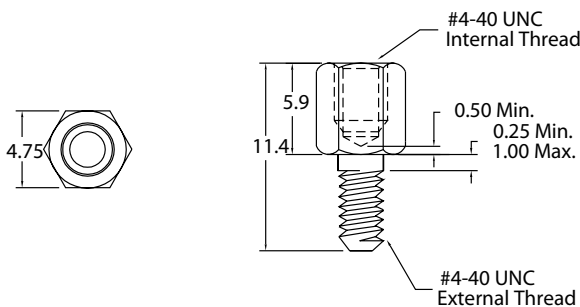
JSX-M3131

4-40 External, M3 Metric Internal Thread Jack Screw Bulk (500/Bag)



JSX-1055-5.9

4-40 Female Hex. Jack Screw Bulk (500/Bag)



JSX-M3131M

M3 External, M3 Metric Internal Thread Jack Screw Bulk (500/Bag)

