

# MICRO SWITCH

A DIVISION OF MINNEAPOLIS-HONEYWELL REGULATOR COMPANY  
ROSEPORT, MINNAPOLIS

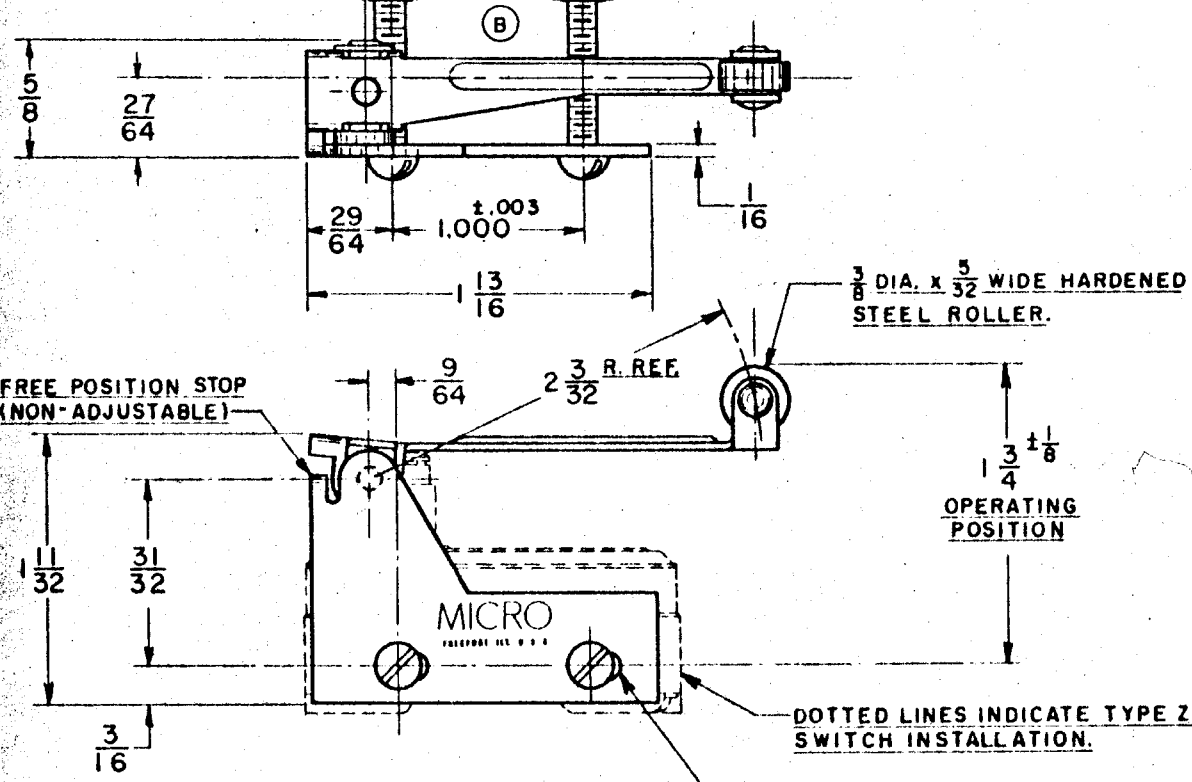
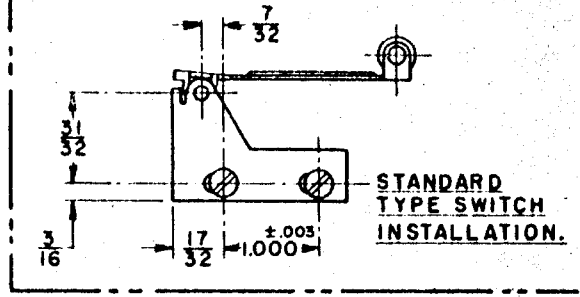
# ACTUATOR-SWITCH

CATALOG LISTING  
**JR**

(2) 6-32 NC x 1 1/4 ROUND HEAD MACHINE SCREW

(2) 6-32 NC HEX. NUT

(2) LOCKWASHER



FREE POSITION STOP (NON-ADJUSTABLE)

HOLES PROVIDED FOR INSTALLING ACTUATOR ON EITHER STANDARD OR TYPE Z SWITCH.

NOTE -  
1- SCREWS, NUTS, AND LOCKWASHERS FURNISHED UNASSEMBLED.

(M) JR ISSUE 9  
 REPLACES  
 JR  
 M  
 DRAWING NUMBER  
 1213  
 ISSUE  
 1 MAR 55  
 CHECK  
 17 FEB 55  
 21 FEB 55  
 17 OCT 54  
 2 MAR 55  
 CHECK  
 17 FEB 55  
 DRAWN  
 R.L.Z. 17 FEB. 55

CHARACTERISTICS	ELECTRICAL DATA		SCALE FULL
	CONTACT ARRANGEMENT	BREAK DISTANCE	DO NOT SCALE PRINT UNLESS OTHERWISE SPECIFIED: DIMENSIONS ARE IN INCHES TOLERANCES ARE
OVERTRAVEL ----- .437 MIN.			FRACTIONS ± 1/32 DECIMALS ± ANGLES ± WEIGHT