

# AC Current Probe Model JM813



The Model JM813 is a high performance AC current probe for higher currents. Excellent transformation and low phase shift, plus a broad frequency response, permit accurate measurements of current and power. The high quality magnetic cores and uniform windings provide for accurate measurements up to 3600A<sub>AC</sub>. The “squared” jaw permits multiple conductor or bus bar positioning. The Model JM813 provides excellent True RMS capabilities and reliable signal reproduction.

The Model JM813 works as a traditional current transformer providing current outputs (mA) over a broad range of transformation ratios. The Model JM813 is designed for use on DMMs, power and harmonic meters, recorders or instruments with AC current ranges.

## Features

- Nominal range: up to 3000A<sub>AC</sub> (continuous cycle for the full temperature range)
- Transformation ratio: 3000:3
- Output: 1mA/A
- Designed for use on DMMs, power and harmonic meters, recorders or instruments with AC current ranges

## Applications

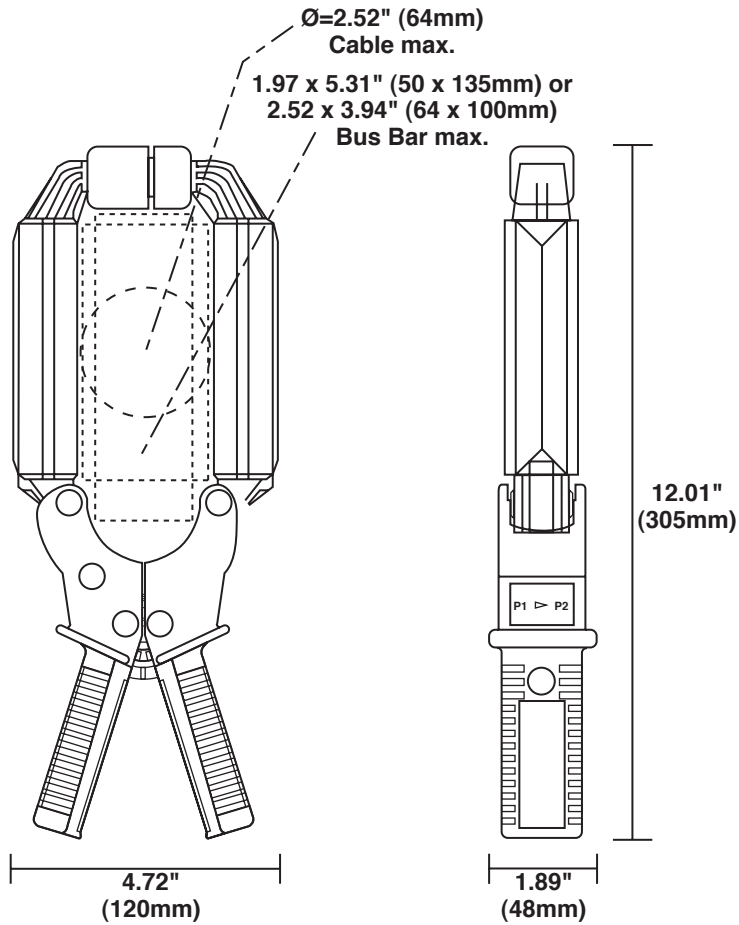
- Field testing
- Electrical utility
- HVAC
- Industrial maintenance
- Laboratory
- Plant maintenance

## Specifications

MODEL	JM813
<b>ELECTRICAL</b>	
Nominal Range	3000A
Measurement Range	1 to 3600A
Transformation Ratio	3000:3
Output Signal	1mA <sub>AC</sub> /A <sub>AC</sub> (3A @ 3000A)
Accuracy (1000A Range)	
150A	1.5% of Reading
600A	0.75% of Reading
3000A	0.5% of Reading
Phase Shift (1000A Range)	
150A	1.5°
600A	0.75°
3000A	0.5°
Overload	3600A for 5 min
Frequency Range	30Hz to 5kHz; current derating above 1kHz for continuous use
Load Impedance	≤0.6Ω
Working/Common Mode Voltage	600V <sub>AC</sub>
Output Termination	5 ft Lead
<b>MECHANICAL</b>	
Operating Temperature	14° to 122°F (-10° to 50°C)
Storage Temperature	-13° to 176°F (-25° to 80°C)
Jaw Opening	3.54" (90mm)
Maximum Conductor Size	Cable: 2.52" Ø max (64mm); Bus bar: 1.97 x 5.31" (50 x 135mm); 2.52 x 3.94" (64 x 100mm)
Dimensions	4.72 x 12.40 x 1.89" (120 x 315 x 48mm)
Weight	2.65 lbs (1200g)
Polycarbonate Material	Handles: 10% fiberglass charged polycarbonate UL94 V0; Jaws: ABS UL V2
<b>SAFETY</b>	
Electrical	EN 61010-2-32
Double Insulation <input type="checkbox"/>	Yes
CE Mark	Yes

Note: Reference conditions:

23°C ± 3°K, 20 to 85% RH, 48 to 65Hz, external magnetic field <40A/m, no DC component, no external current carrying conductor, test sample centered. Load impedance 0.55Ω.



**Jacks:**  
 Two standard  
 safety banana  
 jacks (4mm)

## ORDERING INFORMATION

## CATALOG NO.

AC Current Probe Model JM813 (Jack – 1mA/A – 3000A max) .....	Cat. #2110.93
Includes a user manual	
<b>Accessories (Optional)</b>	
Banana plug adaptor (to nonrecessed plug) .....	Cat. #1017.45
Leads, set of 2, 5 ft safety (1000V) .....	Cat. #2111.29
Banana/BNC Connector XF-SS (4mm banana plug) .....	Cat. #2111.32