

# AC Current Probe Model 810A



The Model JM810A is a high performance AC current probe for higher currents. Excellent transformation and low phase shift, plus a broad frequency response, permit accurate measurements of current and power. The high quality magnetic core and uniform windings provide for accurate measurements up to 2400Aac. The "squared" jaw permits multiple conductor or bus bar positioning. The Model JM810A provides excellent True RMS capabilities and reliable signal reproduction.

The Model JM810A works as a traditional current transformer providing current outputs (mA) over a broad range of transformation ratios. The Model JM810A is designed for use on DMMs, power and harmonic meters, recorders or instruments with AC current ranges.

## Features

- Nominal range: 1 to 2000Aac (continuous cycle for the full temperature range)
- Transformation ratio: 2000:2
- Output: 1mA/A
- Designed for use on DMMs, power and harmonic meters, recorders or instruments with AC current ranges

## Applications

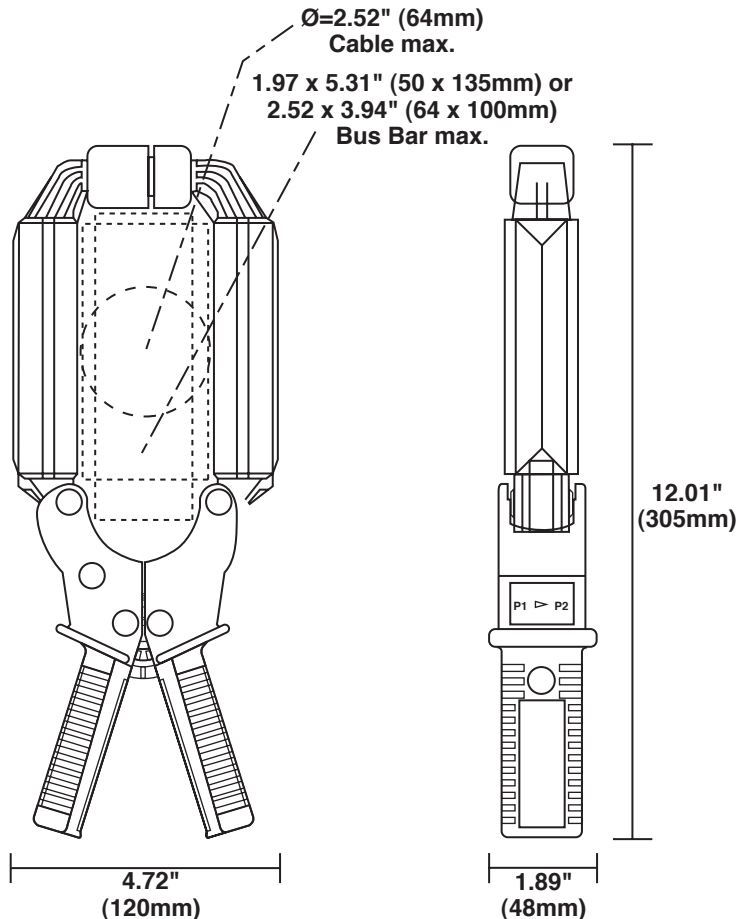
- Field testing
- Electrical utility
- HVAC
- Industrial maintenance
- Laboratory
- Plant maintenance

## Specifications

MODEL	JM810A
<b>ELECTRICAL</b>	
Nominal Range	2000A
Measurement Range	1 to 2400A
Transformation Ratio	2000:2
Output Signal	1mA <sub>AAC</sub> /A <sub>AAC</sub> (2A @ 2000A)
Accuracy (1000A Range)	
100A	2% of Reading
400A	1% of Reading
2000A	0.5% of Reading
Phase Shift (1000A Range)	
100A	1.5°
400A	0.75°
2000A	0.5°
Overload	2400A for 10 min
Frequency Range	30Hz to 5kHz; current derating above 5000Hz for continuous use
Load Impedance	≤1Ω
Working/Common Mode Voltage	600V <sub>AC</sub>
Output Termination	5 ft Lead
<b>MECHANICAL</b>	
Operating Temperature	14° to 122°F (-10° to 50°C)
Storage Temperature	-13° to 176°F (-25° to 80°C)
Jaw Opening	3.54" (90mm)
Maximum Conductor Size	Cable: 2.52" Ø max (64mm); Bus bar: 1.97 x 5.31" (50 x 135mm); 2.52 x 3.94" (64 x 100mm)
Dimensions	4.72 x 12.40 x 1.89" (120 x 315 x 48mm)
Weight	2.65 lbs (1200g)
Polycarbonate Material	Handles: 10% fiberglass charged polycarbonate UL94 V0; Jaws: ABS UL V2
<b>SAFETY</b>	
Electrical	EN 61010-2-32
Double Insulation <input type="checkbox"/>	Yes
CE Mark	Yes

Note: Reference conditions:

23°C ± 3°K, 20 to 85% RH, 48 to 65Hz, external magnetic field <40A/m, no DC component, no external current carrying conductor, test sample centered. Load impedance 0.5Ω.



**Leads:**  
 Double/reinforced  
 5 ft (1.5m) lead  
 with safety 4mm  
 banana plug

ORDERING INFORMATION	CATALOG NO.
AC Current Probe Model JM810A (Lead – 1mA/A – 2000A max) .....	Cat. #2110.80
Includes a user manual	
<b>Accessories (Optional)</b>	
Banana plug adaptor (to nonrecessed plug) .....	Cat. #1017.45
Banana/BNC Connector XF-SS (4mm banana plug) .....	Cat. #2111.32

