

MICRO SWITCH

A DIVISION OF MINNEAPOLIS-HONEYWELL REGULATOR COMPANY

PROBROOK, MASSACHUSETTS

FED. MFR. CODE 913

ACTUATOR - SWITCH

CATALOG LISTING

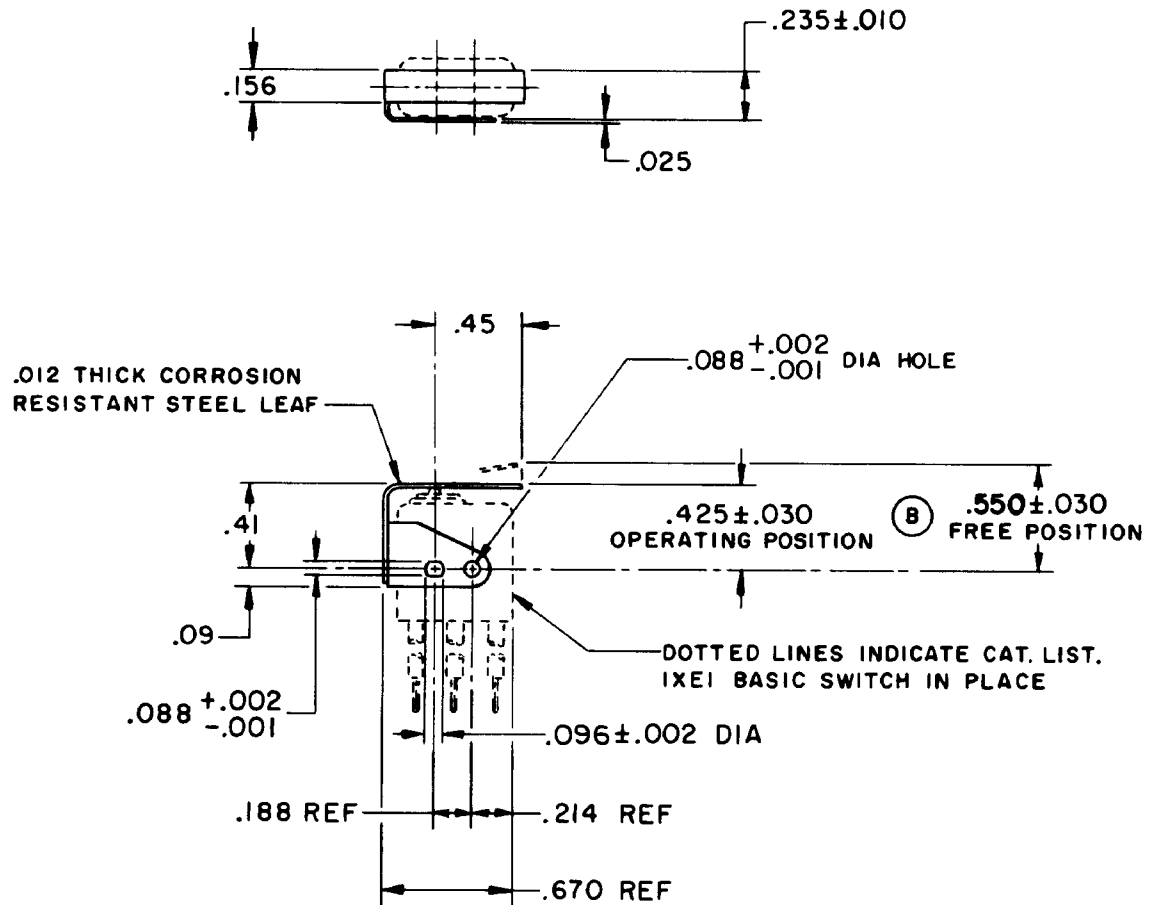
JM - 2

JM-2
 M
 DRAWING NUMBER
 X
 ISSUE
 3
 RELEASE NO. SR 9747
 REPLACES

REVISIONS

A	CO17844	OMW	28 FEB 63		
B	CO18559	VDP	17 OCT 63	24 JULY 61	

CHECK EAS
 DAW
 JUL 61
 JUL 61



THIS DRAWING COVERS A PROPRIETARY ITEM AND IS THE PROPERTY OF MICRO SWITCH, A DIVISION OF MINNEAPOLIS-HONEYWELL REGULATOR CO. THIS DRAWING IS NOT TO BE COPIED OR USED WITHOUT THE APPROVAL OF MICRO SWITCH.

CHARACTERISTICS WITH IXE1 BASIC SWITCH INSTALLED

OPERATING FORCE ----- 21 OZ MAX

RELEASE FORCE ---- (A) --- 3 OZ MIN

DIFFERENTIAL TRAVEL ----- .012 MAX

OVERTRAVEL ----- .009 MIN

ELECTRICAL DATA

CONTACT ARRANGEMENT BREAK DISTANCE

SCALE FULL

DO NOT SCALE PRINT

UNLESS OTHERWISE SPECIFIED
 DIMENSIONS ARE IN INCHES
TOLERANCES ARE:

ONE PLACE	(.0)	±.030
TWO PLACE	(.00)	±.018
THREE PLACE	(.000)	±.008
ANGLES		±

WEIGHT

DRAWN
 O M W 20 JUL 61
 FO-50378