

JC series

Finger operated compact controllers •
non-contacting Hall effect technology



DISTINCTIVE FEATURES

Compact: ideal for keyboard integration

Shallow mounting

Low profile handle

One, two or three axis

Pushbutton handle option



ENVIRONMENTAL SPECIFICATIONS

- Operating Temperature: -25 °C to +70 °C (-13 °F to +158 °F)
- Storage Temperature: -40 °C to +70 °C (-40 °F to +158 °F)



SENSOR SPECIFICATIONS

- Sensor: Hall effect
- Supply voltage range: 5.00 VDC
- Center voltage max: 2.50VDC \pm 50mV
- Supply current max: 10mA per axis
- Transient overvoltage: 16V max
- Reverse voltage protection: -10V
- Response time: 40-80uSEC
- Ratiometric output voltage: See configuration options
- Output current: 5mA per axis
- Electrical MTBF 1,000,000 operational (power on) hours



JC series

Finger operated compact controllers • non-contacting Hall effect technology



MECHANICAL SPECIFICATIONS (X/Y AXIS)

- Deflection force: 0.14lbs. @ 27° @ 2 7/8" above pivot point
- Mechanical travel: ± 28° from center
- Mounting: rear panel
- Panel thickness: 0.500" to .187
- Lever action (centering): Spring"



MECHANICAL SPECIFICATIONS (Z AXIS)

- Breakout torque: .80lbf.in
- Operating torque: 1.07lbf.in
- Maximum torque: 22.13lbf.in
- Mechanical rotation: ± 45°
- Handle action: Spring return to center

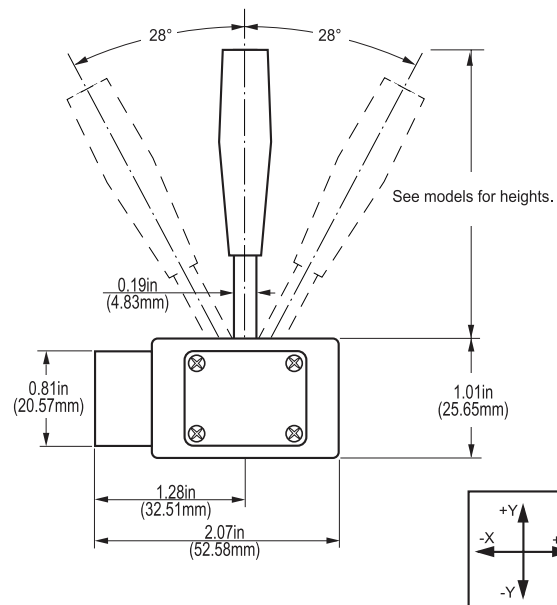
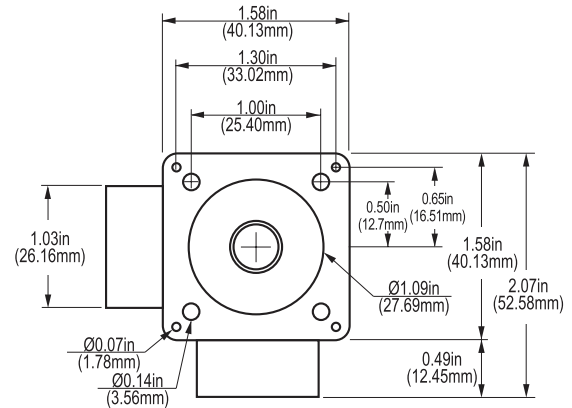


MATERIALS

- Handle: Glass filled nylon
- Body: Glass filled nylon
- Boot: Silicone
- Shaft: 3/16" nickel plated brass
- Main pivot ball: precision ground stainless steel



MOUNTING



WIRING DIAGRAM

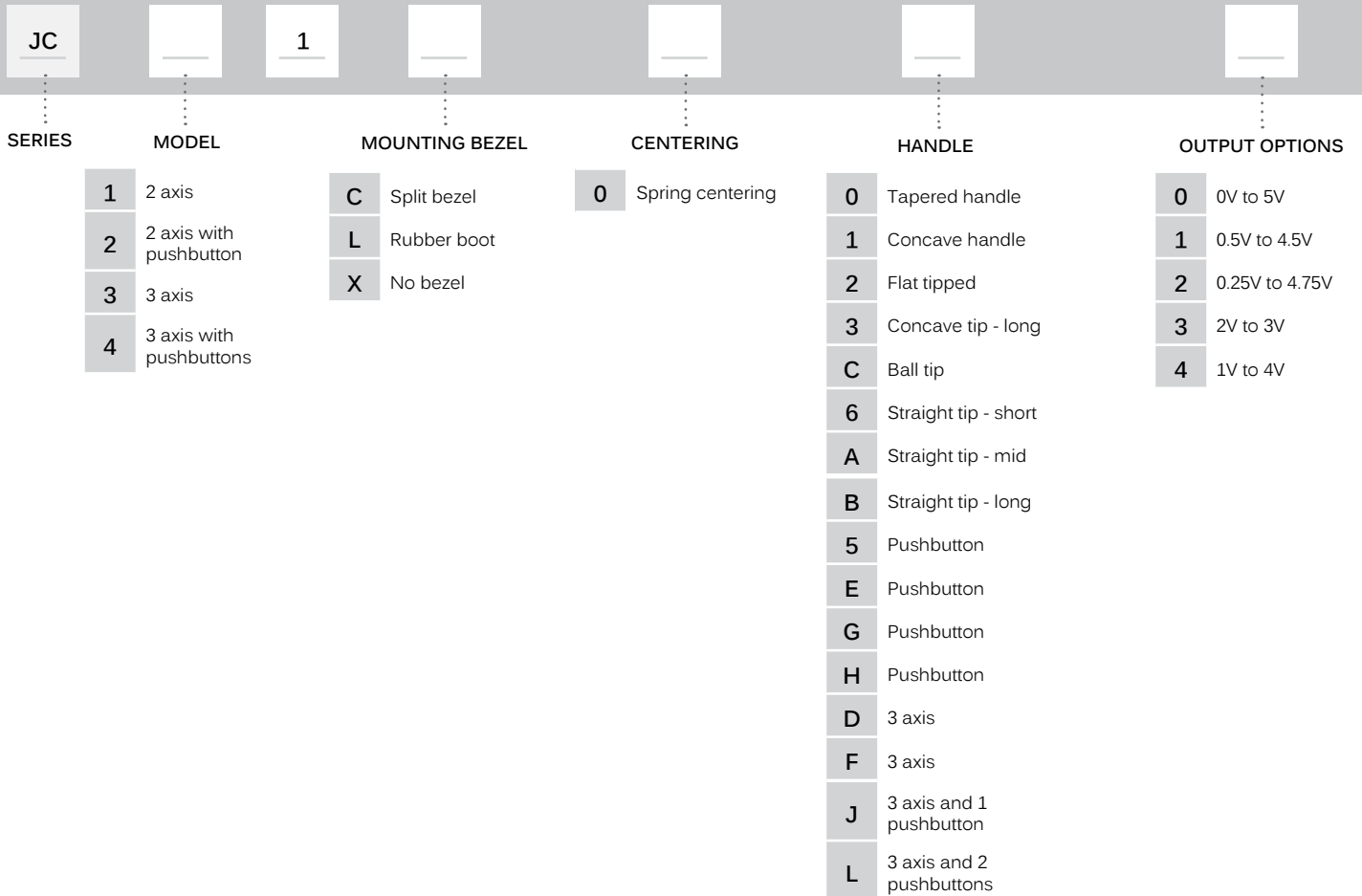
| DEFAULT WIRE COLOR CODE | |
|-------------------------|-------------------|
| COLOR | FUNCTION |
| RED | 5VDC |
| BLACK | GND |
| BLUE | X AXIS |
| YELLOW | Y AXIS |
| GREEN | Z AXIS |
| ORANGE | PUSHBUTTON 1 |
| VIOLET | PUSHBUTTON 2 |
| WHITE | PUSHBUTTON COMMON |

JC series

Finger operated compact controllers • non-contacting Hall effect technology



BUILD YOUR PART NUMBER



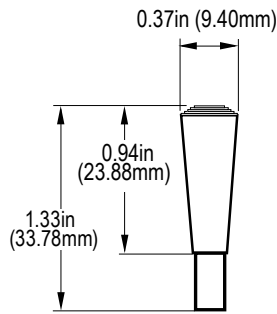
JC series

Finger operated compact controllers •
non-contacting Hall effect technology

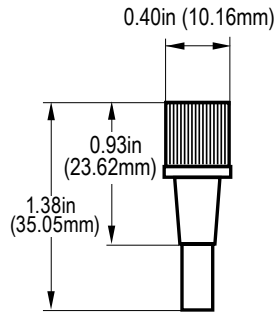


HANDLE OPTIONS

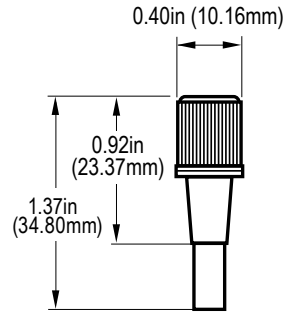
HANDLE 0



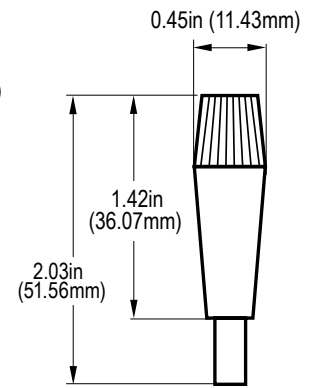
HANDLE 1



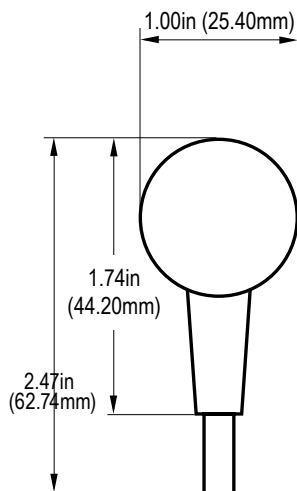
HANDLE 2



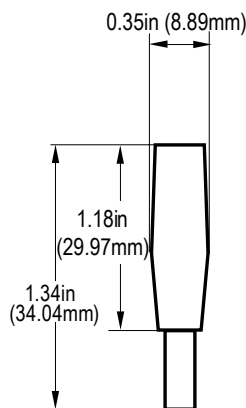
HANDLE 3



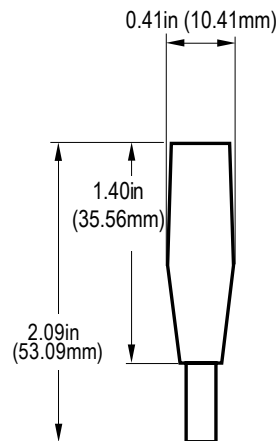
HANDLE C



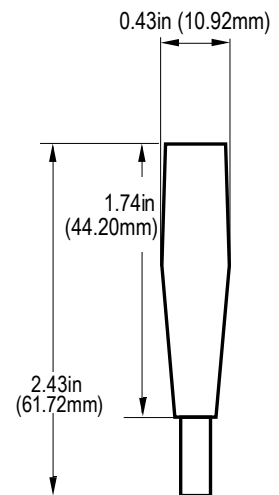
HANDLE 6



HANDLE A

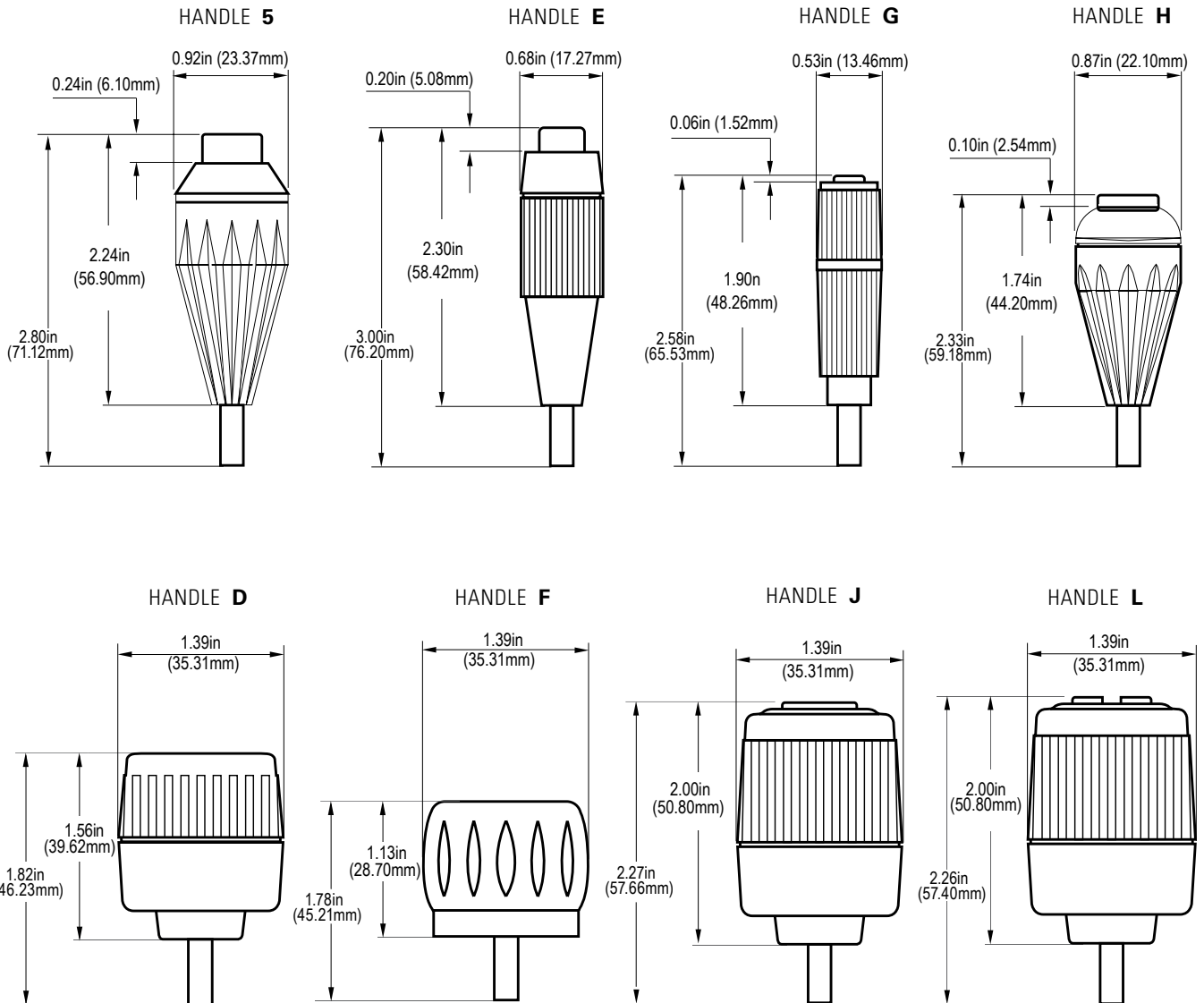


HANDLE B



JC series

Finger operated compact controllers • non-contacting Hall effect technology



Drawing are not to scale.

The company reserves the right to change specifications without notice.