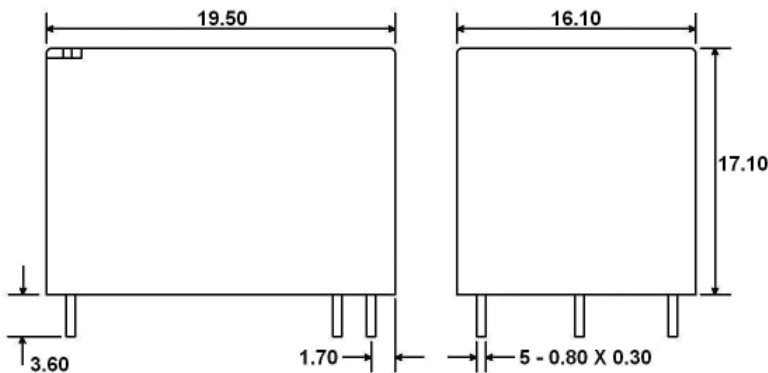


Ordering Information

1. Series	J123F	1C	12VDC	.36
J123F				
2. Contact Arrangement				
1A = SPST N.O.				
1C = SPDT				
3. Coil Voltage				
3VDC				
5VDC				
6VDC				
9VDC				
12VDC				
24VDC				
48VDC				
4. Coil Power				
.36 = .36W				
.45 = .45W				

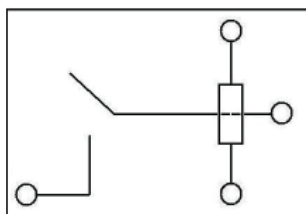
Dimensions

Units = mm

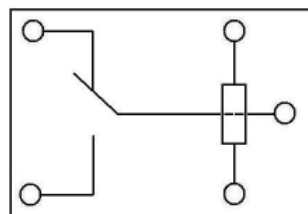


Schematics & PC Layouts

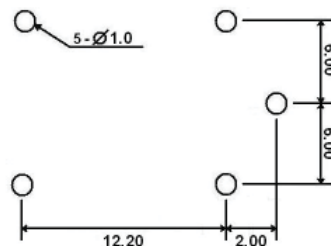
Bottom Views



1A



1C



Specifications and availability subject to change without notice.

Dimensions shown in mm. Dimensions are shown for reference purposes only.