

UL US RoHS Compliant

E197852

31.7 x 26.9 x 20.3 mm

Features

- UL F class rated standard
- Small size and light weight, low coil power consumption
- Heavy contact load, strong shock and vibration resistance
- UL/CUL certified

Contact Data

Contact Arrangement	1A = SPST N.O. 1B = SPST N.C. 1C = SPST
Contact Rating N.O.	40A @ 240VAC Resistive 30A @ 277VAC General Purpose 2hp @ 250VAC
N.C.	30A @ 240VAC Resistive 30A @ 30VDC 20A @ 277VAC General Purpose 1-1/2hp @ 250VAC

Contact Resistance	< 30 milliohms initial
Contact Material	AgSnO ₂ AgSnO ₂ In ₂ O ₃
Maximum Switching Power	9600VA, 1120 W
Maximum Switching Voltage	277VAC, 110VDC
Maximum Switching Current	40A

Coil Data DC Parameters

Coil Voltage VDC		Coil Resistance Ω +/- 10%		Pick Up Voltage VDC (max)	Release Voltage VDC (min)	Coil Power W	Operate Time ms	Release Time ms
Rated	Max	.6W	.9W	75% of rated voltage	10% of rated voltage			
3	3.9	15	10	2.25	.3	.60 .90	15	10
5	6.5	42	28	3.75	.5			
6	7.8	60	40	4.50	.6			
9	11.7	135	90	6.75	.9			
12	15.6	240	160	9.00	1.2			
15	19.5	375	250	10.25	1.5			
18	23.4	540	360	13.50	1.8			
24	31.2	960	640	18.00	2.4			
48	62.4	3840	2560	36.00	4.8			
110	140.3	20167	13445	82.50	11.0			

Coil Data AC Parameters

Coil Voltage VAC		Coil Resistance Ω +/- 10%	Pick Up Voltage VAC (max)	Release Voltage VAC (min)	Coil Power VA	Operate Time ms	Release Time ms
Rated	Max		75% of rated voltage	30% of rated voltage			
12	15.6	27 120 2360 3040 13490 15320 20210	9.00	3.6	2VA	15	10
24	31.2		18.00	7.2			
110	143		82.50	33.0			
120	156		90.00	36.0			
220	286		165.00	66.0			
240	312		180.00	72.0			
277	360		207.00	83.1			

Specifications and availability subject to change without notice.

Dimensions shown in mm. Dimensions are shown for reference purposes only.

J115F1

General Data

Electrical Life @ rated load	100K cycles, typical
Mechanical Life	10M cycles, typical
Insulation Resistance	1000M Ω min. @ 500VDC
Dielectric Strength, Coil to Contact	4000V rms min. @ sea level (H = high dielectric strength option)
	2500V rms min. @ sea level (with Pin 6 removed)
Contact to Contact	1500V rms min. @ sea level
Shock Resistance	200m/s ² for 11 ms
Vibration Resistance	1.50mm double amplitude 10~40Hz
Terminal (Copper Alloy) Strength	10N
Operating Temperature	-55°C to +125°C
Storage Temperature	-55°C to +155°C
Solderability	260°C for 5 s
Weight	30g, 27g (no cover)

Ordering Information

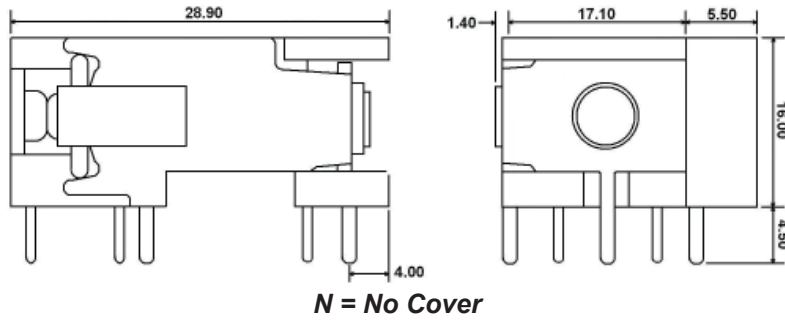
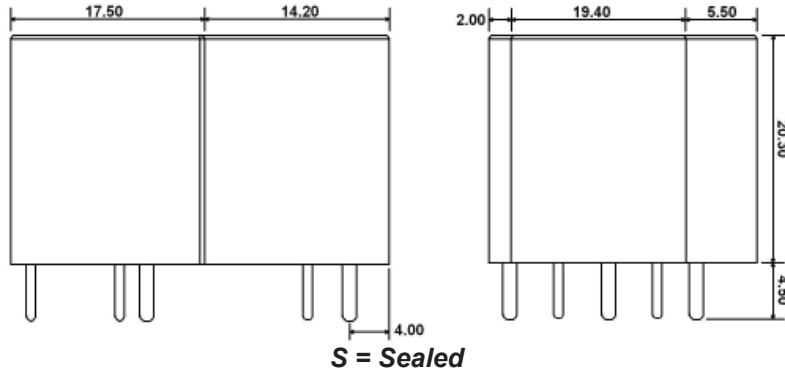
1. Series	J115F1	1C	12VDC	S	6	.6
J115F1						
2. Contact Arrangement	1A = SPST N.O. 1B = SPST N.C. 1C = SPDT					
3. Coil Voltage	3VDC 12VAC 5VDC 24VAC 6VDC 110VAC 9VDC 120VAC 12VDC 220VAC 15VDC 240VAC 18VDC 277VAC 24VDC 48VDC 110VDC					
4. Sealing Options	S = Sealed (standard) N = No cover					
5. Option	None = Pin 6 included 6 = Pin 6 removed H = Pin 6 removed & high dielectric strength resistant					
6. Coil Power	.9 = .9W .6 = .6W Blank = 2VA (AC Coil)					
7. Contact Material	Blank = AgSnO ₂ U = AgSnO ₂ In ₂ O ₃					

Dimensions shown in mm. Dimensions are shown for reference purposes only.

Specifications and availability subject to change without notice.

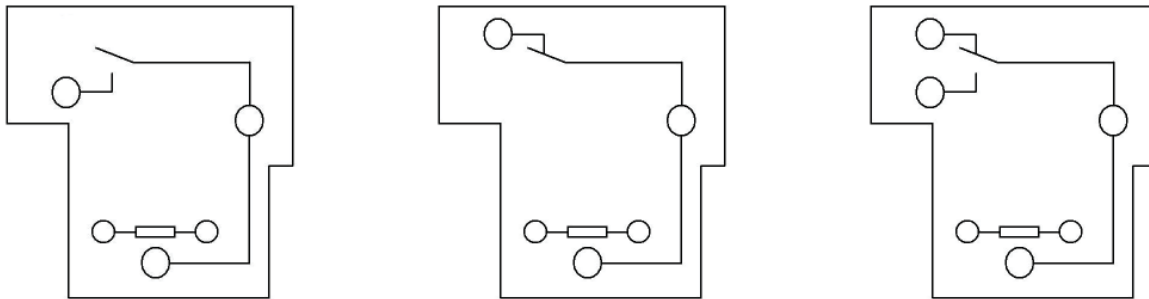
Dimensions

Units = mm



Schematics & PC Layouts

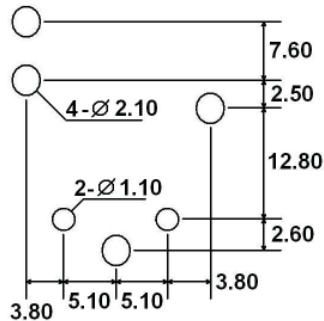
Bottom Views



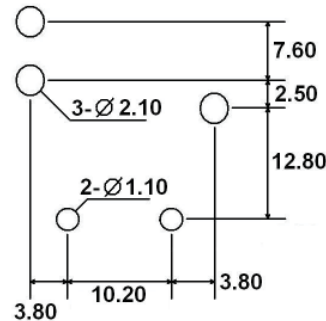
1A

1B

1C



With Pin 6



Without Pin 6

Specifications and availability subject to change without notice.

Dimensions shown in mm. Dimensions are shown for reference purposes only.