

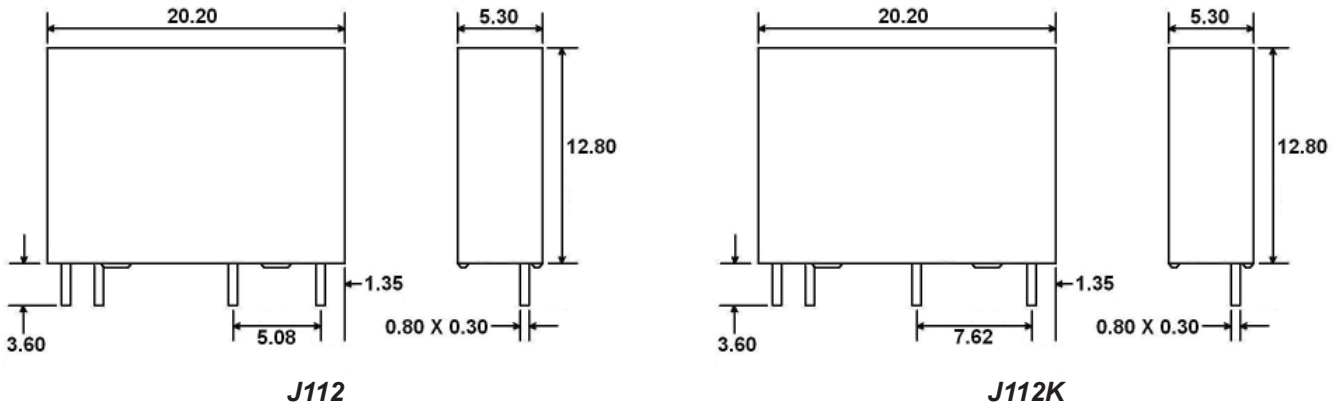
J112

Ordering Information

1. Series	J112	1A	S	12VDC
J112				
J112K				
2. Contact Arrangement	1A = SPST N.O.			
3. Sealing Option	S = Sealed			
4. Contact Voltage	5VDC 6VDC 9VDC 12VDC 18VDC 24VDC			

Dimensions

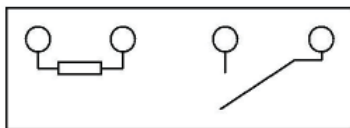
Units = mm



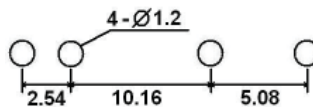
Schematics & PC Layouts

Bottom Views

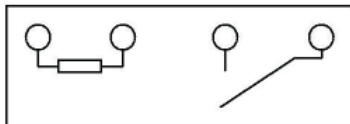
J112



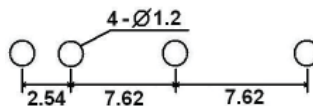
1A



J112K



1A



Dimensions shown in mm. Dimensions are shown for reference purposes only.

Specifications and availability subject to change without notice.