



c **RL** **us** RoHS Compliant

J103

E197851

12.5 x 7.5 x 10.0 mm

Features

- Low coil power consumption
- High sensitivity
- Conforms to FCC part 68
- PC board mounting
- Small size, light weight

Contact Data

Contact Arrangement	1A = SPST N.O. 1C = SPDT	Contact Resistance	< 50 milliohms initial
Contact Rating	2A @ 120VAC 2A @ 24VDC	Contact Material	Ag + Au
		Maximum Switching Power	30W
		Maximum Switching Voltage	125VAC, 60VDC
		Maximum Switching Current	2A

Coil Data

Coil Voltage VDC		Coil Resistance Ω +/- 10%		Pick Up Voltage VDC (max) 75% of rated voltage	Release Voltage VDC (min) 10% of rated voltage	Coil Power W	Operate Time ms	Release Time ms
Rated	Max	.15W	.20W					
3	3.9	60	45	2.25	.3	.15 .20	4.5	1.5
5	6.5	167	125	3.75	.5			
6	7.8	240	180	4.50	.6			
9	11.7	540	405	6.75	.9			
12	15.6	960	720	9.00	1.2			
24	31.2	3840	2880	18.00	2.4			

General Data

Electrical Life @ rated load	100K cycles, typical
Mechanical Life	5M cycles, typical
Insulation Resistance	100M Ω min. @ 500VDC
Dielectric Strength, Coil to Contact Contact to Contact	1500V rms min. @ sea level 1000V rms min. @ sea level
Shock Resistance	100m/s ² for 11 ms
Vibration Resistance	3.30mm double amplitude 10~40Hz
Terminal (Copper Alloy) Strength	5N
Operating Temperature	-40°C to +85°C
Storage Temperature	-40°C to +155°C
Solderability	260°C for 5 s
Weight	2.2g

Caution

1. The use of any coil voltage less than the rated coil voltage may compromise the operation of the relay.

Specifications and availability subject to change without notice.

Dimensions shown in mm. Dimensions are shown for reference purposes only.

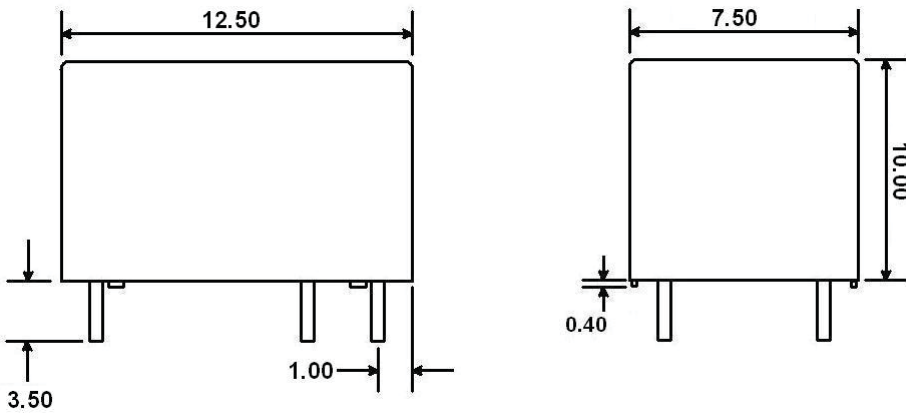
J103

Ordering Information

1. Series	J103	1C	12VDC	.20	S
J103					
2. Contact Arrangement					
1A = SPST N.O.					
1C = SPDT					
3. Coil Voltage					
3VDC					
5VDC					
6VDC					
9VDC					
12VDC					
24VDC					
4. Coil Power					
.15 = .15W					
.20 = .20W					
5. Sealed					
S = Sealed (standard)					

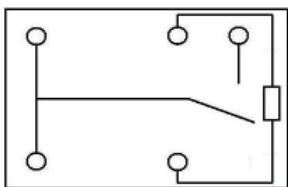
Dimensions

Units = mm

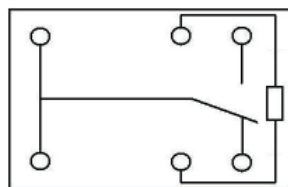


Schematics & PC Layouts

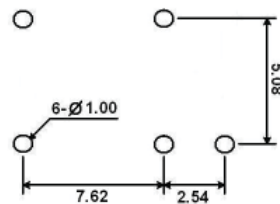
Bottom Views



1A



1C



Dimensions shown in mm. Dimensions are shown for reference purposes only.

Specifications and availability subject to change without notice.