

Modular Freestanding Enclosures - NEMA 12

IPC Series PC Enclosure

Modular Freestanding



Window Door



Solid Door

Application

- The IPC product line provides users with a rugged housing for industrial control, operator interface and computer equipment in harsh industrial environments.
- Modular design permits joining of units for large scale and mixed use applications.
- Increasingly, PC technology is utilized on the factory floor. The PC enclosure provides a secure housing for standard PC components.
- A broad range of industry standard sizes are offered. Units are constructed to imperial dimensions and hardware sizes, with metric sizing provided for convenient reference.

Standards

- UL 508 Type 12
- CSA Type 12
- **Complies with**
 - NEMA Type 12
 - IEC 60529 IP54

Standard Configuration

- Frame with integral solid top
- Provision for lifting eyebolts (included)
- 4 internal mounting rails
- Removable bottom panel
- Top window or solid door with key locking handle
- Monitor shelf (window door version)
- Drop down keyboard door with locking hardware
- Self contained keyboard compartment
- Pull-out keyboard shelf with left/right mouse tray
- Solid bottom door with key locking handle
- Solid full-height rear door with key locking handle
- Pair of solid side panels

Construction

- Formed 14 gauge steel.
- Frame features welded corner reinforcements.
- Oil resistant gaskets are permanently secured on all openings.
- Frames are easily joined together with an optional joining kit.
- Doors can be easily removed.
- Formed 16 gauge steel side panels are recessed to fit flush with the sides of the cabinet.
- Bonding and grounding studs are provided for all doors and handles.

Finish

- Phosphatized and finished in RAL 7032 beige powder coating.
- Monitor shelf is finished in RAL 7032 beige powder coating.
- Keyboard door is finished in black powder coating.

Accessories

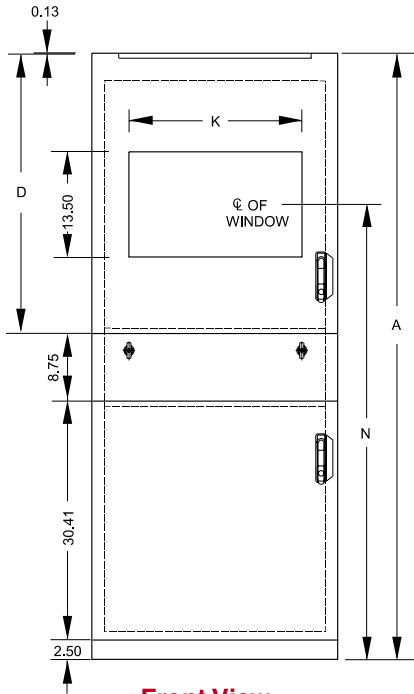
- Base inner panel...*see page 242*
- Caster assembly-inside mounting...*see page 246*
- Caster assembly-outside mounting...*see page 246*
- Door shelf...*see page 243*
- Fixed vented shelf...*see page 242*
- Fold down shelf...*see page 243*
- Joining kit...*see page 240*
- Leveling feet...*see page 244*
- Light kit and accessories...*see page 245*
- Literature pocket...*see page 244*
- Plinth...*see page 243*
- Power bars...*see page 438-441*
- Printer shelf...*see page 242*
- Server shelf...*see page 242*
- Tamper resistant screws...*see page 245*
- Vented raised top...*see page 240*
- Top mount fan...*see page 415*

Modular Freestanding Enclosures - NEMA 12

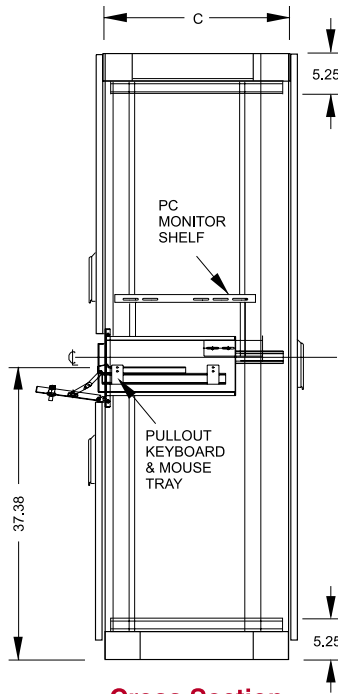
IPC Series PC Enclosure

Modular Freestanding

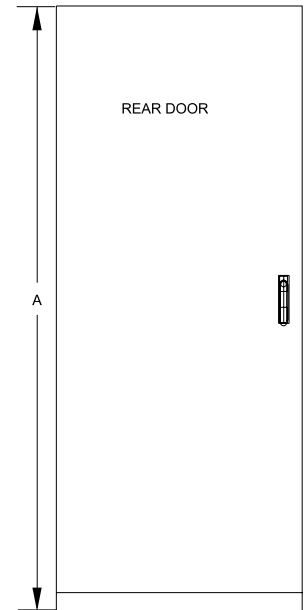
PC Enclosures



Front View



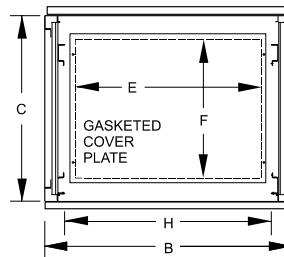
Cross Section Side View



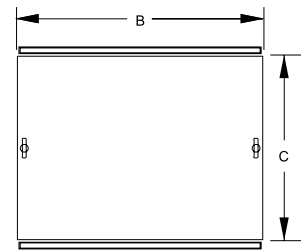
Rear View

Keyboard Dimensions

Enclosure Width (mm)		Maximum Keyboard Width
700	inch mm	20.0 508
800	inch mm	24.0 610



Cross Section - Bottom View



Top View
Doors Installed

Window Door Part No.	Solid Door Part No.	Nominal Dimensions A x B x C (mm)	Overall Dimensions										Ship Wt. lbs
			A	B	C	D	E	F	H	K	N		
IPC1676	IPC1676ST	1600 x 700 x 600	inch	70.31	28.00	23.63	26.66	17	10.5	22.8	18	54	340
			mm	1786	711	600	677	432	267	579	457	1372	
IPC1678	IPC1678ST	1600 x 700 x 800	inch	70.31	28.00	31.50	26.66	17	17.5	22.8	18	54	355
			mm	1786	711	800	677	432	445	579	457	1372	
IPC1686	IPC1686ST	1600 x 800 x 600	inch	70.31	31.50	23.63	26.66	24	10.5	26.3	22	54	350
			mm	1786	800	600	677	610	445	668	559	1372	
IPC1876	IPC1876ST	1800 x 700 x 600	inch	77.31	28.00	23.63	33.66	17	10.5	22.8	18	58	355
			mm	1964	711	600	855	432	267	579	457	1473	
IPC1878	IPC1878ST	1800 x 700 x 800	inch	77.31	28.00	31.50	33.66	17	17.5	22.8	18	58	380
			mm	1964	711	800	855	432	445	579	457	1473	
IPC1886	IPC1886ST	1800 x 800 x 600	inch	77.31	31.50	23.63	33.66	24	10.5	26.3	22	58	370
			mm	1964	800	600	855	610	267	668	559	1473	