

IKN series

Surface mount DIP switches

Distinctive features

Low profile

- The lowest case available in 2, 4, 6 and 8 pole versions
- Reduction of the shadow effect in IR soldering
- 30 % reduction of component volume

Two versions

Surface mount models

- Designed for reflow soldering
- UL 94-V0 high temperature materials
- Tin plated terminals

Through-hole models

- Same thermal specifications as SMT models, allowing mixed soldering process



Washable by construction

- Moulded-in terminals
- Ultrasonic-welded case
- Two slots on case corners allowing removal of protection tape

Reliable contacts

- Anti-crush system on moving contact
- Bifurcated self-cleaning sliding contacts
- Positive detent actuation
- Recessed slide actuators preventing accidental actuation
- Good visibility of actuators : black slide on clear background

Two types of packaging

Surface mount models

- Tape and reel (1.000 pieces per reel) - IC tubes

Through-hole models

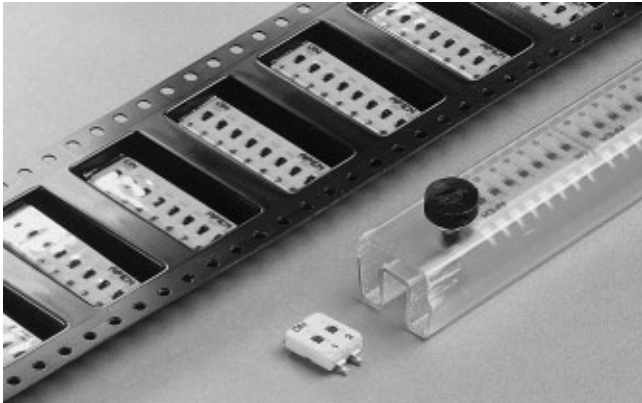
- IC tubes

Dimensions : first dimensions are in mm while inches are shown as bracketted numbers.

IKN series

Surface mount DIP switches

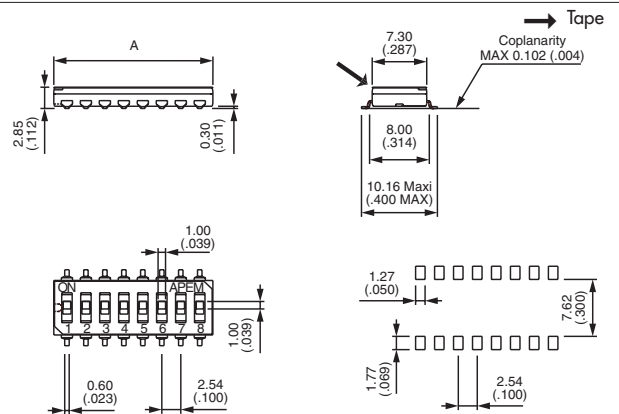
Very low profile



- Very low profile : 2,85 mm (.112)
- Self-cleaning wiping contacts
- Recessed actuator with positive detent
- Tin plated terminals
- Process compatible - withstand IR and vapor phase reflow soldering
- Washable

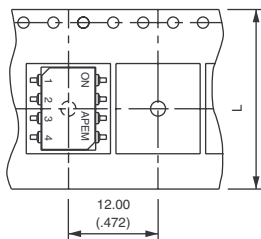
| Tape & reel | IC tubes | No pos. | Dimension "A" |
|-------------|------------|---------|---------------|
| IKN0204000 | IKN0203000 | 2 | 6 (.236) |
| IKN0404000 | IKN0403000 | 4 | 11,10 (.437) |
| IKN0604000 | IKN0603000 | 6 | 16,20 (.637) |
| IKN0804000 | IKN0803000 | 8 | 21,30 (.838) |

Supplied with all poles in "ON" position.
Other models (3, 5 and 7 positions) : on request

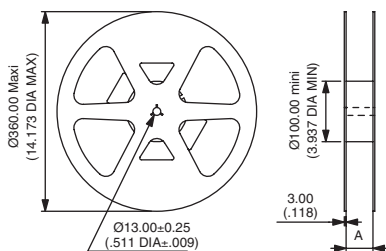


PACKAGING

Unrolling direction →



| Pos. | Tape dim. "L" | Reel dim. "A" |
|------|---------------|---------------|
| 2 | 16 (.629) | 16,40 (.646) |
| 4 | 24 (.944) | 24,40 (.960) |
| 6 | 24 (.944) | 24,40 (.960) |
| 8 | 32 (1.259) | 32,40 (1.275) |



SPECIFICATIONS

- Max. current/voltage rating :
 - switching : 100mA 24VDC
 - non-switching : 100mA 48VDC
- Contact resistance :
 - initial : 30 mΩ max.
 - after 2.000 cycles : 100 mΩ max.
- Insulation resistance : 1.000 MΩ min. at 500VDC
- Dielectric strength : 500 VAC min.
- Electrical life : 2.000 cycles
- Travel : 0,67 mm (.026)
- Operating temperature : -40°C to +100°C
- Storage temperature : -40°C to +125°C

MATERIALS

- Case and actuator : UL 94-V0 thermoplastic
- Stationary contact : bronze, gold plated over nickel barrier
- Moving contact : beryllium copper, gold plated
- Terminals : tin plated over nickel barrier
- Protection tape : polyimide

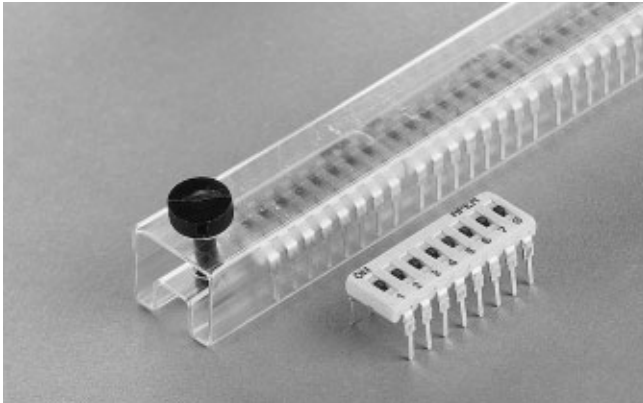
Antistatic packaging - Standard packaging units :

- Reels of 1.000 pieces
- Tape meeting international standard IEC - Publication 286-3 (EIA481A)
- Start leader : 400 mm min. - End leader : 160 mm
- IC tubes : see next page.

IKN series

Through-hole DIP switches

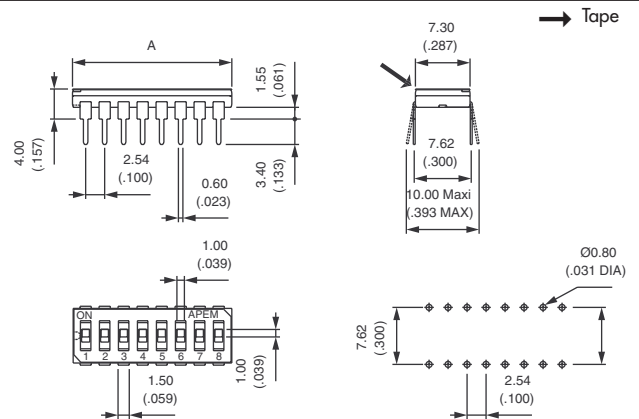
Low profile



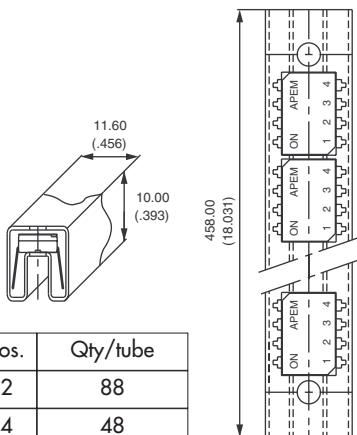
- Low profile : 4 mm (.156)
- Self-cleaning wiping contacts
- Recessed actuator with positive detent
- Tin plated terminals
- Wave solderable
- Washable

| Model No | No pos. | Dimension "A" |
|------------|---------|---------------|
| IKN0200000 | 2 | 6 (.236) |
| IKN0400000 | 4 | 11,10 (.437) |
| IKN0600000 | 6 | 16,20 (.637) |
| IKN0800000 | 8 | 21,30 (.838) |

Supplied with all poles in "ON" position.
Other models (3, 5 and 7 positions) : on request



PACKAGING



| Pos. | Qty/tube |
|------|----------|
| 2 | 88 |
| 4 | 48 |
| 6 | 33 |
| 8 | 25 |

IC TUBES

SPECIFICATIONS

- Max. current/voltage rating :
 - switching : 100mA 24VDC
 - non-switching : 100mA 48VDC
- Contact resistance :
 - initial: 30 mΩ max.
 - after 2.000 cycles : 100 mΩ max.
- Insulation resistance : 1.000 MΩ min. at 500VDC
- Dielectric strength : 500 VAC min.
- Electrical life : 2.000 cycles
- Travel : 0,67 mm (.026)
- Operating temperature : -40°C to +100°C
- Storage temperature : -55°C to +125°C

MATERIALS

- Case and actuator : UL 94-V0 thermoplastic
- Stationary contact : bronze, gold plated over nickel barrier
- Moving contact : beryllium copper, gold plated
- Terminals : tin plated over nickel barrier
- Protection tape : polyimide