

# SEPA<sup>®</sup> CHIP-COOLER

HXB25B12 HXB30E12 HXB40H12 HXB50E12



## ACTIVE COOLER

- **Distinguishing features**

The coolers have very compact dimensions. The ball bearing fan on the heat tank suctions in air then pulling it downward and distributes it with optimum cooling over the heat sink. Easiest mounting by using adhesive.

- **Extremely low power input**

The fans of the latest generation achieve a maximum flow rate with low operating current.

- **Maximum reliability and life expectancy**

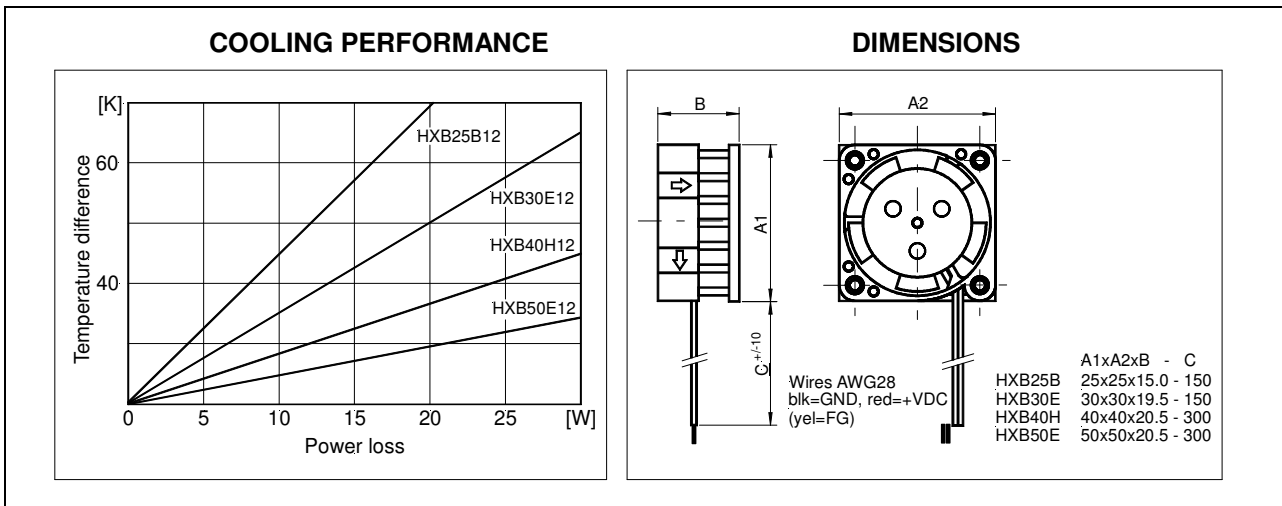
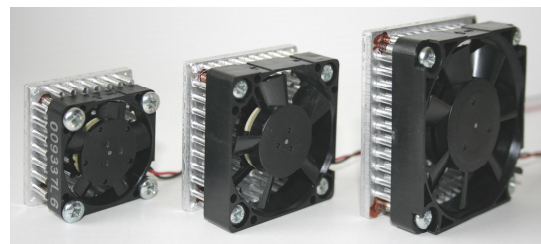
The motor is electronically commutated. A special IC controls the motor winding. Exceptionally high reliability is achieved by the 100% burn-in.

- **Silent**

Optimization of flow rate and noise level by computer-supported development of the blade geometry.

- **Optional tachometer output**

A FG-output is available if required for monitoring the fan speed.



## PERFORMANCE

<b>CE</b>	HXB25B12	HXB30E12	HXB40H12	HXB50E12
Operating Voltage [V]	4.5 - 5.5	4.5 - 5.5	4.5 - 5.5	4.5 - 5.5
Typ. Operating Current [mA]	30	40	50	50
Max. Start Current [mA]	80	70	130	140
Thermal Resistance [K/W]	3.7	2.5	1.6	1.1
Typ. Noise @ 1m [dB(A)]	20	25	21	29
Operating Temperature [°C]	-10... +80			
Typ. Rotor Speed [min <sup>-1</sup> ]	11000	9000	5500	4800
FG Output [Imp/R]	on request			
Life Expect. <sub>10</sub> /MTBF/40°C [h]	75000 / 350000			
Bearing System	2 ball bearings ZZ			
Weight [g]	11	23	37	55
Packing Quantity [pc]	50	50	50	40

