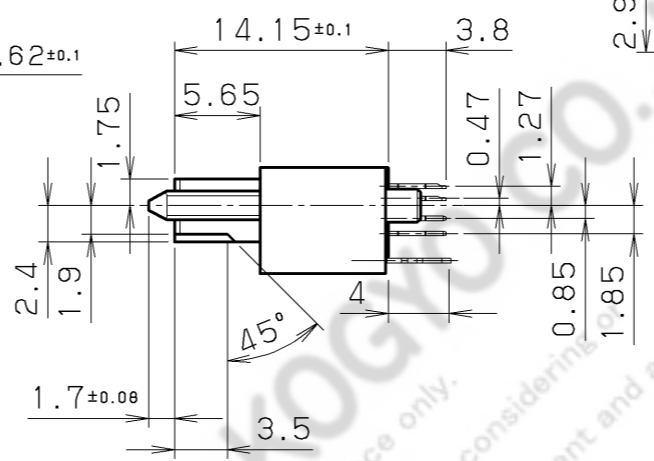
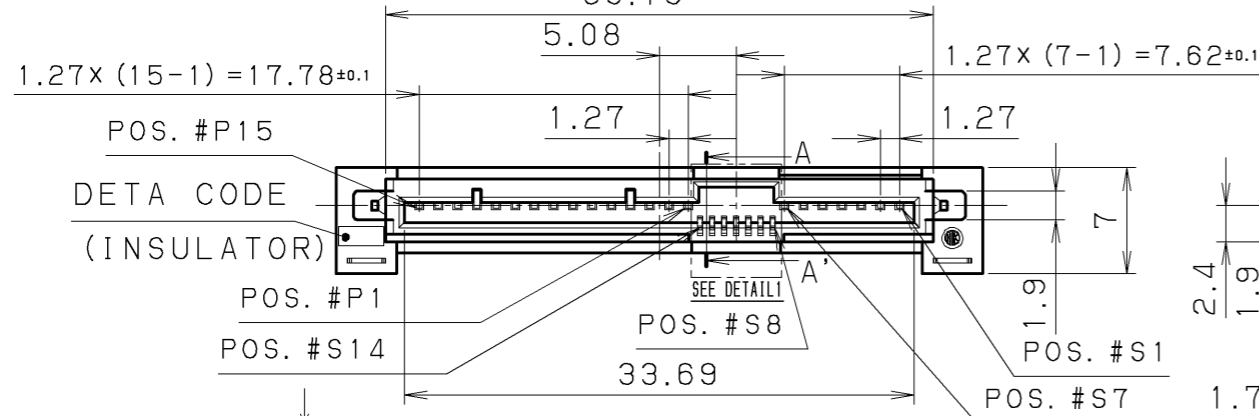
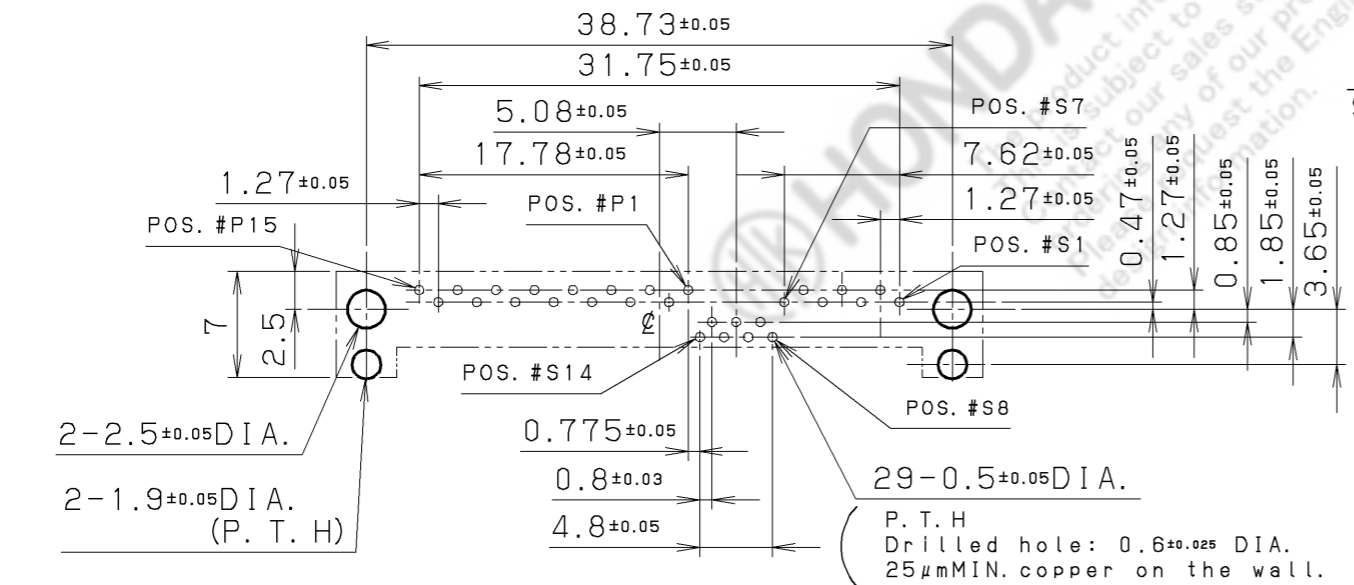
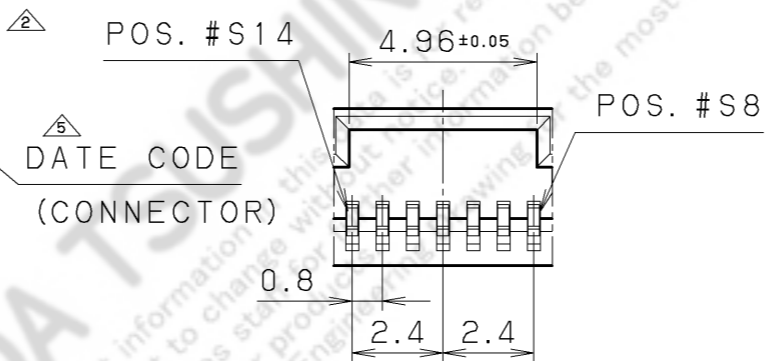
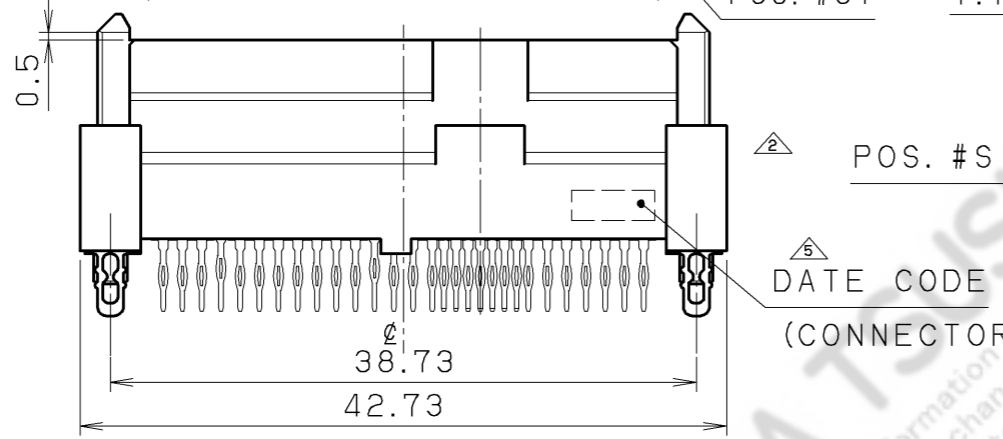


SECTION A-A'
SCALE 5:1



DETAIL 1
SCALE 5:1



RECOMMENDED P.C.B. LAYOUT
PCB THICKNESS: 3.0±0.15mm
(Connector side)

NOTE:

- CONTACT PLATING:
CONTACT AREA: GOLD 0.2µm MIN.
TERMINATION AREA: GOLD 0.05µm MIN.
ALL OVER NICKEL UNDERPLATED.
- CONNECTOR PIN ASSIGNMENTS

•S1 - GROUND	•P1 - 3.3V
•S2 - RP+	•P2 - 3.3V
•S3 - RP-	•P3 - 3.3V
•S4 - GROUND	•P4 - GROUND
•S5 - TP-	•P5 - GROUND
•S6 - TP+	•P6 - GROUND
•S7 - GROUND	•P7 - 5V
•S8 - GROUND	•P8 - 5V
•S9 - RS+	•P9 - 5V
•S10 - RS-	•P10 - GROUND
•S11 - GROUND	•P11 - GROUND
•S12 - TS-	•P12 - GROUND
•S13 - TS+	•P13 - 12V
•S14 - GROUND	•P14 - 12V
	•P15 - 12V

△	Oct. 12, 2007	M. Kasahara	ADD DETA CODE							
△	Jun. 1, 2006	M. Kasahara	ADD DETAILS MATERIAL							
△	Jun. 16, 2005	K. Kuvana	Change Shape	3	BOARD LOCK	PHOSPHOR BRONZE	2	NICKEL PLATING		
△	Mar. 2, 2005	K. Kuvana	Change Shape	2	CONTACT	PHOSPHOR BRONZE	29	SEE NOTE#1		
△	Feb. 28, 2005	K. Kuvana	Change Note 2.	1	INSULATOR	PA9T	1		UL94V-0 BLACK	

改版 LTR.	年月日 DATE	変更者 BY	変更内容 REV. DESCRIPT	番号 No.	部品名称 PART NAME	材質 MATERIAL	個数 QTY	処理 FINISH	備考 NOTE
---------	----------	--------	--------------------	--------	----------------	-------------	--------	-----------	---------

年月日 DATE	尺度 SCALE	単位 UNIT	3角法	本多通信工業株式会社					
FEB.07 (2005)	2 / 1	mm (INCH)	3RD. A. P	HONDA TSUSHIN KOGYO CO., LTD.					
製 DR.	設 DE.	計 CHK.	検 CHK.	承認 APP.	名称 NAME	SERIAL ATTACHED SCSI HOST RECEPTACLE CONNECTOR (EXTENDED HEIGHT PRESS IN)			
M. KASAHARA	M. KASAHARA	K. TAKAHASHI		K. KASAI	製番 PART NO.	HSAS-SP29SFPHG+			REV. 5E