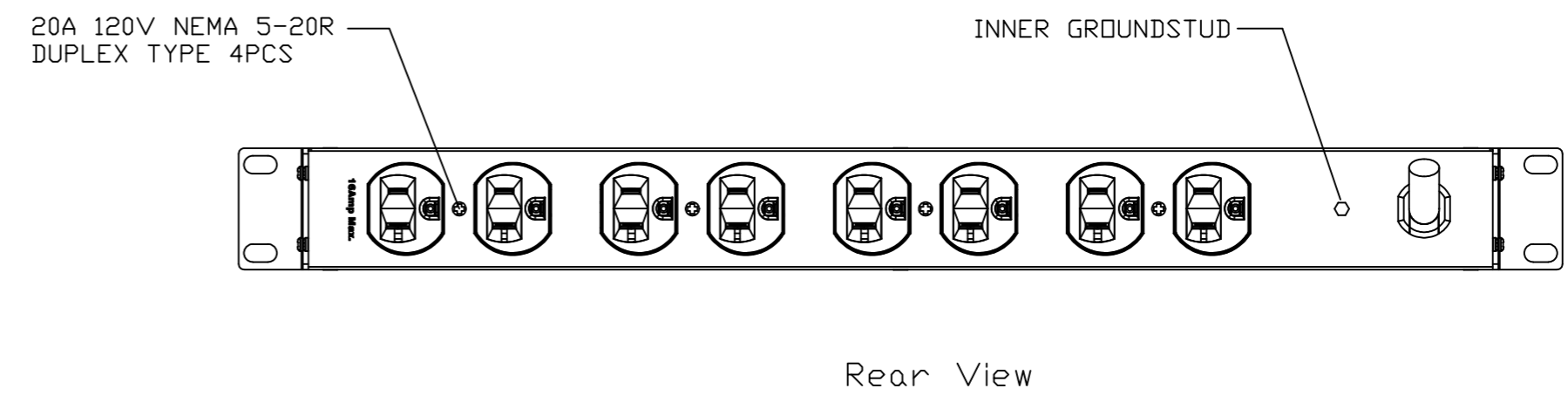
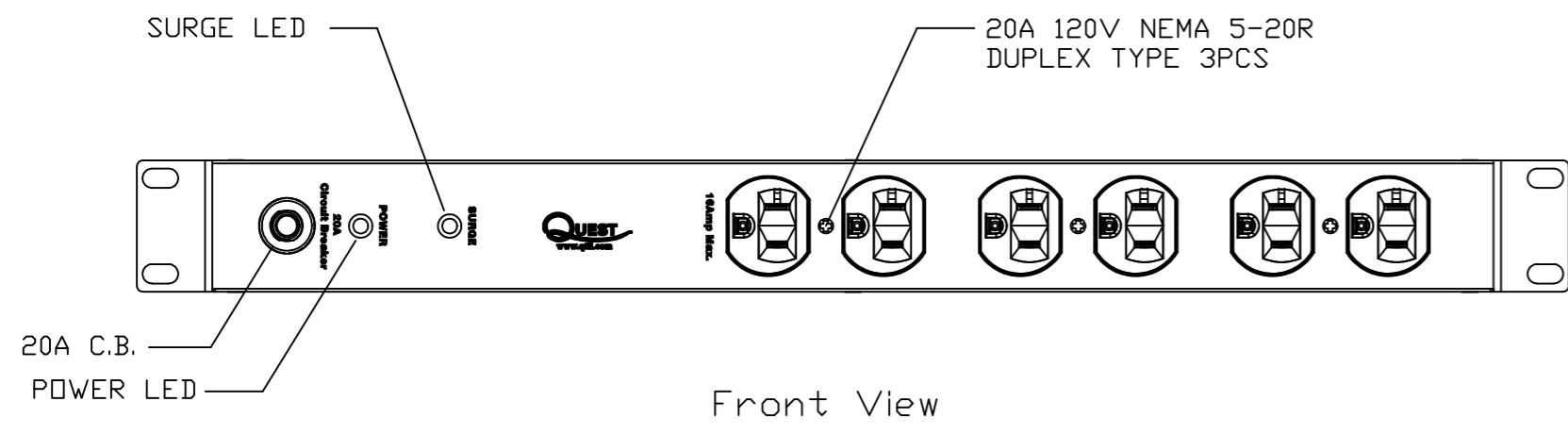
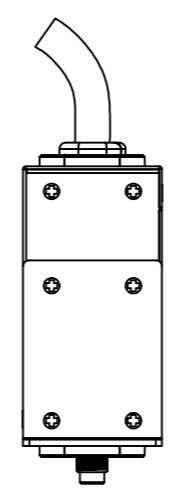
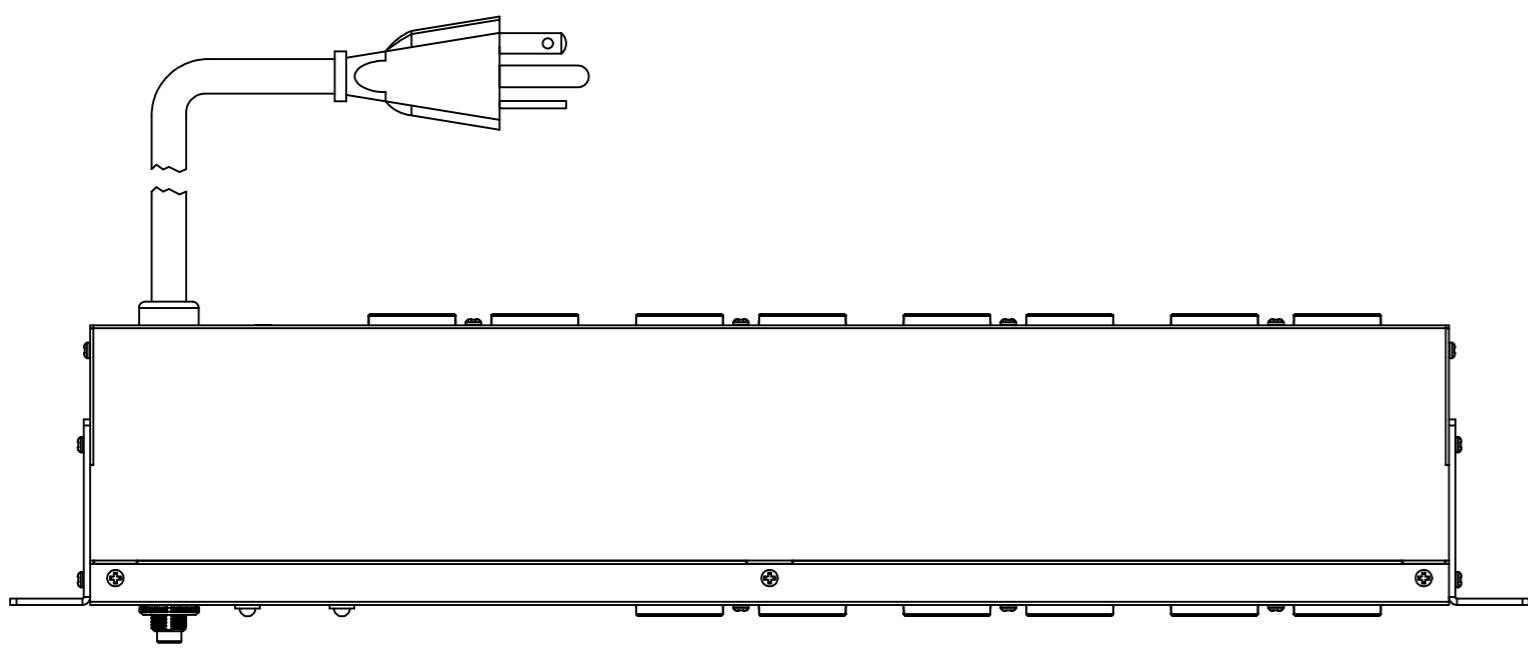
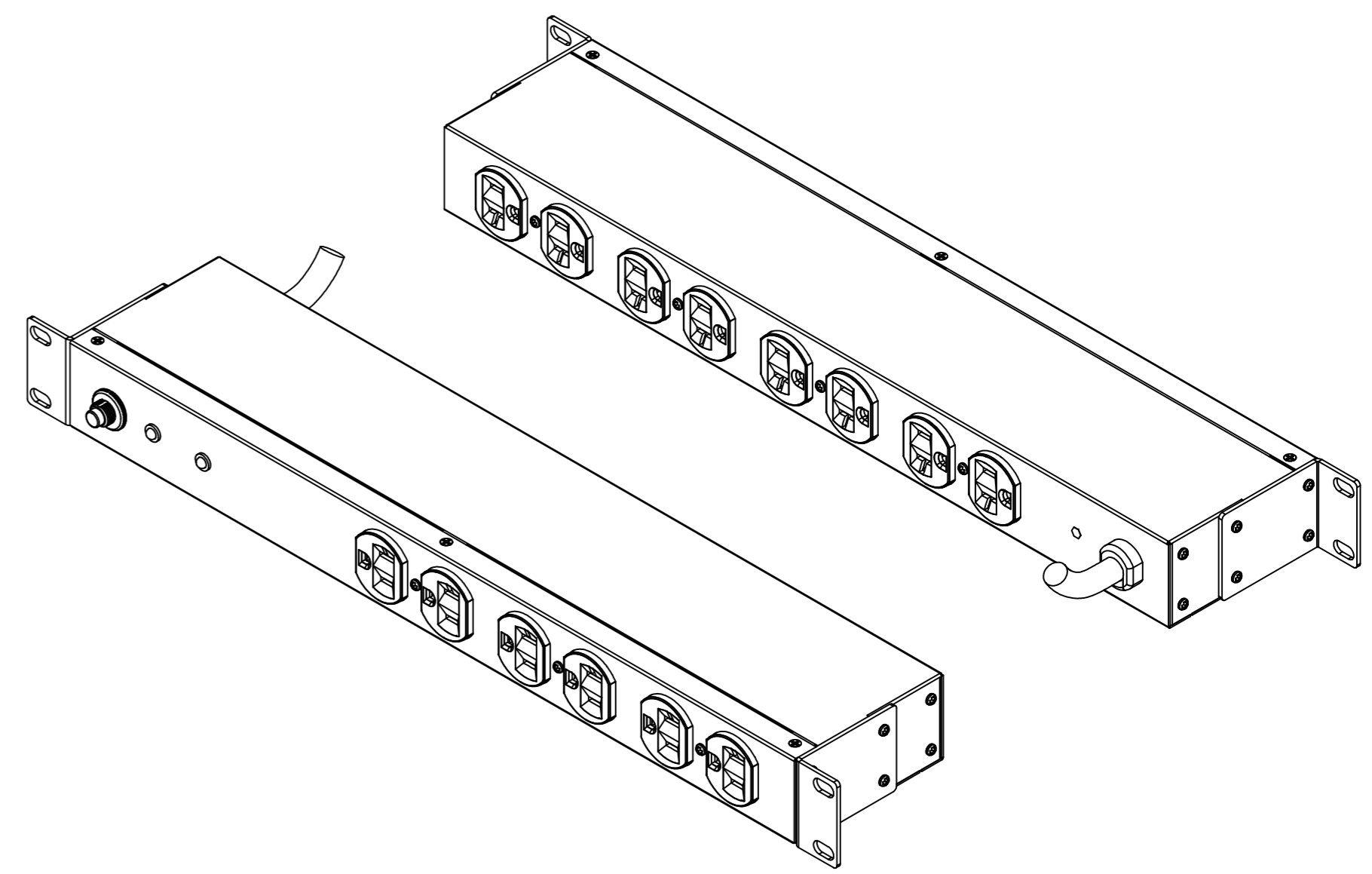
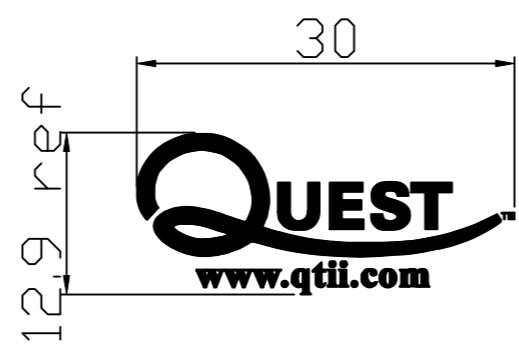


FILE NO: W459

VER	DATE	UPDATE	APP'D
A	2014/05/07	release	JSL

**19" PDU w/14 AC Outlets**

Part Number.....	HPS-E14
Mounting.....	Horizontal
AC Rating Volts.....	120Vac
AC Rating Amps.....	16Amp
AC Rating Watts.....	1920W
AC Rating Frequency-Hz.....	50/60 HZ
Switch With Circuit Breaker.....	20A
Surge Level.....	A3 (Including EMI Protection)
Joule Rating.....	1050J
Surge Indicator.....	Green LED
Power Cable AWG.....	12/3C SJT
Power Cable Length.....	6 ft
Power Indicator.....	Red LED
Plug Type.....	NEMA 5-20P
Receptacle Type.....	NEMA 5-20R
Receptacle Quantity.....	14
Max. Output Per Outlet.....	16Amp
UL Rating.....	60950-1
Certification/Agency Approvals.....	UL



DRAWN	NAME	DATE	DIMENSION TOLERANCE	MATERIAL	QUEST	⊕
TYC	TYC	2014/05/07	X±0.3 .X±0.1	-	HPS-E14 with silkscreen	⊕
APP'D	JSL	2014/05/07	.XX±0.05 X'±2" .X'±.5"	SHEET		
SCALE: 1:2	VERSION: A			OF	DRAW NO: TBD	