



Main

Range of product	Magelis STO & STU
Product or component type	Touch panel screen
Software designation	Vijeo XD
Operating system	Magelis

Complementary

Display size	4.3 inch
Display type	Colour TFT LCD
Display colour	65536 colours
Display resolution	480 x 272 pixels
Touch panel	Analogue
Backlight lifespan	50000 hours with white
Brightness	16 levels via touch panel
Character font	Chinese (simplified Chinese) Cyrillic Taiwanese (traditional Chinese) Korean Japanese (ANK, Kanji) ASCII (European characters)
[Us] rated supply voltage	12...24 V DC - 10...20 %
Power consumption in W	7.5 W
Number of pages	8999
Memory description	Application memory, 26 MB Back up of data, 512 kB
Integrated connection type	1 USB 2.0 type mini B 1 USB 2.0 type A 1 9-pin terminal block connector serial link with RS232C interface at 2400...115200 bps
Supply	External source
Realtime clock	With RTC-battery set (optional)
Downloadable protocols	Modbus

	Third party protocols
Range compatibility	Siemens Omron Allen-Bradley Mitsubishi
Fixing mode	By 2 installation fasteners on 1.5 to 6 mm thick panel
Enclosure material	PPT
Front material	Plastic
Cut-out dimensions	77.5 x 112.5 mm 66 x 105 mm (with mounting adaptor)
Product weight	0.22 kg

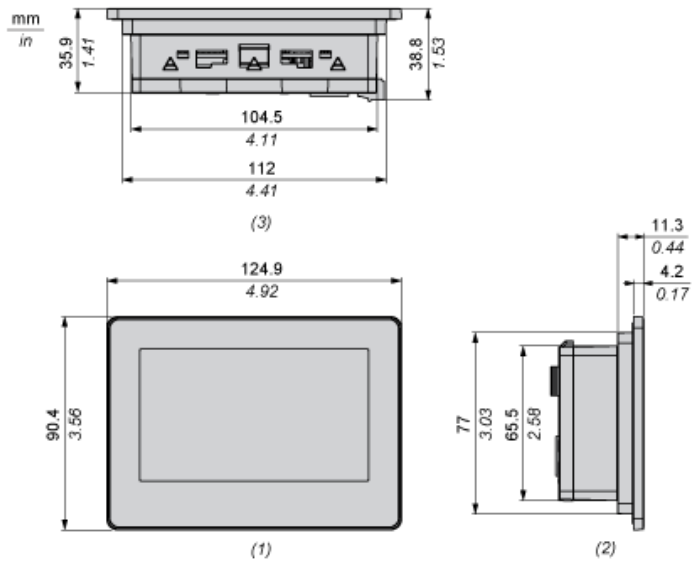
Environment

Standards	EN 61000-6-4 EN 61131-2 EN 61000-6-2 CSA C22.2 No 213 UL 61010-2-201 ANSI/ISA 12.12.01 UL 61010-1 CSA C22.2 No 142
Product certifications	CE ATEX zone 2/22 C-Tick KCC UL CUL
Directives	2002/96/EC - WEEE directive 1907/2006/EC - REACH directive 2002/95/EC - RoHS directive
Ambient air temperature for operation	0...50 °C
Ambient air temperature for storage	-20...60 °C
Relative humidity	10...90 % without condensation
Operating altitude	2000 m
IP degree of protection	IP20 (rear panel) IP65f (front panel)
NEMA degree of protection	NEMA 4X/13 front panel (indoor use)
Shock resistance	15 gn for 11 ms conforming to IEC 61131-2
Vibration resistance	1 gn (f = 5...150 Hz) conforming to IEC 61131-2 3.5 mm constant amplitude (f = 5...150 Hz) conforming to IEC 61131-2
Electromagnetic compatibility	Resistance to radiated electromagnetic fields : 10 V/m 80 MHz...2.7 GHz Resistance to electrostatic discharge : 8 kV air discharge conforming to EN 61000-4-2 level 3 Resistance to electrostatic discharge : 6 kV direct contact conforming to EN 61000-4-2 level 3

Offer Sustainability

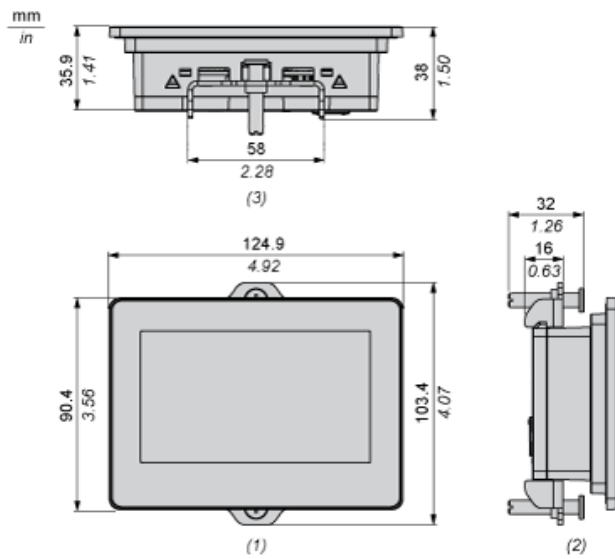
Sustainable offer status	Green Premium product
RoHS (date code: YYWW)	Compliant - since 1601 - Schneider Electric declaration of conformity Schneider Electric declaration of conformity
REACH	Reference not containing SVHC above the threshold Reference not containing SVHC above the threshold
Product environmental profile	Available Product environmental
Product end of life instructions	Available End of life manual

External Dimensions



- 1 Front
- 2 Left
- 3 Bottom

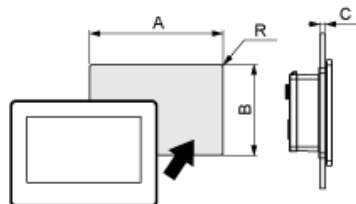
Dimensions with Installation Fasteners



- 1 Front
- 2 Left
- 3 Bottom

Mounting

Panel Cut-out Dimensions



Dimensions in mm

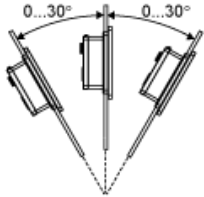
Description	A	B	C	R
Without adapter	112.5	77.5	1.5...6	3 max.
With adapter	105	66	1.5...6	3 max.

Dimensions in in.

Description	A	B	C	R
Without adapter	4.43	3.05	0.06...0.24	0.12 max.
With adapter	4.13	2.6	0.06...0.24	0.12 max.

Installation Requirements

Mounting Angle



When installing this product in a slanted position with an incline more than 30°, the ambient temperature must not exceed 40 °C (104 °F). You may need to use forced air cooling (fan, A/C) to ensure the ambient operating temperature is 40 °C or less (104 °F or less).

Clearance

