

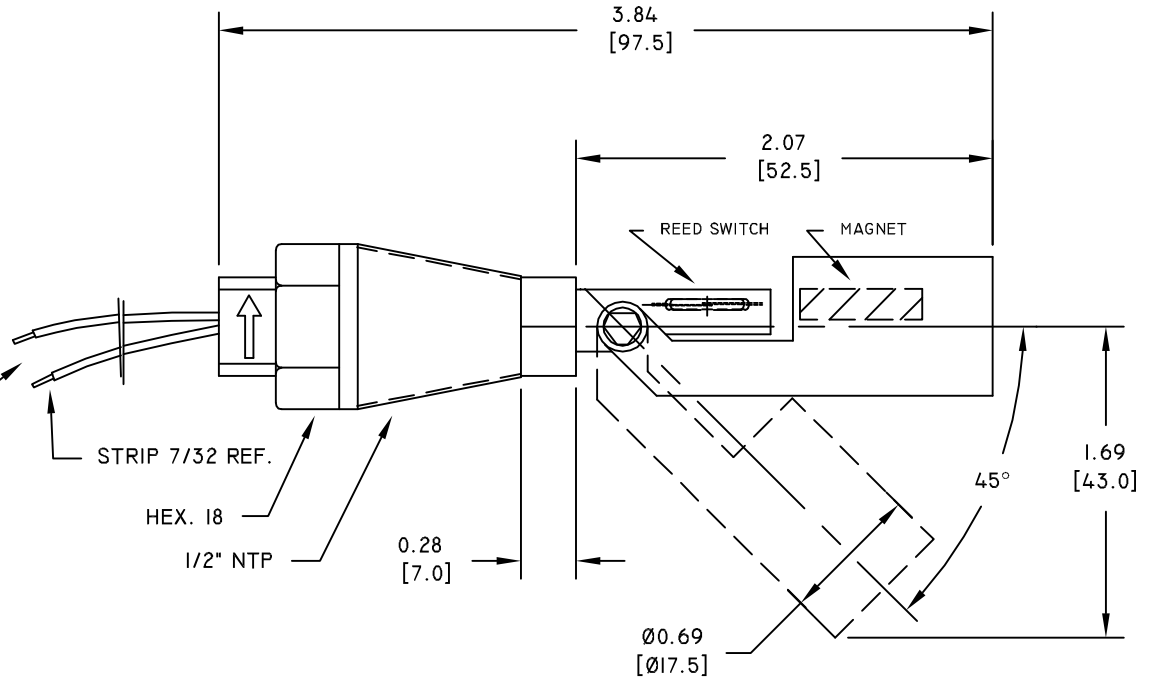
REV.	DATE	REVISION DESCRIPTION	DR.
A	02/20/04	ORIGINAL	L.L.

- NOTES:
1. ELECTRICAL:
 - 1.1 SWITCHING CAPACITY: MAX. 50 WATT.
 - 1.2 SWITCHING CURRENT: 0.5 AMP.
 - 1.3 CARRY CURRENT: MAX. 1 AMP.
 - 1.4 SWITCHING VOLTAGE: 240 VAC.
 - 1.5 BREAKDOWN VOLTAGE: 200 VDC.

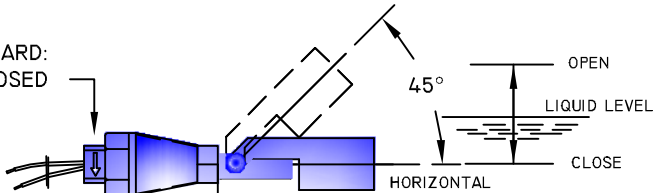
2. OPERATION:
 - 2.1 CONTACT ARRANGEMENT SPST, REVERSIBLE SWITCH ACTION.
 - 2.2 AVOID MAGNETIC INTERFERENCE.
 - 2.3 OPERATING TEMPERATURE -20° C TO 80° C.
 - 2.4 MAX. PRESSURE 4 Kg/cm²
 - 2.5 SUITABLE SPECIFIC GRAVITY OF LIQUID 0.75.

3. FINISH:
 - 3.1 ENCAPSULATED AND POTTED IN PLASTIC CASE.
 - 3.2 LEAD WIRES UL 1007, #22 AWG, XLPE INSULATION.
 - 3.3 WEIGHT 21 GR.

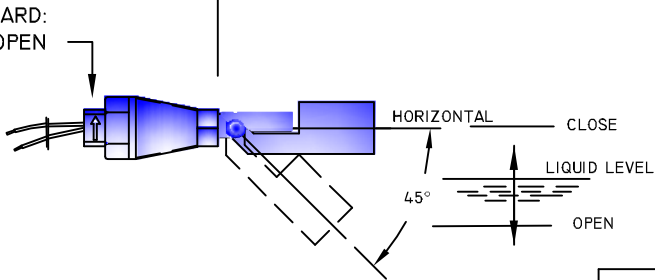
LEAD WIRES UL 1007 # 22 AWG,
PVC INSULATION,
11.8" [30 cm] REF. LENGTH.



ARROW DOWNWARD:
NORMALLY CLOSED



ARROW UPWARD:
NORMALLY OPEN



WORKING POSITION: HORIZONTAL

COMUS INTERNATIONAL

454 ALLWOOD ROAD, CLIFTON, NEW JERSEY 07012

TEL. (973) 777-6900

ENGINEERING		
QUALITY		
PRODUCTION		
APPROVAL	SIGNATURE	DATE

UNSPECIFIED TOLERANCES
 DECIMAL: .XX ±.01 [.254]
 .XXX ±.005 [.127]
 FRACTIONAL: ± 1/64 [.397]
 ANGULAR: ± 1/2°

REF.:	SCALE: NONE	DRAWN BY: L.L.	DATE 02/20/2004
TITLE: FLOAT SWITCH			
TYPE: SALE		DRAWING #: HFP32	