

SPECIFICATION

Material: Boot: APM RUBRGLAS™ (transparent silicone rubber), conforms to A-A-59588, Class III Grade 50, Frame: steel, zinc plated with chromate finish. Screw: SEELSKREW® (self-sealing screws), stainless steel with silicone rubber O-ring.

Temperature Range: HEXSEAL: -94°F to +400°F

Pressure Range: Dust tight and splashproof.

Operational Life: 10,000 actuations (minimum).

Shelf Life: Excess of 25 years.

Resistant to: Salt spray, sunlight, ozone, weather, corona and most acids.

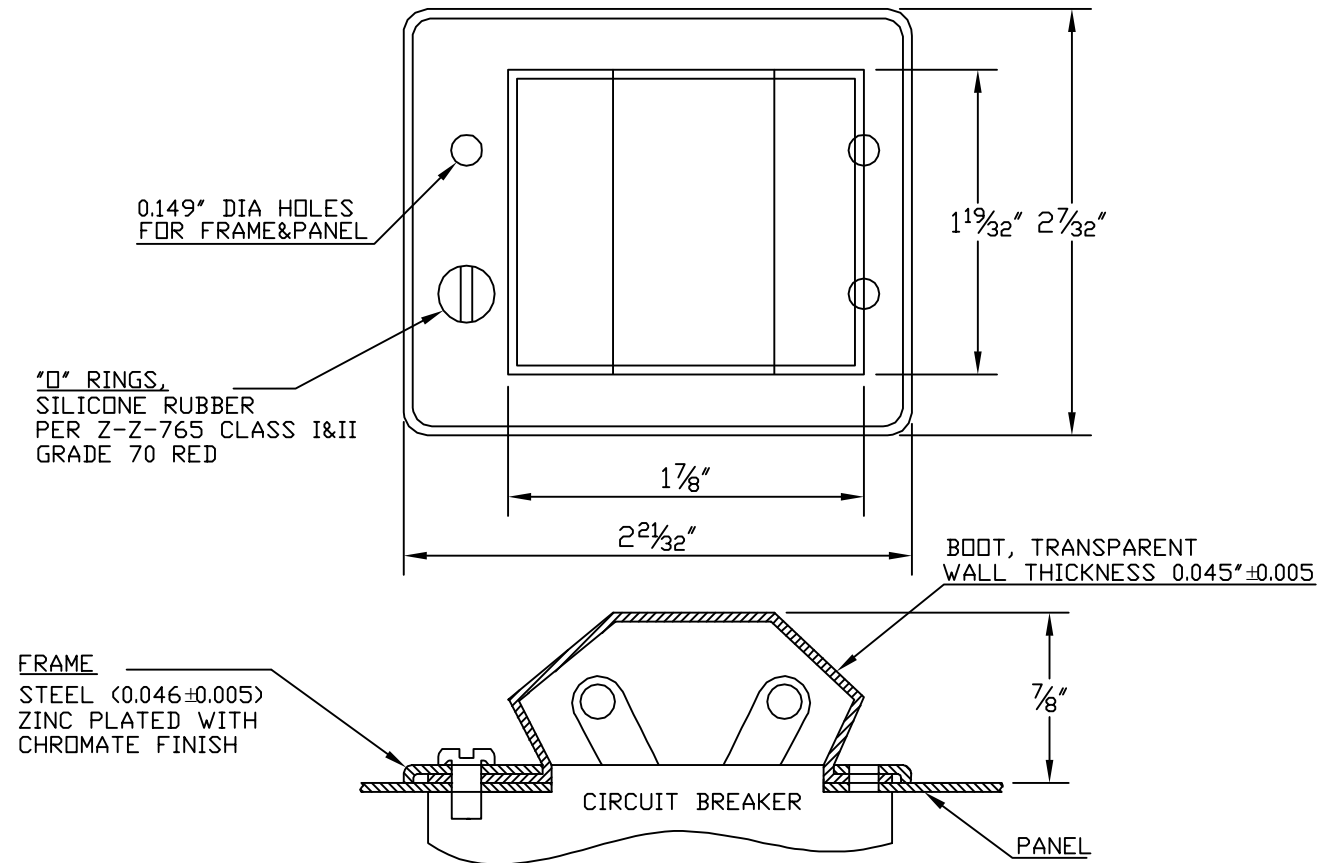
Notes:

1. Mounting screws are supplied in lengths shown unless otherwise specified.

2. New sizes and types of RUBRGLAS-SEELS® are being added regularly. Please request other types and styles as required.

Agency Recognition: Front Panel mounted Circuit Breaker Boots are UL- listed to UL Std. 50, types 1,2,3,12,12K and 13.

Back-of-Panel mounted Circuit Breaker boots are UL-listed to UL Std. 50, type 1, Also meet CSA standards.



NOTES:

ASSEMBLY CONSISTS OF 1 BOOT, MAT'L APM RUBRGLAS®, 1 FRAME MAT'L C.R.S. ZINC PLATED WITH CHROMATE FINISH, & #6-32 APM SEELSKREWS® LENGTH = 3/8 UNLESS OTHERWISE SPECIFIED

TOLERANCES: UNLESS OTHERWISE NOTED ±1/32

B	RUBBER and FRAME MAT'L CHANGED, WALL THICKNESS TOL. 0.010 CHANGED TO 0.005, HOLE DIM. Ø.160" CHANGED TO Ø.149", DELETED TO "DESIGN TO MEET MIL-5423" and DELETED TO SEELSKREW INFORMATION	S. GOK	05.04.09
A	CAD COMPUTER GENERATED		11.13.02
REV.	DESCRIPTION		DATE
MAXIMUM AND MINIMUM MEASUREMENTS ARE STATED DIRECTLY ON EACH DIMENSION.			
MAT'L: RUBRGLASS ① CONFORMS TO A-A-59588 CL III	TITLE: CIRCUIT BREAKER BOOT, TOGGLE, WIDE ANGLE, TRANSPARENT (2 POLES)	ENG. DWN. CHKD.	J. CELLA 05.04.09
FINISH: GRADE 50 TRANSPARENT	APM-HEXSEAL CORPORATION	SCALE 1:1	DWG. NO. HE-1020

THIS DRAWING COVERS PROPRIETARY ITEM AND IS THE PROPERTY OF THE APM-HEXSEAL CORPORATION.
THIS DRAWING IS NOT TO BE COPIED OR USED WITHOUT THE WRITTEN APPROVAL OF AN OFFICER OF THE APM-HEXSEAL CORPORATION.