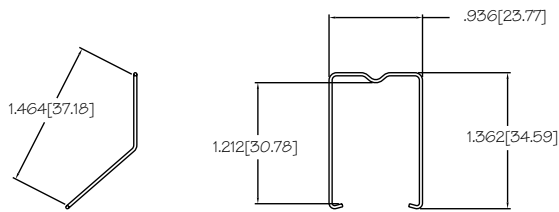


# RELAY SOCKET ACCESSORIES

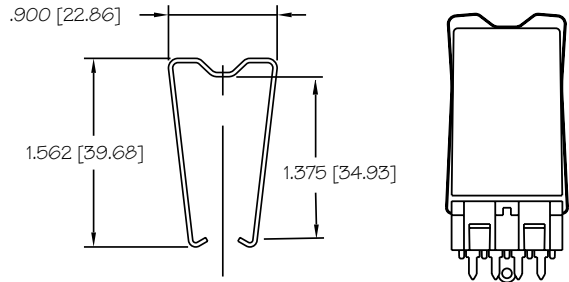
## HOLD DOWN SPRINGS

## DRAWINGS & SPECIFICATIONS



**MHO**

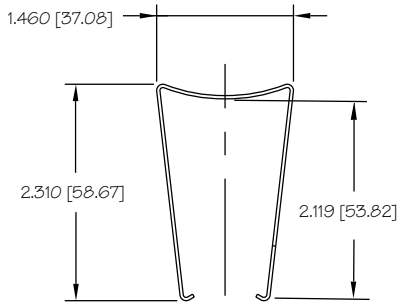
**ES15/4, ES15/2N, ES15/3N,  
ES15/4N, ES15/4S, ES15/4G**



Refer to this illustration for spring positioning

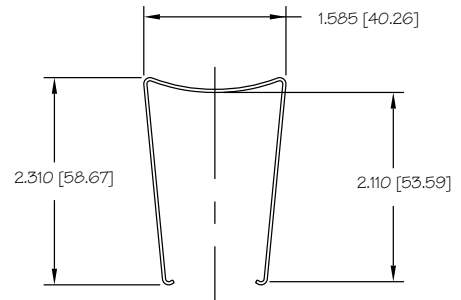
**HDB-4**

**GR, GT, MR, MT SERIES**



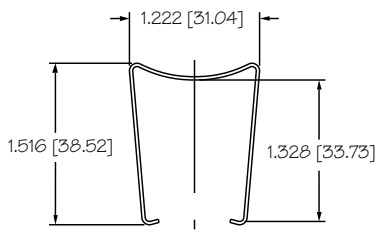
**HDB-5**

**CM SERIES**



**HDB-8**

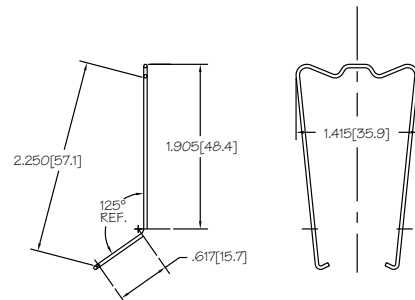
**SS, ST SERIES**



Refer to this illustration for spring positioning

**HDB-9**

**GR108-PCB, GR108-SLD,  
MR SERIES**



**HDB-13**

**ES8, ES11 SERIES**