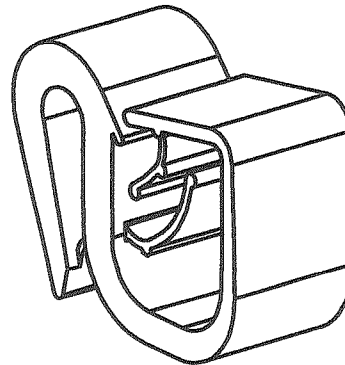
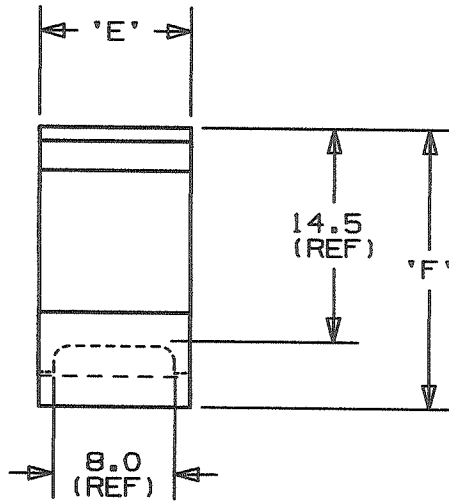
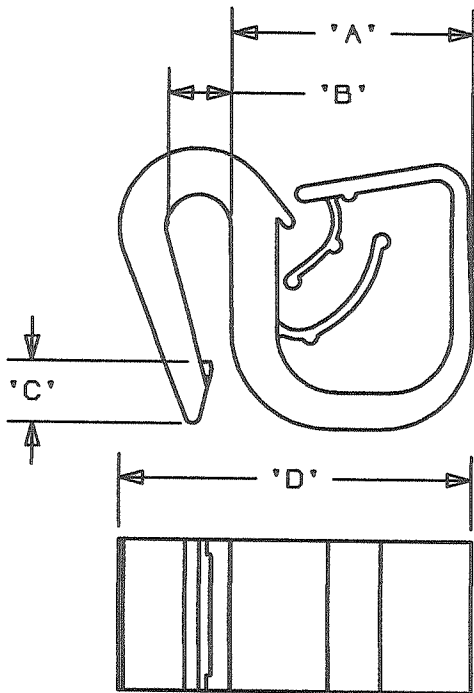
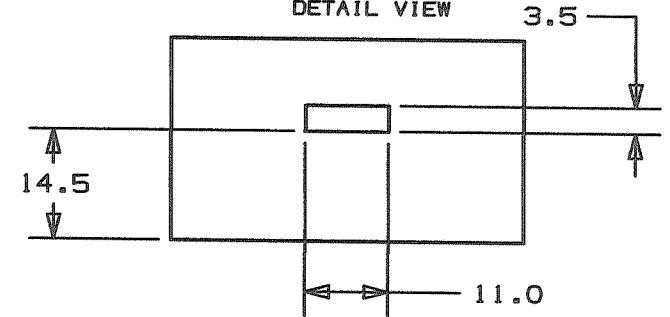


THIS COPY IS PROVIDED ON A RESTRICTED BASIS AND IS NOT TO BE USED IN ANY WAY DETRIMENTAL TO THE INTERESTS OF PANDUIT CORP.

PANDUIT PART NO.	BUNDLE DIA MIN-MAX.	DIMENSIONS						MATERIAL	COLOR	WEIGHT	
		'A'	'B'	'C'	'D'	'E'	'F'			grams	100 pcs
HCME04Y09-...20	4 - 9	16.5	4.2	4.5	23.2	10	19.2	NYLON 6/6	BLACK	250	
HCME04Y09-...30								HEAT STABILIZED NYLON 6/6			
HCME04Y09-...130		ACETAL									



APPLICATION SPECIFICATION DETAIL VIEW



NOTES:

- REFER TO CURRENT PRICE SHEET FOR PART NUMBER SUFFIX DESIGNATION FOR PACKAGE SIZE, AND COLOR.
- (\*) DIMENSIONAL VARIANCE IS POSSIBLE DUE TO MOLDING PROCESS RELATED SINKMARKS.
- APPLICATION SPECIFICATIONS:  
RECTANGULAR HOLE: 3.5 x 8.0 mm  
PANEL THICKNESS: 0.8 - 4.0 mm

GND PILE/NAME/LAYERS		G00239FN_PB_HCME04Y09_03	
<b>PANDUIT</b>		CORP. TINLEY PARK, ILLINOIS	
HARNESS CLIP FOR EDGE MOUNT			
UNLESS OTHERWISE SPECIFIED, ALL DIMENSIONS ARE METRIC TOLERANCE: ±0.5 mm			
DRAWN BY	JAD	MAT'L:	SCALE 2X
DATE	12-11-97	SEE CHART	DRAWING NO.
REV	3	GB0239FN	GB0239FN
DESCRIPTION	COMPLETELY REVISED, REMOVED GERMAN TEXT	ECN - R	CUST SUP
			SIZE A

REV	DATE	BY	CHK	DESCRIPTION	ECN	R	CUST	SUP
3	1/29/03	JAD	[Signature]	COMPLETELY REVISED, REMOVED GERMAN TEXT	GB0239FN	3	[Signature]	