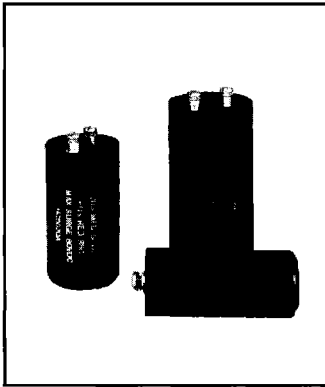


Type HC and NP Aluminum Electrolytic Capacitors

MALLORY



- Phenolic Case
- Polarized and Non-Polarized Ratings Available

GENERAL SPECIFICATIONS

Polarized - Type HC

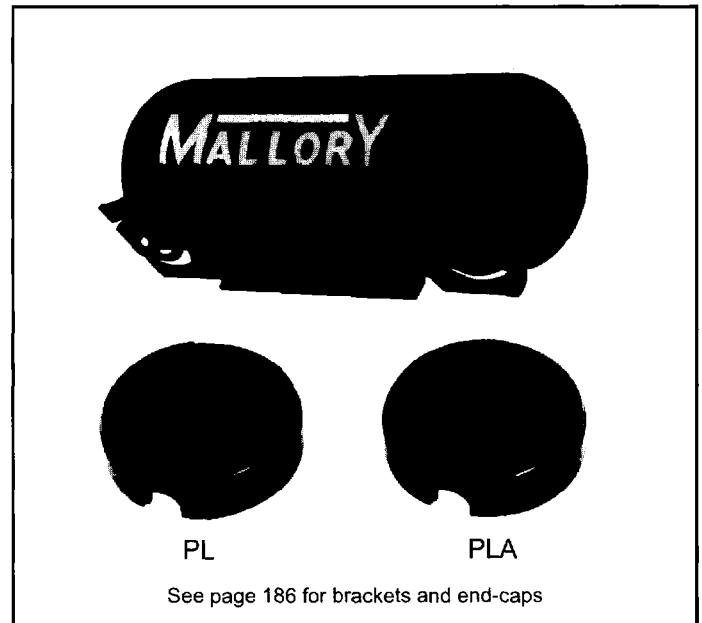
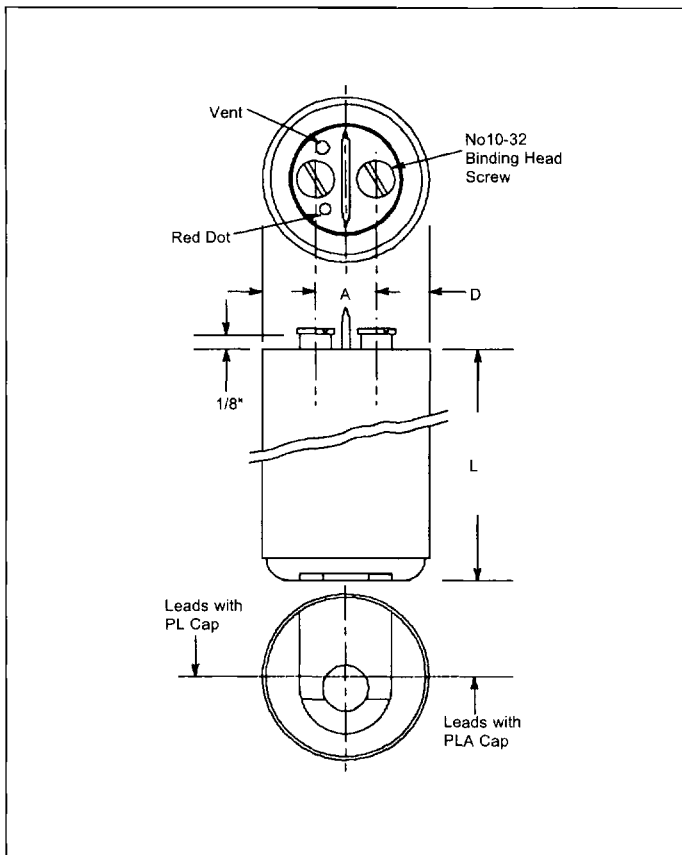
Operating Temperature:
-20°C to +85°C
Voltage Range:
25 WVDC to 450 WVDC
Capacitance Range:
100 μ F to 4,000 μ F
Capacitance Tolerance:
25 to 50 WVDC:
-10% +150%
150 to 450 WVDC:
-10% +100%

Non-Polarized - Type NP

Operating Temperature:
-20°C to +85°C
Voltage Range:
125 WVNP to 450 WVNP
Capacitance Range:
15 μ F to 500 μ F
Capacitance Tolerance:
 \pm 25%

Cap μ F	WVDC	Dimensions (Inches)			Catalog Number
		D	x L	A	
Polarized - Type HC					
1,000	25	1 7/16	x 2 3/4	1/2	HC2510A
2,000	25	1 7/16	x 3 3/8	1/2	HC2520A
4,000	25	1 13/16	x 3 3/8	5/8	HC2540A
4,000	40	1 13/16	x 4 3/8	5/8	HC4040A
500	50	1 7/16	x 2 3/4	1/2	HC5005A
1,000	50	1 7/16	x 3 3/8	1/2	HC5010A
2,000	50	1 13/16	x 3 3/8	5/8	HC5020A
4,000	50	2 1/16	x 4 3/8	7/8	HC5040
1,000	150	2 1/16	x 4 3/8	7/8	HC15010
1,000	150	1 13/16	x 4 3/8	5/8	HC15010A
500	200	1 13/16	x 3 3/8	5/8	HC20005A
100	450	1 13/16	x 3 3/8	5/8	HC45001
300	450	2 1/16	x 4 3/8	7/8	HC45003

Cap μ F	WVNP	Dimensions (Inches)			Catalog Number
		D	x L	A	
Non-Polarized - Type NP					
200	125	1 7/16	x 3 3/8	1/2	NP1225A
500	125	1 13/16	x 4 3/8	5/8	NP1255A
15	300	1 7/16	x 2 3/4	1/2	NP3003A
50	300	1 7/16	x 2 3/4	1/2	NP3008
100	300	1 13/16	x 3 3/8	5/8	NP3014A
200	300	2 1/16	x 4 3/8	7/8	NP3025
50	450	1 13/16	x 3 3/8	5/8	NP4505
100	450	2 1/16	x 4 3/8	7/8	NP4510



See page 186 for brackets and end-caps

PHOTOFLASH CAPACITORS	
HC45003	- 300 mfd. 450 WVDC; Plastic case 2 1/16" dia. x 4 3/8". Max DCL (at 5 min.) 5.5 mA
FF45052	- 525 mfd. 450 WVDC; Plastic case 2 1/16" dia. x 4 3/8". Max DCL (at 5 min.) 2.0 mA
FP240	- Specially engineered FP capacitor for photoflash use. Dual separate section, 50 mfd. at 450 WVDC each section. May be used in parallel for 100 mfd. Supplied with cardboard insulating tube. Uses standard FP mounting plate. 1 3/8" dia. x 3".

Aluminum Capacitors