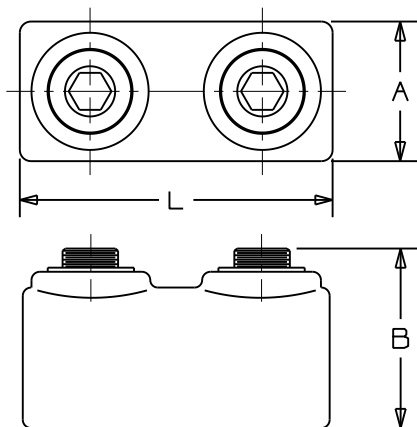


NOTES:



(A) (B)

1. UL LISTED.
2. FOR COPPER WIRE ONLY.
3. MADE IN THE USA.
4. SADDLE/PLATE PROVIDES UNIFORM CLAMPING FORCE WITHOUT DISTORTING THE CABLE SHAPE (PART NUMBERS WITH ASTERISK ONLY).
5. MATERIAL: HIGH STRENGTH COPPER ALLOY
6. ** THE HC4-3 IS ASSEMBLED WITH TWO HEXAGON PRESSURE SCREWS. ALL OTHER PARTS ARE ASSEMBLED WITH TWO ALLEN HEAD SOCKET PRESSURE SCREWS.

LISTED
508D



CATALOG NUMBER	CONDUCTOR RANGE	WIRE DIAMETER RANGE	APPROXIMATE DIMENSIONS			HEX KEY SIZE	TORQUE VALUE IN-LBS
			A	B	L		
**HC4-3 (A)	8 SOL.-4 STR.	.128 - .234	.50	(A) 1.11	1.25	(B) 7/16	35
HC8-3	4 SOL.-1 STR.	.204 - .328	.69	.81	1.75	7/16	100
*HC13-3	1 STR.-2/0 STR.	.328 - .418	.81	.94	2.00	1/4	250
*HC21-1	2/0 STR.-4/0 STR.	.418 - .528	1.00	1.19	2.25	9/16	250
*HC30-1	4/0 STR.-300 MCM	.528 - .630	1.19	1.44	2.56	5/16	350
*HC50-1	300 MCM-500 MCM	.630 - .814	1.38	1.63	3.00	3/4	480

07	10/12	JHNU	RGB	REVISED HEX KEY SIZE FOR HC30-1: 5/16 WAS 5/8	N41180BE-C41180	RGB	RGB
06	09/12	JHNU	RGB	REVISED HEX KEY SIZE FOR HC13-3: 1/4 WAS 9/16	N41180BE-C41180	RGB	RGB
05	03/08	JESH	JAC	REMOVED NOTE 3, AND UPDATED NOTE 6, ** THE HC4-3 IS ASSEMBLED WITH TWO HEXAGON PRESSURE SCREWS. ALL OTHER PARTS ARE ASSEMBLED WITH TWO ALLEN HEAD SOCKET PRESSURE SCREWS.	(B)	JAC	
				DIMENSION 7/16 WAS SCREW DRIVE SLOT			
04	02/08	JESH	JAC	DIMENSION 1.11" WAS .56" AND ADD NOTE 7	(A)	JAC	
03	10/04	JHNU	JAC	REVISED NOTE 5 AND ADDED NOTE 6.			
02	4/04	JHNU	JAC	REMOVED P/N'S HC75-1 AND HC100-1.	11691	JAC	LSM
01	10/98	WB	WB	ADDED NOTE 5	07229	LA	RM
REV	DATE	BY	CHK	DESCRIPTION	ECN	-R	SUP

C41180_07

PANDUIT

TINLEY PARK, ILLINOIS

TWO-WAY CONNECTOR PREMIUM
TYPE HC CUSTOMER DRAWING

DRAWN BY EJD CHK'D WJB SCALE N/A DRAWING NO. C41180