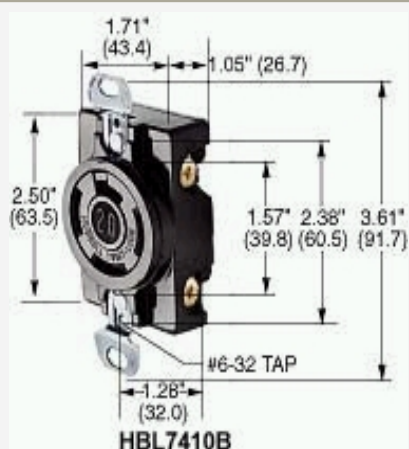


HBL7410B -- Twist-Lock Receptacle



4P4W, 20A 3PH 120/208V AC, Non-NEMA, Black Urea Face

Product Specifications

Product Type



Product Item	Single Receptacle
Wiring Scheme	4-Pole, 4-Wire Non-Grounding
Amperage	20A
Voltage	3 Phase Y 120/208V AC
NEMA Configuration	Non-NEMA
Item Style	Standard
Device Color	Black
Terminal Clamp Material	.062" (1.6) Steel - Tin plate
Terminal Screw Material	#10-32 Bronze (White finish on neutral screw when used)
Ground Screw Material	#10-32 Bronze (Green)
Contact Spring Material	.040" Brass
Mounting Screw Material	Steel-zinc-plated
Cover (Top) Material	Black Nylon
Base Material	Nylon Polyester
Ground Contact Material	.040" Brass
Bridge (Mounting Strap) Material	.050" Brass
Back Plate Material	.040" Brass
Rivet Material	Brass
Auto Ground Clip Material	Stainless Steel
Ratings	Molded In or Stamped On
Catalog No	Permanently ink marked on product
Dielectric Voltage Withstand	2,000V minimum
Current Interrupting	Certified for current interrupting at full rated current
Temperature Rise	Max 30C temperature rise at full rated current after 50 cycles of overload at 150% of rated current at a power factor of .75.
Terminal Accommodation	20A #12 AWG
Terminal Identification	Terminals identified in accordance with UL 498 (X, Y, Z, White, Green)
Flammability	UL 94 VO for Receptacles and Inlets. HB or better for Plugs and Connectors.
Operating Temperatures	Maximum Continuous 75 C Minimum -40 C (w/o impact)
Listings	UL
UPC Number	783585333526
Weight in LBs	0.25
Link to Drawing Library	Click here for Library
Link to PDF Catalog	Click here for Catalog

