



30A 3ØY
120/208V AC
NEMA L21-30R
UL/CSA
3 HP



30A 3ØY
277/480V AC
NEMA L22-30R
UL/CSA
10 HP



30A 3ØY
347/600V AC
NEMA L23-30R
UL/CSA

Connector Bodies

Watertight Safety-Shroud®

IP66 SUITABILITY UL Type 4x, 12

Description	Cord Dia.	Catalog Number		
Black Valox® housing, white Valox® clamps.	.350"-1.150" (9-29)	HBL2813SW	HBL2823SW	-



HBL2813SW

Insulgrip®

IP20 SUITABILITY

Description	Cord Dia.	Catalog Number		
Black and white nylon.	.350"-1.150" (9-29)	HBL2813	HBL2823	HBL2833
Corrosion resistant, yellow nylon.	.350"-1.150" (9-29)	HBL28CM13	-	-
Black and white for flat cable.	.350"-1.150" (9-29)	HBL2813FC	-	-
All black nylon.	.350"-1.150" (9-29)	HBL2813BK	-	-



HBL2813

Note: See page B-53 for accessories.

Receptacles

Watertight Safety-Shroud®

IP66 SUITABILITY UL Type 4x, 12

Description	Catalog Number		
Gray Valox® housing and flange, back wired.	HBL2810SW	HBL2820SW	HBL2830SW

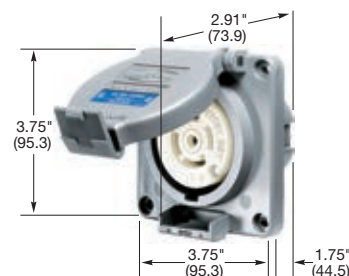
Note: See page B-54 for accessories.

Safety-Shroud® Twist-Lock®

IP20 SUITABILITY

Description	Catalog Number		
Gray Valox® angle housing, one gang, back wired.	HBL2810AR	-	-
Gray Valox® surface mounting, one gang, back wired.	HBL2810SR	-	-
Gray Valox® semi-flush, two gang, back wired.	HBL2810SR2	-	-

Note: See page B-54 for accessories.



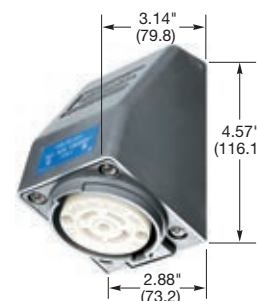
HBL2810SW

Single Flush Receptacles

IP20 SUITABILITY

Description	Catalog Number		
Black nylon face, back and side wired.	HBL2810	HBL2820	HBL2830
Isolated ground, orange nylon face, back and side wired.	IG2810	-	-
Ring terminal connection.	HBL2810RT	-	-

Note: See page B-52 for accessories.

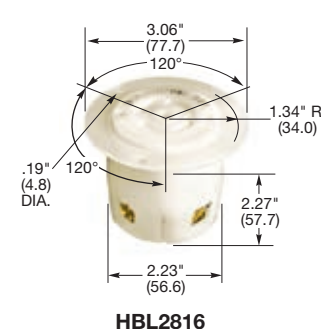


HBL2810AR

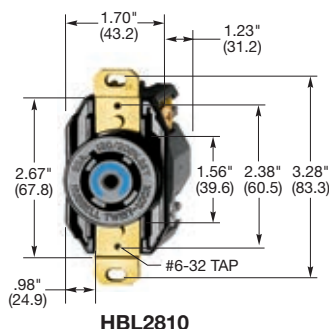
Insulgrip® Flanged Receptacles

Description	Catalog Number		
Nylon casing, back wired.	HBL2816	HBL2826	HBL2836

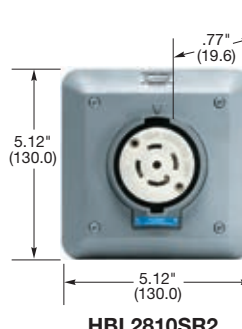
Note: See page B-52 for accessories.



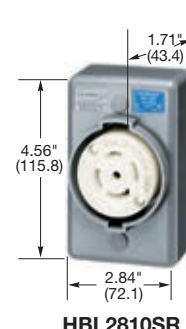
HBL2816



HBL2810



HBL2810SR2



HBL2810SR

Valox® is a trademark of SABIC Innovative Plastics, acquired from General Electric Company.

Dimensions in Inches (mm)