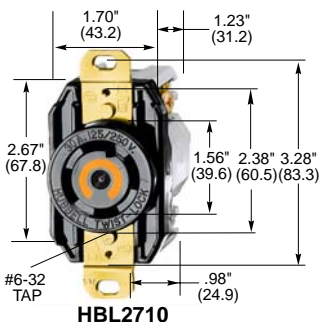


## TWIST-LOCK® Devices

### 3 Pole, 4 Wire Grounding

30 Ampere, 125/250 Volts and 3Ø 250 Volts

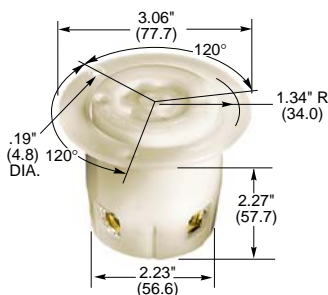
Receptacles, INSULGRIP® Connector Bodies, Flanged Devices and Plugs



**HBL2710**



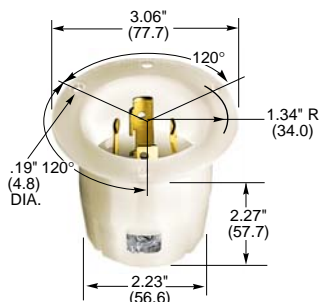
**HBL2713**



**HBL2716**



**HBL2711**



**HBL2715**



NEMA L14-30R  
30A 125/250V  
UL/CSA  
2 (2) HP



NEMA L15-30R  
30A 3Ø 250V AC  
UL/CSA  
3 HP

### Single Flush Receptacles, Back and Side Wired

Description	Catalog Numbers	
Black nylon face.	<b>HBL2710</b>	<b>HBL2720</b>
Isolated ground, orange nylon face.	<b>IG2710</b>	<b>IG2720</b>

### Insulgrip Connector Bodies IP20 SUITABILITY

Description	Catalog Numbers	
Black and white nylon.	<b>HBL2713</b>	<b>HBL2723</b>
Corrosion resistant, yellow nylon.	<b>HBL27CM13</b>	<b>HBL27CM23</b>

Note: Cord clamp range .35"-1.15" (9-29).

### Insulgrip Flanged Receptacles

Description	Catalog Numbers	
Nylon casing, back wired.	<b>HBL2716</b>	<b>HBL2726</b>



NEMA L14-30P  
30A 125/250V  
UL/CSA  
2 (2) HP



NEMA L15-30P  
30A 3Ø 250V AC  
UL/CSA  
3 HP

### Insulgrip Plugs IP20 SUITABILITY

Description	Catalog Numbers	
Black and white nylon.	<b>HBL2711</b>	<b>HBL2721</b>
Corrosion resistant, yellow nylon.	<b>HBL27CM11</b>	<b>HBL27CM21</b>

Notes: Cord clamp range .35"-1.15" (9-29).  
See page B-73 for Add-A-Shroud™ kit.

### Insulgrip Flanged Inlets

Description	Catalog Numbers	
Nylon casing, back wired.	<b>HBL2715</b>	<b>HBL2725</b>

Notes: HP ratings not in parentheses are phase to phase.  
HP rating in parentheses is phase to neutral.  
Only receptacles and plugs are HP rated.  
See pages B-70 and B-71 for accessories.  
For technical information see page B-83.  
See page B-63 for switched enclosure.