

## 19MM PANEL SEALED 10 AMP METAL PUSHBUTTONS

These rugged electromechanical pushbuttons are available in stainless steel or zinc alloy housings and come in momentary or maintained action. Lighting options include center spot, or ring illumination. This 19mm size make the H48M ideal for many applications in the transportation, security, food processing and medical markets.

### APPLICATIONS

- Outdoor Controls
- Security Equipment
- Medical Equipment
- Food Processing Equipment
- Military Equipment
- Industrial Machinery
- Transportation: Mass-Transit, Lift Trucks

### KEY FEATURES:

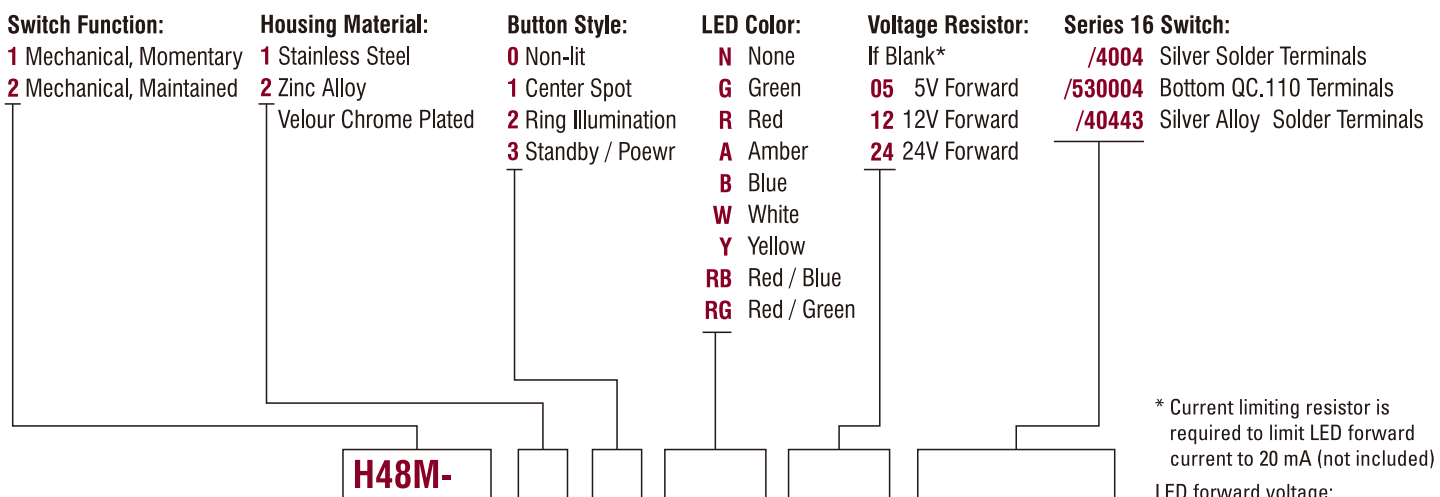
- Momentary or Maintained Action
- Stainless Steel Housing
- Center Spot or Ring Illumination
- Variety of LED colors
- Electro-Mechanical
- Panel Sealed to IP67
- ROHS Compliant
- 16-4044 & 16-530004 & 16-40443 (UL and CSA Certified): SPDT Form Z, Silver contacts

# Series H48M



ACTUAL SIZE

### ORDERING INFORMATION:



\* Current limiting resistor is required to limit LED forward current to 20 mA (not included)

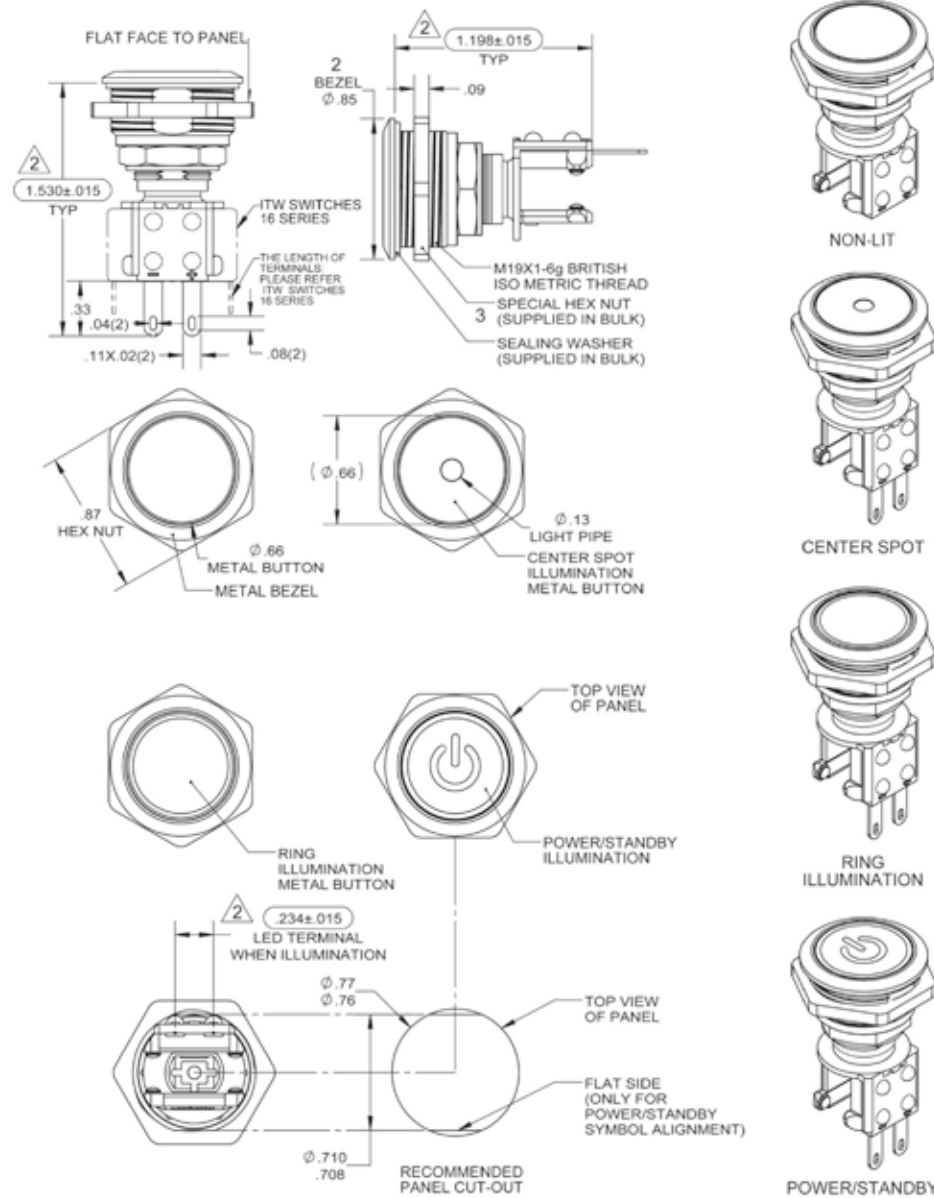
LED forward voltage:  
 – Red, Amber & Yellow: 2 V  
 – Green, Blue & White: 3.4 V

### STANDARDS / AGENCY / RATINGS:



## SERIES H48M: 19MM PANEL SEALED 10 AMP PUSHBUTTON

### PRODUCT DRAWINGS



### MECHANICAL / ELECTRICAL CHARACTERISTICS:

#### Circuit:

SPDT-DB (Form Z)

#### Button travel (nominal):

0.09 inches (2.3 mm)

#### Operating force (nominal):

5.2N (520 grams)

#### Contact bounce (nominal):

1 millisecond

#### Panel thickness:

0.020" – 0.177" (0.5 – 4.5 mm)

#### Temperature index:

-40° C to +85° C (momentary)

-40° C to +65° C (maintained)

#### Torque (max):

10 inch pounds

#### LED operating temperature:

-13° F to +185° F

(-25° C to +85° C)

#### Current ratings:

10A @ 125/250 VAC (res)

10A @ 28 VDC (ind)

#### Actuator life (nominal):

500,000 cycles (momentary)

50,000 cycles (maintained)

### ELECTRO SPECIFICATIONS

#### Dielectric strength:

1,000 VAC

#### Insulation resistance:

1 GΩ

#### Contact resistance:

50 mΩ max (initial)

### LED SPECIFICATIONS

| LED CODE | LED     |         | CIRCUITRY | Vf(VDC) |         | If (mA) |
|----------|---------|---------|-----------|---------|---------|---------|
|          | Color 1 | Color 2 |           | Color 1 | Color 2 |         |
| A        | AMBER   | —       |           | 1.6~2.0 | —       | 20      |
| R        | RED     | —       |           | 1.6~2.0 | —       | 20      |
| Y        | YELLOW  | —       |           | 1.6~2.0 | —       | 20      |
| B        | BLUE    | —       |           | 2.8~3.4 | —       | 20      |
| G        | GREEN   | —       |           | 2.8~3.4 | —       | 20      |
| W        | WHITE   | —       |           | 2.8~3.4 | —       | 20      |
| RB       | RED     | BLUE    |           |         | 1.6~2.0 | 2.8~3.4 |
| RG       | RED     | GREEN   | 1.6~2.0   |         | 2.8~3.4 | 20      |

Notes:  
 1.) Lead Soldering Temperature (4mm form body) : 280°C for 5 seconds  
 2.) Head Soldering Temperature (4mm form body) : 280°C for 3 seconds

### PANEL MOUNTING INFORMATION

The series H48M mounts easily into panels of minimum 0.020" (0.5 mm) and maximum 0.177" (4.5 mm) thickness. Front panel sealing to IP67 is achieved by a sealing o-ring fitted to the body of the switch before it is inserted into the panel hole cut-out. It is held onto the panel by means of a metal hex nut tightened down to a torque of 10 inch pounds to achieve the correct sealing pressure. The Basic Switch (16-4044 or 16-530004) has to be installed after the pushbutton actuator is firmly secured to specified torque onto the panel.

**ITW Switches**  
 SENSORS, SWITCHES, ELECTRONIC CONTROLS

800.544.3354