

# 1250/1300 Volt PSC Square Body

Mersen 1250/1300V PSC square body fuses provide maximum flexibility in equipment design and ultimate protection for today's power conversion equipment. These square body fuses are available in four different body sizes, each size having more than four worldwide acceptable mounting styles. The different mounting styles and body sizes along with a broad range of ampere ratings allow greatest flexibility in equipment design.

Mersen PSC fuses have been engineered to provide state-of-the-art protection for SCRs, diodes, thyristors, GTOs and IGBT devices. They have die-cut elements embedded in solidified sand which helps control arcing characteristics for low  $I^2t$  and high interrupting rating. All contact surfaces are silver plated and all hardware is non-magnetic.

All PSC square body fuses are equipped with a low voltage trip-indicator. This trip-indicator can operate a field mountable microswitch which is easily mounted directly onto the fuse.

## Features/Benefits:

- Choice of mounting styles gives wide choice for equipment design
- Broad range of ampere ratings in a given body size for design flexibility
- UL/CSA/IEC 60269-4 compliance for worldwide semiconductor applications

## Highlights:

- Extremely fast acting
- Current limiting
- Very low  $I^2t$
- Superior cycling ability

## Applications:

- Protection of rectifiers, inverters, DC drives, UPS Systems, reduced voltage motor starters, and other equipment in globally accepted applications

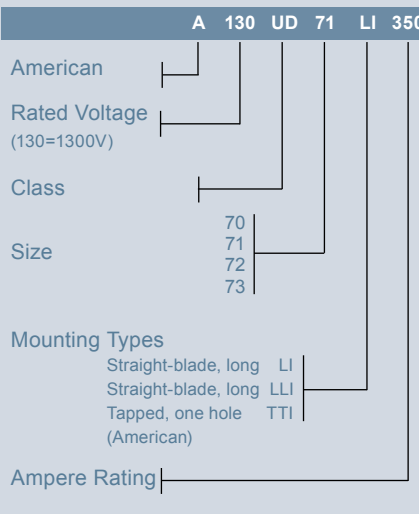
## Catalog Number Designation:

**A070 UR:** North American Mounting Style/Approval Tested @  $V_N$

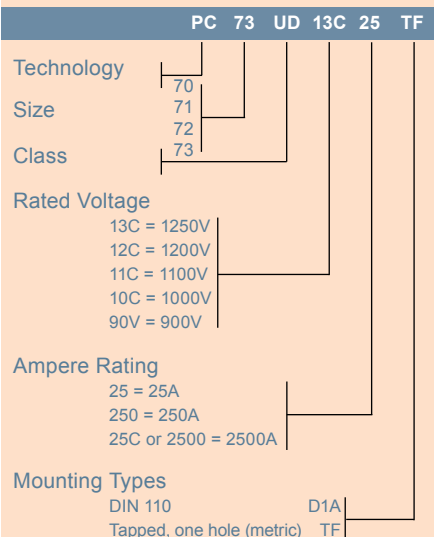
**PC:** European/IEC Mounting Style/Approval Tested @  $1.1 V_N$

\* $V_N$  = rated voltage

### N. American Catalog Numbering System



### European Catalog Numbering System



## Ratings:

- Volts** : 650-1300 VAC  
: DC - Consult Factory
- Amps** : 50-1800A
- I.R.** : 100kA AC

## Approvals:

- UL recognized component File E76491
- IEC 60269-4 certified
- CSA 012636 0 000
- CCC approved

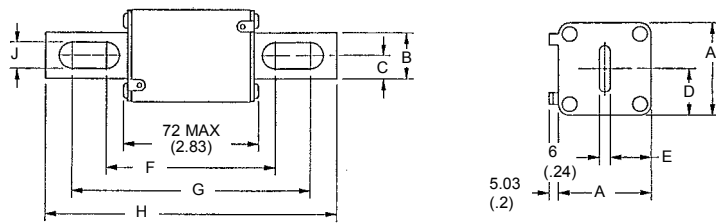


# 1250/1300 Volt PSC Square Body

## North American Straight Blade, Types LI & LLI

Body Size	Type	Dimensions - mm (in)								
		A	B	C	D	E	F	G	H	J
70	LI	41 (1.61)	25 (0.98)	12.5 (0.49)	20.5 (0.81)	17.5 (0.69)	91.4 (3.60)	130.4 (5.13)	152.4 (6.00)	10.5 (0.41)
71	LLI	51 (2.01)	25 (0.98)	12.5 (0.49)	25.5 (1.00)	22.5 (0.89)	91.4 (3.60)	130.4 (5.13)	152.4 (6.00)	10.5 (0.41)
72	LI	60 (2.36)	32 (1.26)	16 (0.63)	30 (1.18)	27 (1.06)	97.6 (3.84)	132.4 (5.2)	157.4 (6.20)	14.6 (0.57)
73		73 (2.87)	40 (1.57)	20 (0.79)	36.5 (1.44)	33.5 (1.32)	98.8 (3.89)	132.4 (5.21)	157.4 (6.20)	15.9 (0.63)

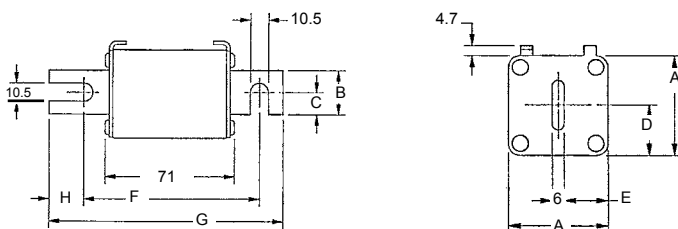
## Outline Dimensions: Types LI and LLI



## European Blade DIN 110, Type D1A

Body Size	Type	Dimensions - mm (in)						
		A	B	C	D	E	F	G
70	DIN 110	40 (1.57)	25 (.98)	12.5 (.49)	21 (.83)	17 (.67)	100.4 (3.95)	133.4 (5.25)
71		51 (2.01)	25 (.98)	12.5 (.49)	25.5 (1.00)	22.5 (.89)	100.4 (3.95)	133.4 (5.25)
72		60 (2.36)	32 (1.26)	16 (.63)	30 (1.18)	27 (1.06)	100.4 (3.95)	133.4 (5.25)
73		74.5 (2.93)	40 (1.57)	20 (.79)	37.2 (1.46)	34.25 (1.35)	100.4 (3.95)	133.4 (5.25)

## Outline Dimensions: Type D1A

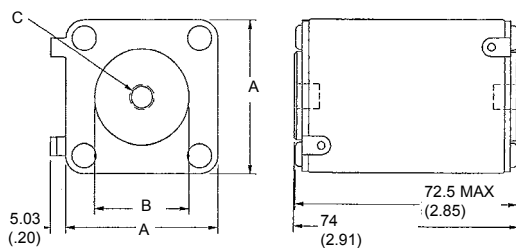


# 1250/1300 Volt PSC Square Body

## 1250/1300 Volt North American and European Tap Single Hole, Type TTI/TTF

Body Size	Type	Dimensions - mm/(In)		Tapped Hole (N. A.)	Tapped Hole (EURO.)
		A	B	C (TTI)	D (TTF)
70	TTI/TTF	40 (1.57)	25 (1.00)	5/16-18 X 0.23 DP	M8 X 1.25 X 6 DP
71		50.8 (2.00)	30.2 (1.19)	5/16-18 X 0.36 DP	M8 X 1.25 X 9 DP
72		60.3 (2.37)	38.1 (1.50)	3/8-16 X 0.36 DP	M10 X 1.50 X 9 DP
73		74.6 (2.94)	46 (1.81)	1/2-13 X 0.35 DP	M12 X 1.75 X 9 DP

### Types TTI and TTF

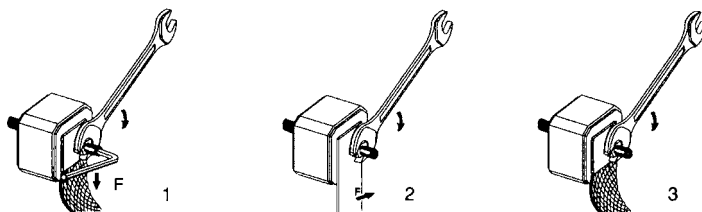


### Standard Threaded Studs

Size	Reference No. Per Pair	Ref. and Dimension Per Pair of Studs	Weight (g)	Max Stud Mounting Torque (Nm)*	Max Nut Tightening Torque (Nm)*		
					Fig. 1	Fig. 2	Fig. 3
70 & 71	S098801	HC M8 X 30 & M 8 X 35	23	13	13.5	13.5	13.5
72	T098802	HC M 10 X 30 & M 10 X 50	40	15	26	26	26
73	V098803	HC M 12 X 35 & M 12 X 50	60		46	46	15
2X72	W098804	HC M 10 X 50	50		26	26	26
2X73	X098805	HC M 12 X 50	70		46	46	15

Packaging: 6 pairs

\*in.lbs = Nm/0.113



# 1250/1300 Volt PSC Square Body

## 1250 Volt European/IEC Style Ratings and Application Data, DIN 110 Mounting

Body Size	Ampere Rating $I_n$ (A)	Rated Voltage $V_n$ (V) (IEC)	Melting $I^2t$ ( $A^2s \times 10^3$ )	Total Clearing $I^2t$ @ $V_n$ ( $A^2s \times 10^3$ )	Watts Loss @ $I_n$ (W)	Reference No.	Catalog No.	Description
70	50	1250	0.116	0.98	16	J301906	PC70UD13C50D1A	12,5URD70D11A0050
	63	1250	0.21	1.7	26	V300536	PC70UD13C63D1A	12,5URD70D11A0063
	80	1250	0.47	3.8	27	W300537	PC70UD13C80D1A	12,5URD70D11A0080
	100	1250	0.83	6.7	30	X300538	PC70UD13C100D1A	12,5URD70D11A0100
	125	1250	1.3	10.5	38	Y300539	PC70UD13C125D1A	12,5URD70D11A0125
	160	1250	2.5	21	45	Z300540	PC70UD13C160D1A	12,5URD70D11A0160
	200	1250	4.7	37.8	56	A300541	PC70UD13C200D1A	12,5URD70D11A0200
	250	1250	9.6	77	61	B300542	PC70UD13C250D1A	12,5URD70D11A0250
	280	1200	14	107	61	J300710	PC70UD12C280D1A	12URD70D11A0280
	315	1200	20	150	66	C300543	PC70UD12C315D1A	12URD70D11A0315
	350	1100	28	180	75	D300544	PC70UD11C350D1A	11URD70D11A0350
	400	1100	39	254	81	F300868	PC70UD11C400D1A	11URD70D11A0400
71	160	1250	2.6	21	46	D300751	PC71UD13C160D1A	12,5URD71D11A0160
	200	1250	4.7	38	54	E300545	PC71UD13C200D1A	12,5URD71D11A0200
	250	1250	8.9	71	61	F300546	PC71UD13C250D1A	12,5URD71D11A0250
	315	1250	16	130	76	G300547	PC71UD13C315D1A	12,5URD71D11A0315
	350	1250	22	180	80	H300548	PC71UD13C350D1A	12,5URD71D11A0350
	400	1250	38	310	80	J300549	PC71UD13C400D1A	12,5URD71D11A0400
	450	1250	47	380	95	K300550	PC71UD13C450D1A	12,5URD71D11A0450
	500	1100	68	440	100	L300551	PC71UD11C500D1A	11URD71D11A0500
	550	1100	84	540	112	M300552	PC71UD11C550D1A	11URD71D11A0550
	630	1000	125	810	105	N300553	PC71UD10C630D1A	10URD71D11A0630
72	280	1250	10	84	72	P300554	PC72UD13C280D1A	12,5URD72D11A0280
	315	1250	15	122	76	Q300555	PC72UD13C315D1A	12,5URD72D11A0315
	350	1250	21	170	77	R300556	PC72UD13C350D1A	12,5URD72D11A0350
	400	1250	32.5	270	80	S300557	PC72UD13C400D1A	12,5URD72D11A0400
	450	1250	44	360	89	T300558	PC72UD13C450D1A	12,5URD72D11A0450
	500	1250	57	460	98	V300559	PC72UD13C500D1A	12,5URD72D11A0500
	550	1250	68	550	120	W300560	PC72UD13C550D1A	12,5URD72D11A0550
	630	1100	105	850	113	X300561	PC72UD11C630D1A	11URD72D11A0630
	700	1000	145	910	122	Y300562	PC72UD10C700D1A	10URD72D11A0700
	800	1000	215	1400	125	Z300563	PC72UD10C800D1A	10URD72D11A0800
	900	1000	312	1800	130	H300870	PC72UD10C900D1A	10URD72D11A0900
73	315	1250	12	95	84	A300564	PC73UD13C315D1A	12,5URD73D11A0315
	350	1250	117	140	86	B300565	PC73UD13C350D1A	12,5URD73D11A0350
	400	1250	25	200	93	C300566	PC73UD13C400D1A	12,5URD73D11A0400
	450	1250	35.5	290	100	D300567	PC73UD13C450D1A	12,5URD73D11A0450
	500	1250	44	360	112	E300568	PC73UD13C500D1A	12,5URD73D11A0500
	550	1250	57	460	120	F300569	PC73UD13C550D1A	12,5URD73D11A0550
	630	1250	84	680	132	G300570	PC73UD13C630D1A	12,5URD73D11A0630
	700	1200	110	900	135	H300571	PC73UD12C700D1A	12URD73D11A0700
	800	1100	190	1530	136	J300572	PC73UD11C800D1A	11URD73D11A0800
	900	1000	250	1870	150	K300573	PC73UD10C900D1A	10URD73D11A0900
	1000	900	370	2130	152	L300574	PC73UD90V10CD1A	9URD73D11A1000
	1100	900	445	2470	168	M300575	PC73UD90V11CD1A	9URD73D11A1100

# 1250/1300 Volt PSC Square Body

## 1250 Volt European/IEC Style Ratings and Application Data, TTF Mounting

Body Size	Ampere Rating $I_n$ (A)	Rated Voltage $V_n$ (V) (IEC)	Melting $I^2t$ ( $A^2s \times 10^3$ )	Total Clearing $I^2t$ @ $V_n$ ( $A^2s \times 10^3$ )	Watts Loss @ $I_n$ (W)	Reference No.	Catalog No.	Description
70	50	1250	0.116	0.98	16	C301095	PC70UD13C50TF	12,5URD70TTF0050
	63	1250	0.21	1.7	26	M300483	PC70UD13C63TF	12,5URD70TTF0063
	80	1250	0.45	3.8	27	N300484	PC70UD13C80TF	12,5URD70TTF0080
	100	1250	0.83	7.2	30	P300485	PC70UD13C100TF	12,5URD70TTF0100
	125	1250	1.3	11	38	Q300486	PC70UD13C125TF	12,5URD70TTF0125
	160	1250	2.6	21	45	R300487	PC70UD13C160TF	12,5URD70TTF0160
	200	1250	4.7	38	54	S300488	PC70UD13C200TF	12,5URD70TTF0200
	250	1250	9.6	77	58	T300489	PC70UD13C250TF	12,5URD70TTF0250
	280	1200	14	107	64	N300714	PC70UD12C280TF	12URD70TTF0280
	315	1200	20	149	66	V300490	PC70UD12C315TF	12URD70TTF0315
	350	1100	28	180	68	W300491	PC70UD11C350TF	11URD70TTF0350
	400	1100	39	254	81	E300867	PC70UD11C400TF	11URD70TTF0400
71	160	1250	2.6	21	46	B300749	PC71UD13C160TF	12,5URD71TTF0160
	200	1250	4.7	38	54	Z300517	PC71UD13C200TF	12,5URD71TTF0200
	250	1250	8.9	72	61	A300518	PC71UD13C250TF	12,5URD71TTF0250
	315	1250	16	129	73	B300519	PC71UD13C315TF	12,5URD71TTF0315
	350	1250	22	178	76	C300520	PC71UD13C350TF	12,5URD71TTF0350
	400	1250	38	308	76	D300521	PC71UD13C400TF	12,5URD71TTF0400
	450	1250	47	378	87	E300522	PC71UD13C450TF	12,5URD71TTF0450
	500	1100	68	441	90	F300523	PC71UD11C500TF	11URD71TTF0500
	550	1100	84	548	98	G300524	PC71UD11C550TF	11URD71TTF0550
	630	1100	126	820	105	H300525	PC71UD11C630TF	11URD71TTF0630
72	280	1250	10	85	72	Y300493	PC72UD13C280TF	12,5URD72TTF0280
	315	1250	15	125	76	Z300494	PC72UD13C315TF	12,5URD72TTF0315
	350	1250	21	170	77	A300495	PC72UD13C350TF	12,5URD72TTF0350
	400	1250	33	270	80	B300496	PC72UD13C400TF	12,5URD72TTF0400
	450	1250	44	360	87	C300497	PC72UD13C450TF	12,5URD72TTF0450
	500	1250	57	465	94	D300498	PC72UD13C500TF	12,5URD72TTF0500
	550	1250	68	550	110	E300499	PC72UD13C550TF	12,5URD72TTF0550
	630	1250	105	850	113	F300500	PC72UD13C630TF	12,5URD72TTF0630
	700	1100	142	920	122	G300501	PC72UD11C700TF	11URD72TTF0700
	800	1100	215	1400	125	H300502	PC72UD11C800TF	11URD72TTF0800
	900	1000	312	1800	130	G300869	PC72UD10C900TF	10URD72TTF0900
1000	850	-	-	136	T301294	PC72UD85V1000TF	8,5URD72TTF1000	
73	315	1250	12	102	84	J300503	PC73UD13C315TF	12,5URD73TTF0315
	350	1250	17	150	86	K300504	PC73UD13C350TF	12,5URD73TTF0350
	400	1250	25	203	93	L300505	PC73UD13C400TF	12,5URD73TTF0400
	450	1250	35	290	99	M300506	PC73UD13C450TF	12,5URD73TTF0450
	500	1250	44	360	110	N300507	PC73UD13C500TF	12,5URD73TTF0500
	550	1250	57	465	116	P300508	PC73UD13C550TF	12,5URD73TTF0550
	630	1250	84	680	125	Q300509	PC73UD13C630TF	12,5URD73TTF0630
	700	1250	113	900	135	R300510	PC73UD13C700TF	12,5URD73TTF0700
	800	1250	190	1530	136	S300511	PC73UD13C800TF	12,5URD73TTF0800
	900	1200	250	1440	150	T300512	PC73UD12C900TF	12URD73TTF0900
	1000	1000	370	2430	152	V300513	PC73UD10C1000TF	10URD73TTF1000
	1100	950	445	2555	168	W300514	PC73UD95V11CTF	9,5URD73TTF1100
	1250	900	585	3080	186	T300696	PC73UD90V13CTF	9URD73TTF1250
	1400	850	755	3700	210	S300718	PC73UD85V14CTF	8,5URD73TTF1400
	1600	690	1430	5740	203	B301301	PC73UD69V16CTF	6,9URD73TTF1600
	1800	600	2040	7150	206	C301302	PC73UD60V18CTF	6URD73TTF1800

# 1250/1300 Volt PSC Square Body

## 1300 Volt North American Style Ratings and Application Data, LI, LLI Mounting

Body Size	Ampere Rating $I_n$ (A)	Rated Voltage $V_n$ (V)	Melting $I^2t$ ( $A^2s \times 10^3$ )	Total Clearing $I^2t$ @ $V_n$ ( $A^2s \times 10^3$ )	Watts Loss @ $I_n$ (W)	Reference No.	Catalog No.	Description
70	63	1300	0.21	1.7	26	W300652	A130UD70LI063	A130URD70LI0063
	80	1300	0.46	3.8	27	X300653	A130UD70LI080	A130URD70LI0080
	100	1300	0.83	6.8	30	Y300654	A130UD70LI100	A130URD70LI0100
	125	1300	1.3	11	38	Z300655	A130UD70LI125	A130URD70LI0125
	160	1300	2.6	21	45	A300656	A130UD70LI160	A130URD70LI0160
	200	1300	4.7	38	56	B300657	A130UD70LI200	A130URD70LI0200
	250	1300	9.6	77	61	C300658	A130UD70LI250	A130URD70LI0250
	315	1300	20	169	72	D300659	A130UD70LI315	A130URD70LI0315
	350	1200	28	180	75	E300660	A120UD70LI350	A120URD70LI0350
71	160	1300	2.6	21	46	E300752	A130UD71LLI160	A130URD71LLI0160
	200	1300	4.7	38	54	F300661	A130UD71LLI200	A130URD71LLI0200
	250	1300	8.9	72	61	G300662	A130UD71LLI250	A130URD71LLI0250
	280	1300	12	96	70	R300717	A130UD71LLI280	A130URD71LLI0280
	315	1300	16	129	76	H300663	A130UD71LLI315	A130URD71LLI0315
	350	1300	22	178	80	J300664	A130UD71LLI350	A130URD71LLI0350
	400	1300	38	308	80	K300665	A130UD71LLI400	A130URD71LLI0400
	450	1300	47	378	95	L300666	A130UD71LLI450	A130URD71LLI0450
	500	1200	68	441	100	M300667	A120UD71LLI500	A120URD71LLI0500
	550	1200	84	548	112	N300668	A120UD71LLI550	A120URD71LLI0550
630	1100	126	820	120	P300669	A110UD71LLI630	A110URD71LLI0630	
72	280	1300	10	85	72	Q300670	A130UD72LI280	A130URD72LI0280
	315	1300	15	125	76	R300671	A130UD72LI315	A130URD72LI0315
	350	1300	21	170	77	S300672	A130UD72LI350	A130URD72LI0350
	400	1300	33	270	80	T300673	A130UD72LI400	A130URD72LI0400
	450	1300	44	360	89	V300674	A130UD72LI450	A130URD72LI0450
	500	1300	57	465	98	W300675	A130UD72LI500	A130URD72LI0500
	550	1300	68	550	120	X300676	A130UD72LI550	A130URD72LI0550
	630	1200	106	860	125	Y300677	A120UD72LI630	A120URD72LI0630
	700	1100	142	920	160	Z300678	A110UD72LI700	A110URD72LI0700
	800	1100	215	1400	146	A300679	A110UD72LI800	A110URD72LI0800
73	315	1300	12	95	84	B300680	A130UD73LI315	A130URD73LI0315
	350	1300	17	140	86	C300681	A130UD73LI350	A130URD73LI0350
	400	1300	25	203	93	D300682	A130UD73LI400	A130URD73LI0400
	450	1300	35	290	100	E300683	A130UD73LI450	A130URD73LI0450
	500	1300	44	360	112	F300684	A130UD73LI500	A130URD73LI0500
	550	1300	57	465	120	G300685	A130UD73LI550	A130URD73LI0550
	630	1300	84	680	132	H300686	A130UD73LI630	A130URD73LI0630
	700	1300	113	900	146	J300687	A130UD73LI700	A130URD73LI0700
	800	1200	190	1530	148	V301824	A130UD73LI800	A130URD73LI0800
	900	1100	250	1460	170	L300689	A110UD73LI900	A110URD73LI0900
	1000	1000	370	2130	174	M300690	A100UD73LI1000	A100URD73LI1000
	1100	1000	445	2555	208	N300691	A100UD73LI1100	A100URD73LI1100
	1250	1000	585	3080	230	J301193	A100UD73LI1250	A100URD73LI1250
	1400	900	755	3700	260	K301194	A090UD73LI1400	A090URD73LI1400
	1600	700	1430	5760	251	P300876	A070UD73LI1600	A070URD73LI1600
1800	650	2040	7150	255	A301599	A065UD73LI1800	A065URD73LI1800	

# 1250/1300 Volt PSC Square Body

## 1300 Volt North American Style Ratings and Application Data, TTI Mounting

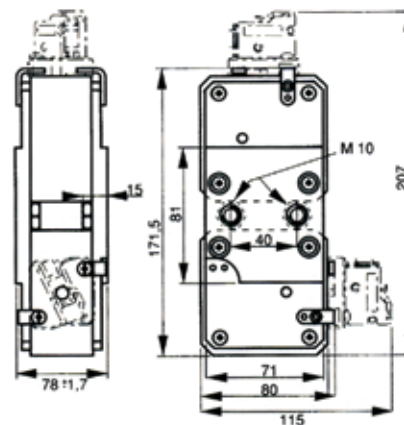
Body Size	Ampere Rating $I_n$ (A)	Rated Voltage $V_n$ (V)	Melting $I^2t$ ( $A^2s \times 10^3$ )	Total Clearing $I^2t$ @ $V_n$ ( $A^2s \times 10^3$ )	Watts Loss @ $I_n$ (W)	Reference No.	Catalog No.	Description
70	63	1300	0.21	1.7	26	Q301015	A130UD70TTI63	A130URD70TTI0063
	80	1300	0.65	3.8	27	R301016	A130UD70TTI80	A130URD70TTI0080
	100	1300	0.83	7.2	30	S301017	A130UD70TTI100	A130URD70TTI0100
	125	1300	1.3	11	38	T301018	A130UD70TTI125	A130URD70TTI0125
	160	1300	2.6	21	45	V301019	A130UD70TTI160	A130URD70TTI0160
	200	1300	4.7	38	54	W301020	A130UD70TTI200	A130URD70TTI0200
	250	1300	9.6	77	58	X301021	A130UD70TTI250	A130URD70TTI0250
	315	1300	20	149	66	Z301023	A130UD70TTI315	A130URD70TTI0315
	350	1200	28	180	68	A301024	A120UD70TTI350	A120URD70TTI0350
71	160	1300	2.6	21	46	B301025	A130UD71TTI160	A130URD71TTI0160
	200	1300	4.7	38	54	C301026	A130UD71TTI200	A130URD71TTI0200
	250	1300	8.9	72	61	D301027	A130UD71TTI250	A130URD71TTI0250
	280	1300	12	96	68	E301028	A130UD71TTI280	A130URD71TTI0280
	315	1300	16	129	73	F301029	A130UD71TTI315	A130URD71TTI0315
	350	1300	22	178	76	G301030	A130UD71TTI350	A130URD71TTI0350
	400	1300	38	308	76	H301031	A130UD71TTI400	A130URD71TTI0400
	450	1300	47	378	87	J301032	A130UD71TTI450	A130URD71TTI0450
	500	1200	68	441	90	K301033	A130UD71TTI500	A130URD71TTI0500
	550	1200	84	548	98	L301034	A120UD71TTI550	A120URD71TTI0550
630	1200	126	820	105	M301035	A120UD71TTI630	A120URD71TTI0630	
72	280	1300	10	85	72	N301036	A130UD72TTI280	A130URD72TTI0280
	315	1300	15	125	76	P301037	A130UD72TTI315	A130URD72TTI0315
	350	1300	21	170	77	Q301038	A130UD72TTI350	A130URD72TTI0350
	400	1300	33	270	80	R301039	A130UD72TTI400	A130URD72TTI0400
	450	1300	44	360	87	S301040	A130UD72TTI450	A130URD72TTI0450
	500	1300	57	465	94	T301041	A130UD72TTI500	A130URD72TTI0500
	550	1300	68	550	110	V301042	A130UD72TTI550	A130URD72TTI0550
	630	1300	106	860	113	W301043	A130UD72TTI630	A130URD72TTI0630
	700	1200	142	920	122	X301044	A120UD72TTI700	A120URD72TTI0700
800	1200	215	1400	125	Y301045	A120UD72TTI800	A120URD72TTI0800	
73	315	1300	12	102	84	Z301046	A130UD73TTI315	A130URD73TTI0315
	350	1300	17	150	86	A301047	A130UD73TTI350	A130URD73TTI0350
	400	1300	25	203	93	B301048	A130UD73TTI400	A130URD73TTI0400
	450	1300	35	290	99	C301049	A130UD73TTI450	A130URD73TTI0450
	500	1300	44	360	110/	D301050	A130UD73TTI500	A130URD73TTI0500
	550	1300	57	465	116	E301051	A130UD73TTI550	A130URD73TTI0550
	630	1300	84	680	125	F301052	A130UD73TTI630	A130URD73TTI0630
	700	1300	113	900	135	G301053	A130UD73TTI700	A130URD73TTI0700
	800	1300	190	1530	136	H301054	A130UD73TTI800	A130URD73TTI0800
	900	1300	250	1660	150	T1013903	A130UD73TTI900	A130URD73TTI0900
	1000	1000	370	2430	152	K301056	A110UD73TTI1000	A110URD73TTI1000
	1100	1000	445	2255	168	L301057	A100UD73TTI1100	A100URD73TTI1100
	1250	1000	585	3080	186	M301058	A100UD73TTI1250	A100URD73TTI1250
	1400	900	755	3700	210	N301059	A090UD73TTI1400	A090URD73TTI1400
1600	700	1430	5740	203	Q300877	A070UD73TTI1600	A070URD73TTI1600	
1800	650	2040	7150	206	R300878	A065UD73TTI1800	A065URD73TTI1800	

# 1250/1300 Volt PSC Square Body

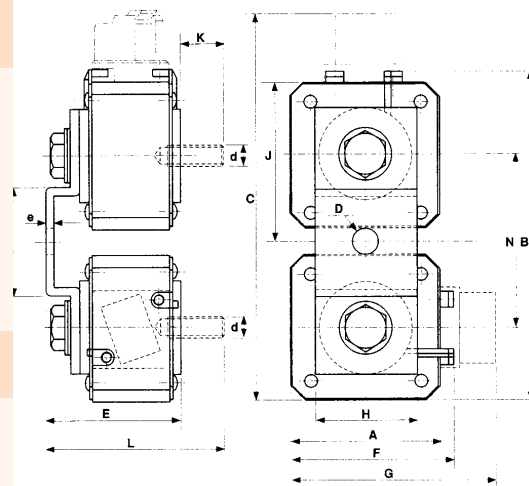
## 1250/1300 Volt, 2x72, 2x73 Protection Semiconductor Fuses

Size	Reference No.	Catalog No.	Description	Weight (g)	
73	H300640	PC73UD13C315PP4	12,5URD73PPAF0315	1250	
	J300641	PC73UD13C350PP4	12,5URD73PPAF0350		
	K300642	PC73UD13C405PP4	12,5URD73PPAF0400		
	L300643	PC73UD13C450PP4	12,5URD73PPAF0450		
	M300644	PC73UD13C500PP4	12,5URD73PPAF0500		
	N300645	PC73UD13C550PP4	12,5URD73PPAF0550		
	P300646	PC73UD13C630PP4	12,5URD73PPAF0630		
	Q300647	PC73UD13C700PP4	12,5URD73PPAF0700		
	R300648	PC73UD13C800PP4	12,5URD73PPAF0800		
	S300649	PC73UD12C900PP4	12URD73PPAF0900		
	T300650	PC73UD10C10CPP4	10URD73PPAF1000		
	V300651	PC73UD95V11CPP4	9,5URD73PPAF1100		
	T300719	PC73UD90V13CPP4	9URD73PPAF1250		
V300720	PC73UD85V14CPP4	8,5URD73PPAF1400			
2 X 72	W300721	PC272UD13C630TF	12,5URD272TTF0630	1750	
	X300722	PC272UD13C700TF	12,5URD272TTF0700		
	Y300723	PC272UD13C800TF	12,5URD272TTF0800		
	Z300724	PC272UD13C900TF	12,5URD272TTF0900		
	A300725	PC272UD13C10CTF	12,5URD272TTF1000		
	B300726	PC272UD13C11CTF	12,5URD272TTF1100		
	M302231	PC272UD11C13CTF	11URD272TTF1250		
	D300728	PC272UD11C14CTF	11URD272TTF1400		
	L302230	PC272UD10C16CTF	10URD272TTF1600		
	E301994	PC272UD90V18CTF	9URD272TTF1800		
2 X 73	F301995	PC272UD75V20CTF	7,5URD272TTF2000	1900	
	G301996	PC272UD65V22CTF	6,5URD272TTF2200		
	H301997	PC272UD65V25CTF	6,5URD272TTF2500		
	F300730	PC273UD13C800TF	12,5URD273TTF0800		2600
	G300731	PC273UD13C900TF	12,5URD273TTF0900		
	H300732	PC273UD13C10CTF	12,5URD273TTF1000		
	J300733	PC273UD13C11CTF	12,5URD273TTF1100		
	K300734	PC273UD13C13CTF	12,5URD273TTF1250		
	K302229	PC273UD11C14CTF	11URD273TTF1400		
	J302228	PC273UD11C16CTF	11URD273TTF1600		
S302236	PC273UD11C18CTF	11URD273TTF1800			
P300738	PC273UD10C20CTF	10URD273TTF2000			
Q300739	PC273UD95V22CTF	9,5URD273TTF2200			
2 X 73 PLAF	M301909	PC76UD95V22CP11	9,5URD273PLAF2200	2700	
	R300740	PC76UD90V25CP11	9URD273PLAF2500		
	S300741	PC76UD85V28CP11	8,5URD273PLAF2800		
	K301999	PC76UD60V30CP11	6URD273PLAF3000		
	M302001	PC76UD60V32CP11	6URD273PLAF3200		
	N302002	PC76UD55V36CP11	5,5URD273PLAF3600		

PLAF



TTF



Microswitches and threaded studs supplied separately (see pages J8)

### Dimensions (mm)

SIZE	A	B	C	D	E	F	G	H	J	K	d	e	L	M	N
2 X 72 TTF	60	138.5	172	11	91	65.5	100	35	66	39	M 10	4	131	48	72
2 X 73 TTF	74.5	167	200	13	91	79.6	114	50	80	39	M 12	4	131	54	86
2 X 73 PLAF	Dimensions on image above														