



**GWLX/GWLX-SMT Series**  
*Right Angle Modular Jack with LED, Tab up*

## Features



- Easy Viewing LEDs to Act as Power/Transmit Indicators
- Snap-In Retention Tabs
- Available Fully Shielded for EMI/RFI Protection
- Available Through Hole and Surface Mount
- CSA/NRTL Certified File No. LR78160

## Performance Specifications

### Materials and Finish

#### Housing Material

High Temperature Thermoplastic

#### Shield Material

Copper Alloy, Nickel Plated

#### Contact Material

Phosphor Bronze

### Electrical Characteristics

#### Insulation Resistance

500 Megohms Min.

#### Contact Resistance

20 milliohms Max.

#### Current Rating

1.5A

#### Voltage Rating

125V DC

#### Operating Temperature

-40°C to +85°C

#### Durability Rating

500 Mating Cycles Min.

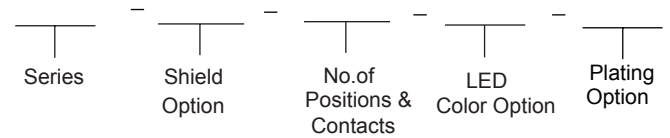
## MODULAR JACKS & PLUGS

### GWLX / GWLX-SMT Series

#### Documentation & Ordering Information


#### Kycon Part #

#### Part Number Builder



#### Series

GWLX - Modular Jack with LED, Through Hole

GWLX-SMT - Modular Jack with LED, Through Hole

#### Shield Options

N - Non-Shielded

S - Fully Shielded

S2 - Fully Shielded with Side Ground Tabs

S9 - Shielded with Top & Side Tabs

#### Number of Positions/Contacts

88 - 8 Positions / 8 Contacts

#### LED Color

G/G - Left: Green, Right: Green

Y/Y - Left: Yellow, Right: Yellow

Y/G - Left: Yellow, Right: Green

G/Y - Left: Green, Right: Yellow

G/R - Left: Green, Right: Red

#### Plating Option

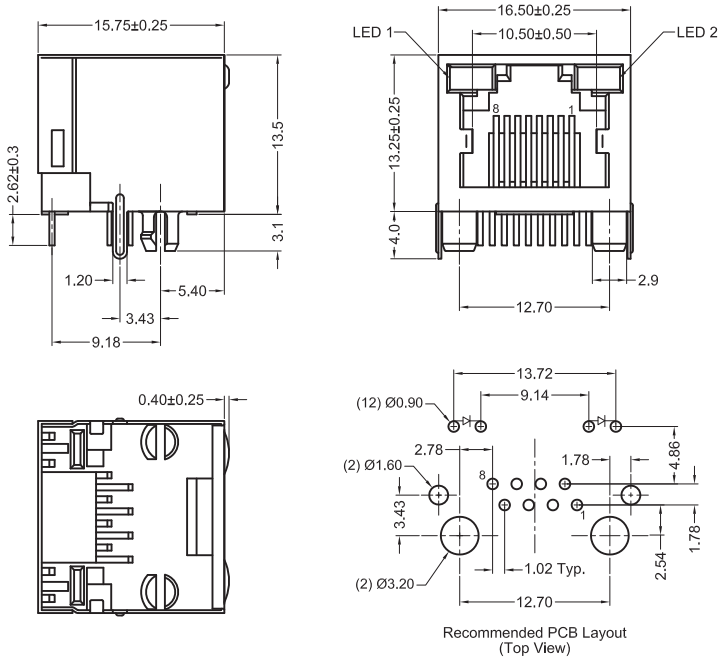
Blank - Gold Flash

50 - 50µ" Gold Plating

Contact Kycon for LED and other options.

\*See next page for dimension

**GWLX-S-88-x/x**  
Dimensions in mm



**GWLX-SMT-S988x/x**  
Dimensions in mm

