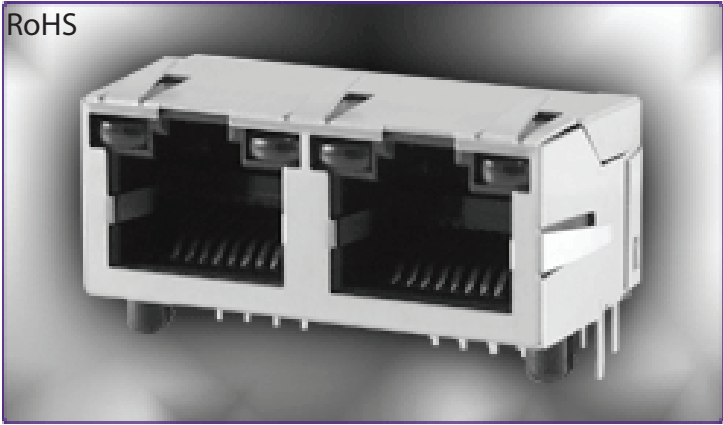


RoHS



GWLGX Series Right Angle Ganged Jack with LED

Features



- Easy Viewing LEDs to act as Power/Transmit Indicators
- Snap-In Retention Tabs
- Available Fully Shielded for EMI/RFI Protection
- CSA/NRTL Certified File No. LR78160

Performance Specifications

Materials and Finish

Housing Material

Thermoplastic, UL 94V-0 Rated, Black Color

Shield Material

Copper Alloy, Nickel Plated

Contact Material

Phosphor Bronze

Electrical Characteristics

Insulation Resistance

500 Megohms Min.

Contact Resistance

20 milliohms Max.

Current Rating

1.5A

Voltage Rating

125V DC

Operating Temperature

-40°C to +85°C

Durability Rating

500 Mating Cycles Min.

MODULAR JACKS & PLUGS

GWLGX Series

Documentation & Ordering Information

Kycon Part

Part Number Builder

Series	Shield Option	No. of Ports	No. of Positions & Contacts	LED Color	Plating Option
--------	---------------	--------------	-----------------------------	-----------	----------------

Series

GWLGX - Ganged Modular Jack with LED, Tab up

Shield Option

S1 - Fully Shielded with Top and Side Grounding Tabs

Number of Ports

2 - 2 Port
4 - 4 Port
8 - 8 Port

Number of Positions/Contacts

88 - 8 Positions / 8 Contacts

LED

G/G - LED 1: Green, LED 2: Green
Y/G - LED 1: Yellow, LED 2: Green
G/Y - LED 1: Green, LED 2: Yellow
G/R - LED 1: Green, LED 2: Red
R/G - LED 1: Red, LED 2: Green

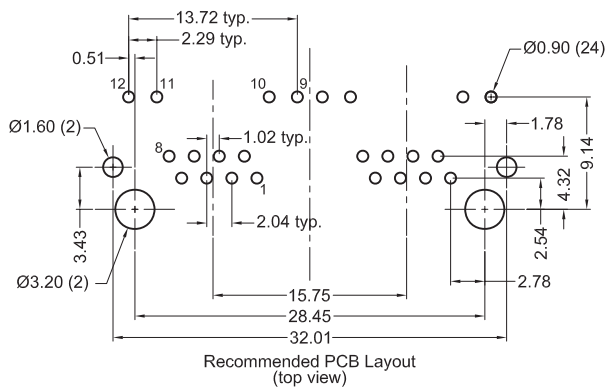
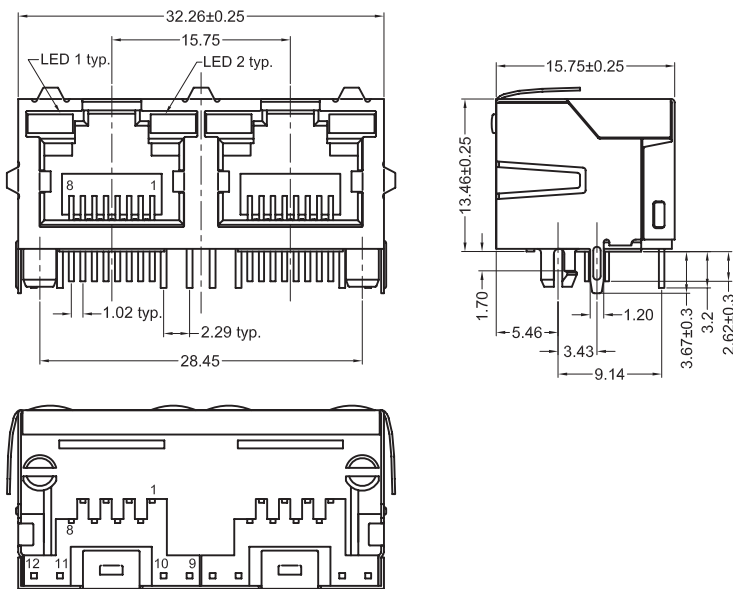
Plating Option

Blank - Standard

Contact Kycon for other options.

*See next page for dimensions

GWLGX-S1288-x-x
Dimensions in mm



LED Characteristics

LED Color	Forward DC Current (units: mA)	Forward Voltage (units: V)	Reverse Voltage (units: V)	Power Dissipation (units: mW)
green	25	2.2 Typ. (2.5 Max.)	5	105
red	30	2.0 Typ. (2.5 Max.)	5	105
yellow	30	2.1 Typ. (2.5 Max.)	5	105

LED Schematics

	Pin No.	Single Color (G, R, or Y)	Pin No.
LED 1	12	+	11
LED 2	10	+	9