

*GSGX Series (w/ Panel Grounding Tabs)
Right Angle Ganged Jack*

Features   

- Available in up to 8 Ports
- Available Fully Shielded for Category 5 Applications
- Reflow Compatible Through Hole Design
- CSA/NRTL Certified File No. LR78160

Performance Specifications

Materials and Finish

- Housing Material**
PBT Thermoplastic, UL 94V-0 Rated, Black Color
- Shield Material**
Copper Alloy, Nickel Plated
- Contact Material**
Phosphor Bronze

Electrical Characteristics

- Insulation Resistance**
500 Megohms Min.
- Dielectric Withstanding Voltage**
1000V RMS, 60 Hz
- Contact Resistance**
20 milliohms Max.
- Current Rating**
1.5A
- Voltage Rating**
125V DC
- Operating Temperature**
-40°C to +85°C
- Durability**
500 Mating Cycles Min.

MODULAR JACKS AND PLUGS

GSGX Series

Documentation & Ordering Information

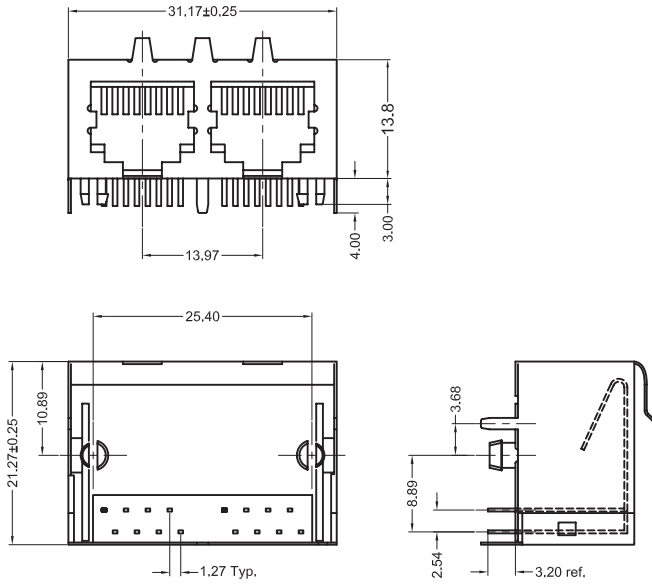
Kycon Part #	
---------------------	--

Part Number Builder

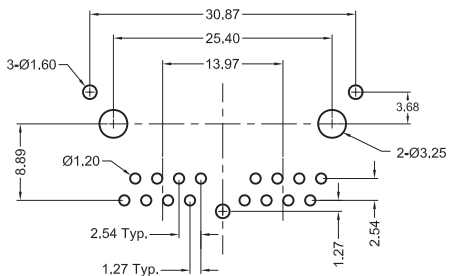
—	—	—	—	—	—	—
Series	Shield Option	No. of Ports	No. of Positions	No. of Contacts	Ground Pin Spacing	Plating Option
Series						
GSGX - Right Angle Ganged Jack						
Shield Options						
NS2 - Shielded with Top Only Ground Tabs						
NS7 - Shielded with Top and Side Grounding Tabs						
Number of Ports						
2 - 2 Port						
4 - 4 Port						
5 - 5 Port						
6 - 6 Port						
8 - 8 Port						
Number of Positions/Contacts						
88 - 8 Positions / 8 Contacts						
Ground Pin Spacing						
3.68 - 3.68mm Ground Pin Spacing						
4.57 - 4.57mm Ground Pin Spacing						
Plating Option						
Blank - Standard						
50 - 50µ" Gold Plating						

*See next page for dimensions

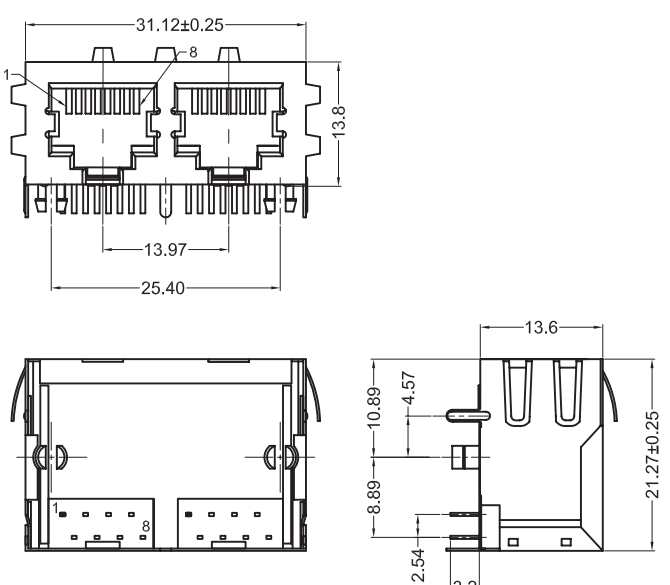
GSGX-NS2-288-368
Dimensions in mm



Recommended PCB Layout
(Top View)



GSGX-NS7-288-457
Dimensions in mm



Recommended PCB Layout
(Top View)

