

MICRO SWITCH

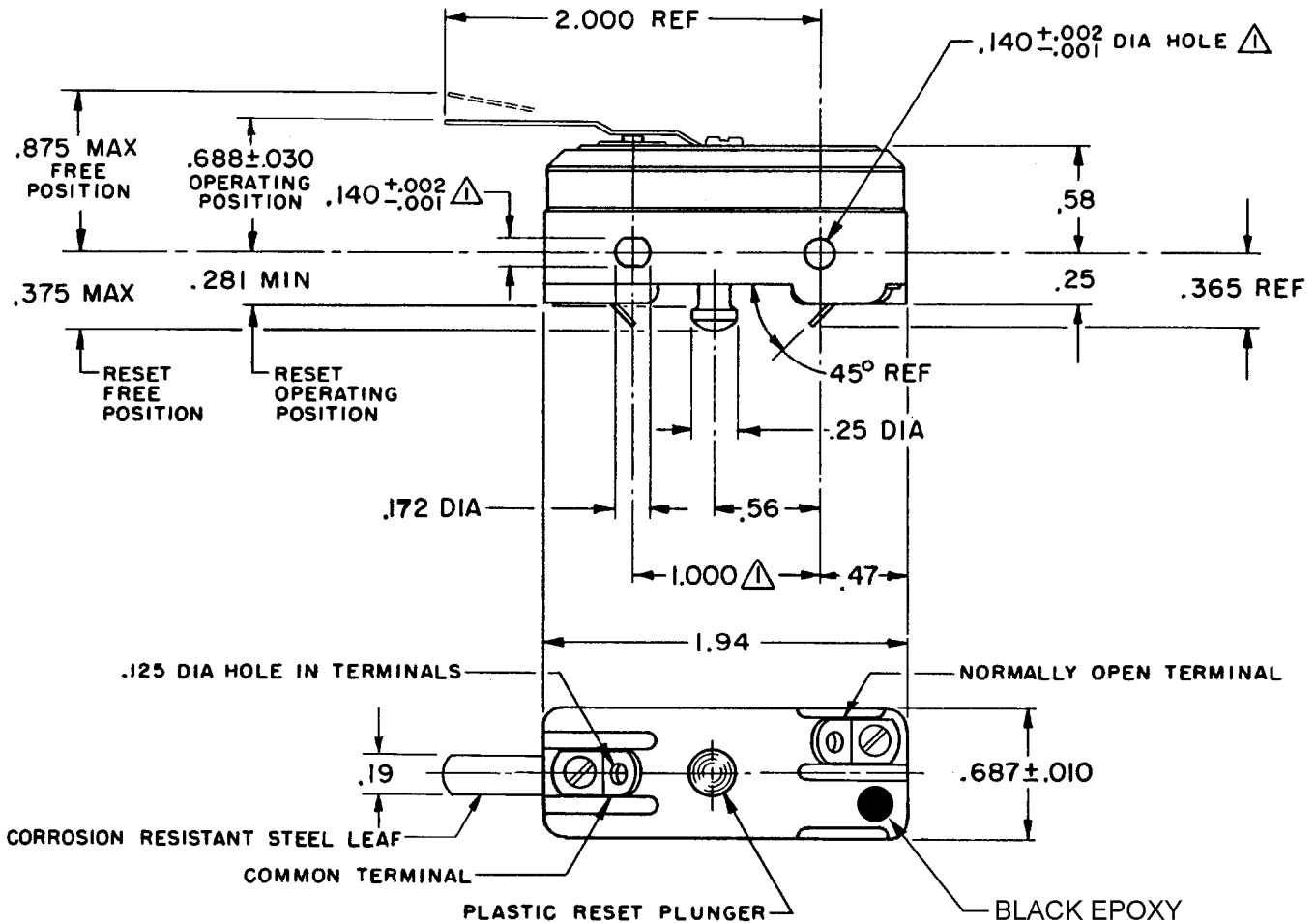
A DIVISION OF MINNEAPOLIS-HONEYWELL REGULATOR COMPANY
FREEPORT, ILLINOIS

FED. MFG. CODE 91929

SWITCH - BASIC

CATALOG LISTING

G - RLX



NOTE -

- \triangle - MOUNTING HOLES WILL ACCEPT PINS OR SCREWS OF $.139$ MAX DIA ON $1.000 \pm .002$ CENTERS
- THIS SWITCH IS AN OBSOLESCENT TYPE AVAILABLE FOR REPLACEMENT ONLY. CONSULT US FOR ALTERNATE IMPROVED TYPES RECOMMENDED FOR NEW APPLICATIONS

THIS DRAWING COVERS A PROPRIETARY ITEM AND IS THE PROPERTY OF MICRO SWITCH, A DIVISION OF MINNEAPOLIS-HONEYWELL REGULATOR CO. THIS DRAWING IS NOT TO BE COPIED OR USED WITHOUT THE APPROVAL OF MICRO SWITCH.

CHARACTERISTICS		ELECTRICAL DATA		SCALE FULL
OPERATING FORCE ----- 5 OZ MAX		CONTACT ARRANGEMENT		DO NOT SCALE PRINT
DO NOT OVERTRAVEL MORE THAN ----- .060		SINGLE POLE NORMALLY OPEN MAINTAINED CONTACT		UNLESS OTHERWISE SPECIFIED DIMENSIONS ARE IN INCHES
RESET CHARACTERISTICS		UNDERWRITERS' LAB. INC. LISTED RATING		
OPERATING FORCE ----- 2-10 OZ		-L 67- 15 A - 125, 250, OR 480 VAC		TOLERANCES ARE:
OVERTRAVEL ----- .015 MIN		1/4 HP - 125 VAC; 1/2 HP - 250 VAC		ONE PLACE (.0) $\pm .030$
		1/2 A - 125 VDC; 1/4 A - 250 VDC		TWO PLACE (.00) $\pm .015$
				THREE PLACE (.000) $\pm .005$
				ANGLES \pm
				WEIGHT

M G-RLX
 DRAWING NUMBER
15
 ISSUE
 REVISIONS

A	CO 16325
GCH 29 JAN 62	
B	CO17410
LEB 29 MAR 63	
C	CO 77592
DAW 15 AUG 94	
D	0001191
JLH 20 AUG 03	

 CHECK
 JUNE '62
 CHECK DAW
 29 JAN 62
 GCH
 DRAWN
RASTER

G-RLX ISSUE II

REPLACES

RELEASE NO.

CHECK

CHECK

CHECK DAW

GCH 29 JAN 62