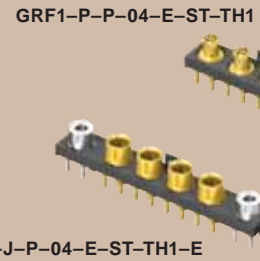
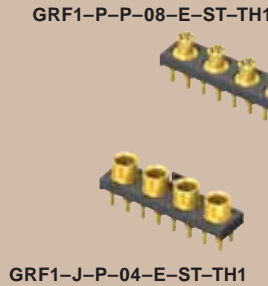


(5,00 mm) .197"

GRF1-J, GRF1-P SERIES



50Ω GANGED MICRO-MINI RF SYSTEMS

SPECIFICATIONS

For complete specifications and recommended PCB layouts see www.samtec.com?GRF1-J or www.samtec.com?GRF1-P

- Shell Material:** Brass
- Insulator Material:** PTFE
- Contact Material:** BeCu
- Pin Material:** Brass
- Plating:** 30µ" (0,76 µm) Au over 50µ" (1,27 µm) Ni
- Current Rating (GRF1-J/GRF1-P):** Signals: 3.6 A per pin (8 adjacent pins powered) Grounds: 6.2 A per pin (8 adjacent pins powered)
- Operating Temp Range:** -40°C to +90°C
- Insulation Resistance:** 1000MΩ min
- Contact Resistance:** Center: 5mΩ Outer: 2.5mΩ
- Impedance:** 50Ω
- Dielectric Withstanding Voltage:** 500 Vrms, 50Hz
- Dielectric Working Voltage:** 170 Vrms, 50Hz
- Frequency Range:** 0-6 GHz
- RoHS Compliant:** Yes

Processing:

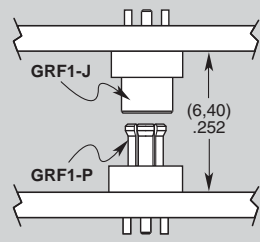
Lead-Free Solderable: Yes

RECOGNITIONS

For complete scope of recognitions see www.samtec.com/quality

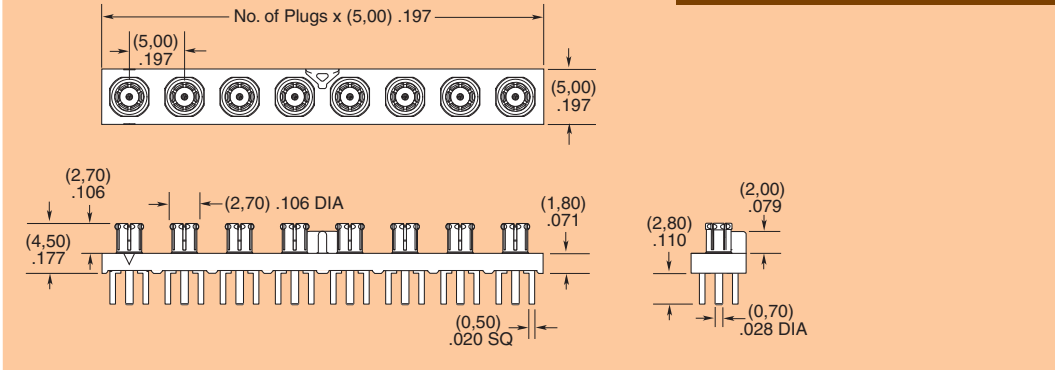
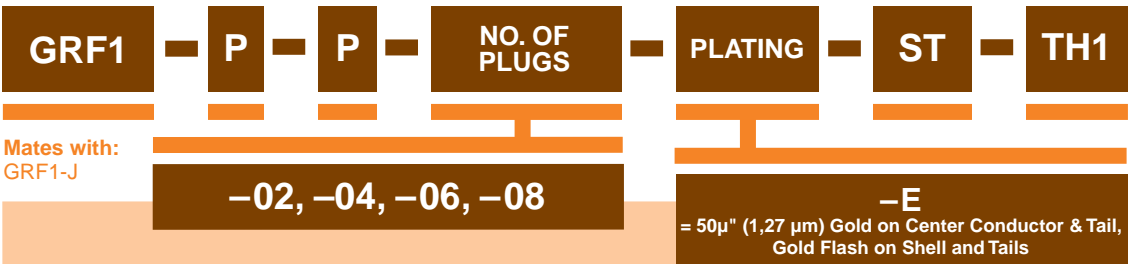
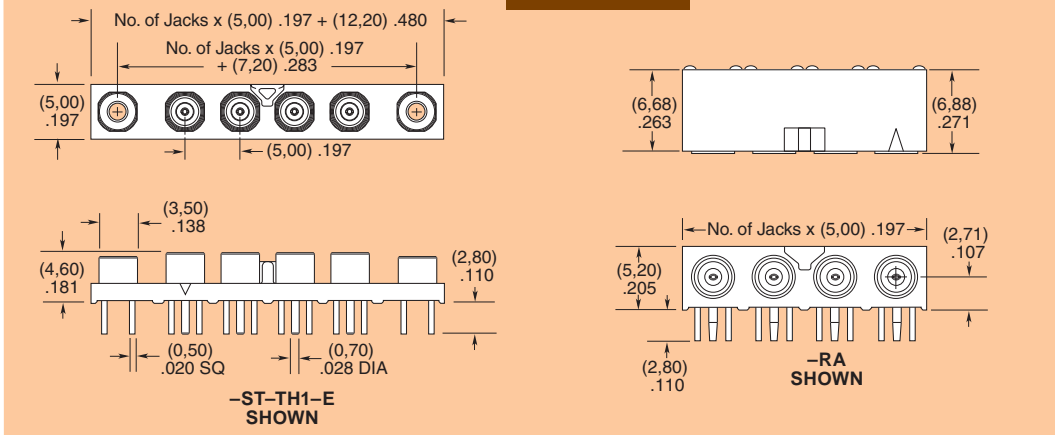
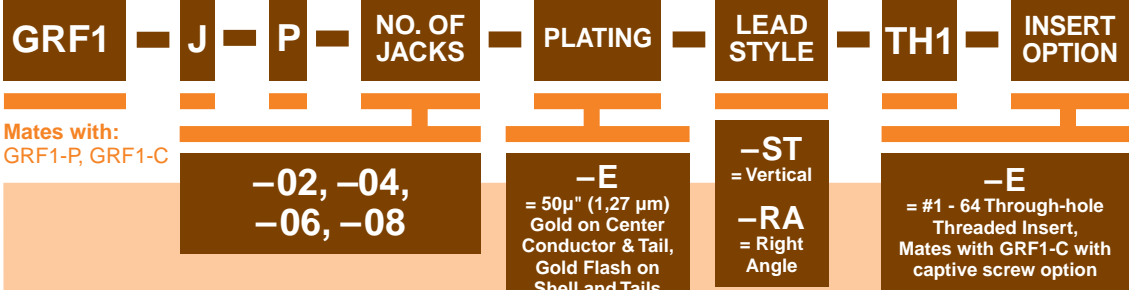


APPLICATION



OTHER SOLUTIONS

- Cable assembly (see GRF1-C Series)



Due to technical progress, all designs, specifications and components are subject to change without notice.

WWW.SAMTEC.COM