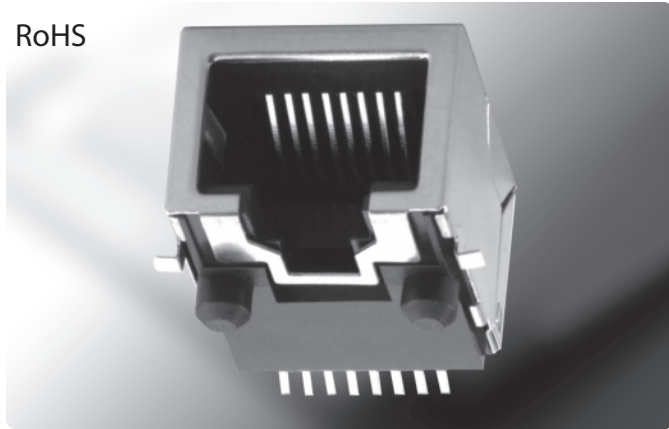




KYCON

RoHS



GMX-SMT2 Series Surface Mount Modular Jack

Features



- Low Profile Design Suitable for PC Add-On Board Applications
- Available in 4, 6, 8, and 10 Position Housings
- Available Fully Shielded for EMI/RFI Protection
- CSA/NRTL Certified File No. LR78160

Performance Specifications

Materials and Finish

Housing Material

High Temperature Thermoplastic, Reflow Compatible, UL 94V-0 Rated, Black Color

Shield Material

Copper Alloy, Nickel Plated

Contact Material

Phosphor Bronze

Electrical Characteristics

Insulation Resistance

500 Megohms Min.

Dielectric Withstanding Voltage

1000V RMS, 60 Hz

Contact Resistance

20 milliohms Max.

Current Rating

1.0A

Voltage Rating

125V DC

Operating Temperature

-40°C to +85°C

Durability

1000 Mating Cycles Min.

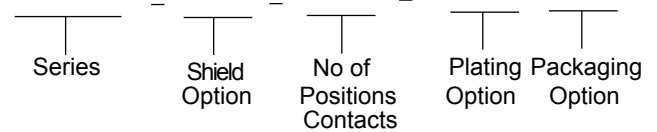
MODULAR JACKS AND PLUGS

GMX-SMT2 Series

Documentation & Ordering Information

Kycon Part #

Part Number Builder



Series

GMX-SMT2 - Surface Mount Right Angle Modular Jack with Post

Shield Option

N - Non-Shielded (Available with 4-10 Positions)

S - Shielded with Thru Hole Shield Pins (Available with 6-10 Positions)

S2 - Shielded with SMT Shield Tabs (Available with 6-10 Positions)

S6 - Shielded with Top and Side Grounding Tabs, SMT Shield Pins. (Available only with 8 & 10 Positions)

S7 - Fully Shielded with Top and Side Grounding Tabs, Thru Hole Shield. (Available only with 8 Positions)

Number of Positions/Contacts

44 - 4 Positions / 4 Contacts

64 - 6 Positions / 4 Contacts

66 - 6 Positions / 6 Contacts

88 - 8 Positions / 8 Contacts

1010 - 10 Positions / 10 Contacts

Plating Option

Blank - Gold Flash

50 - 50µ" Gold Plating

Packaging

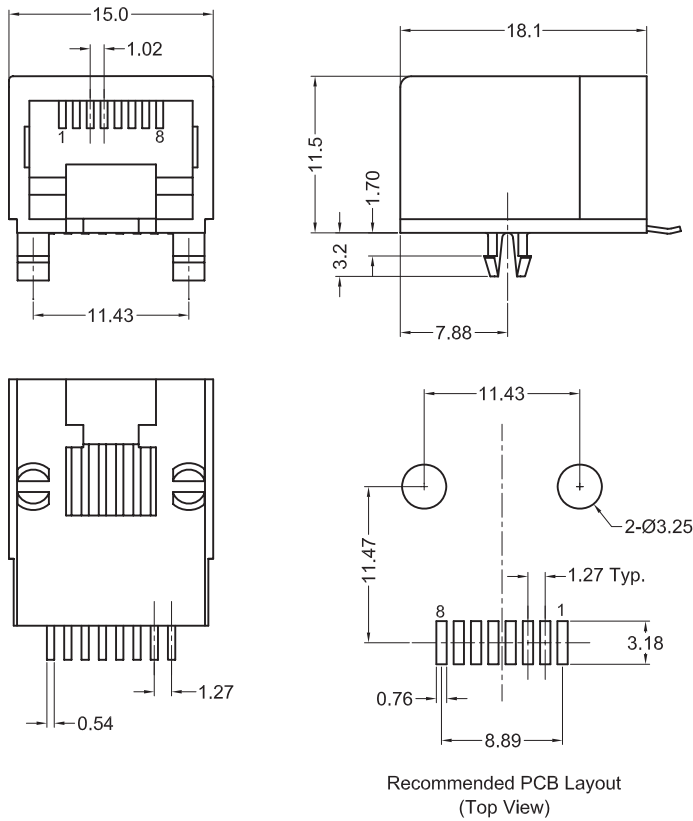
Blank - Bulk

TR - Tape & Reel

Contact Kycon for other options.

*See next page for dimensions

GMX-SMT2-N-88
Dimensions in mm



GMX-SMT2-S7-88
Dimensions in mm

