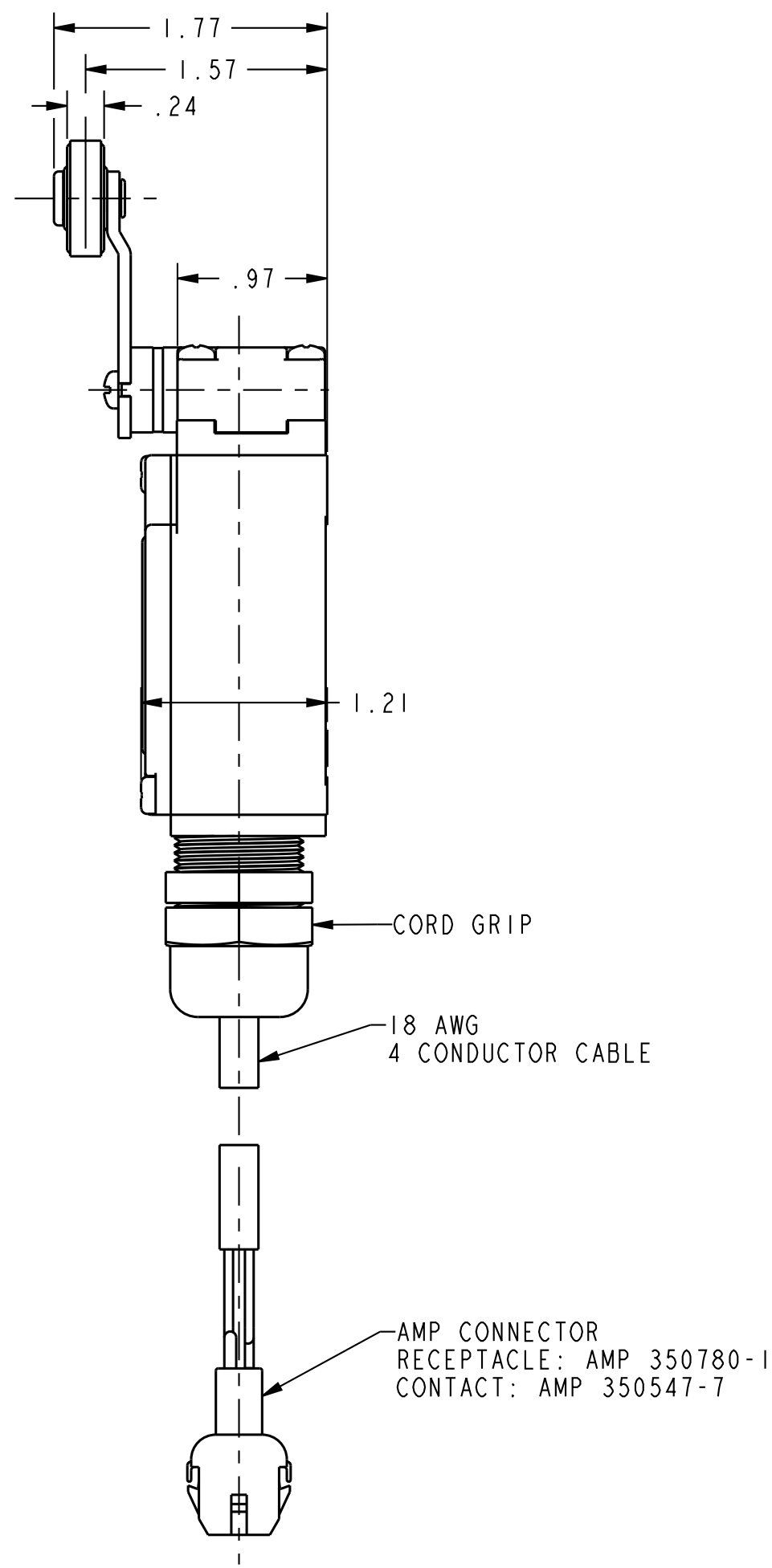
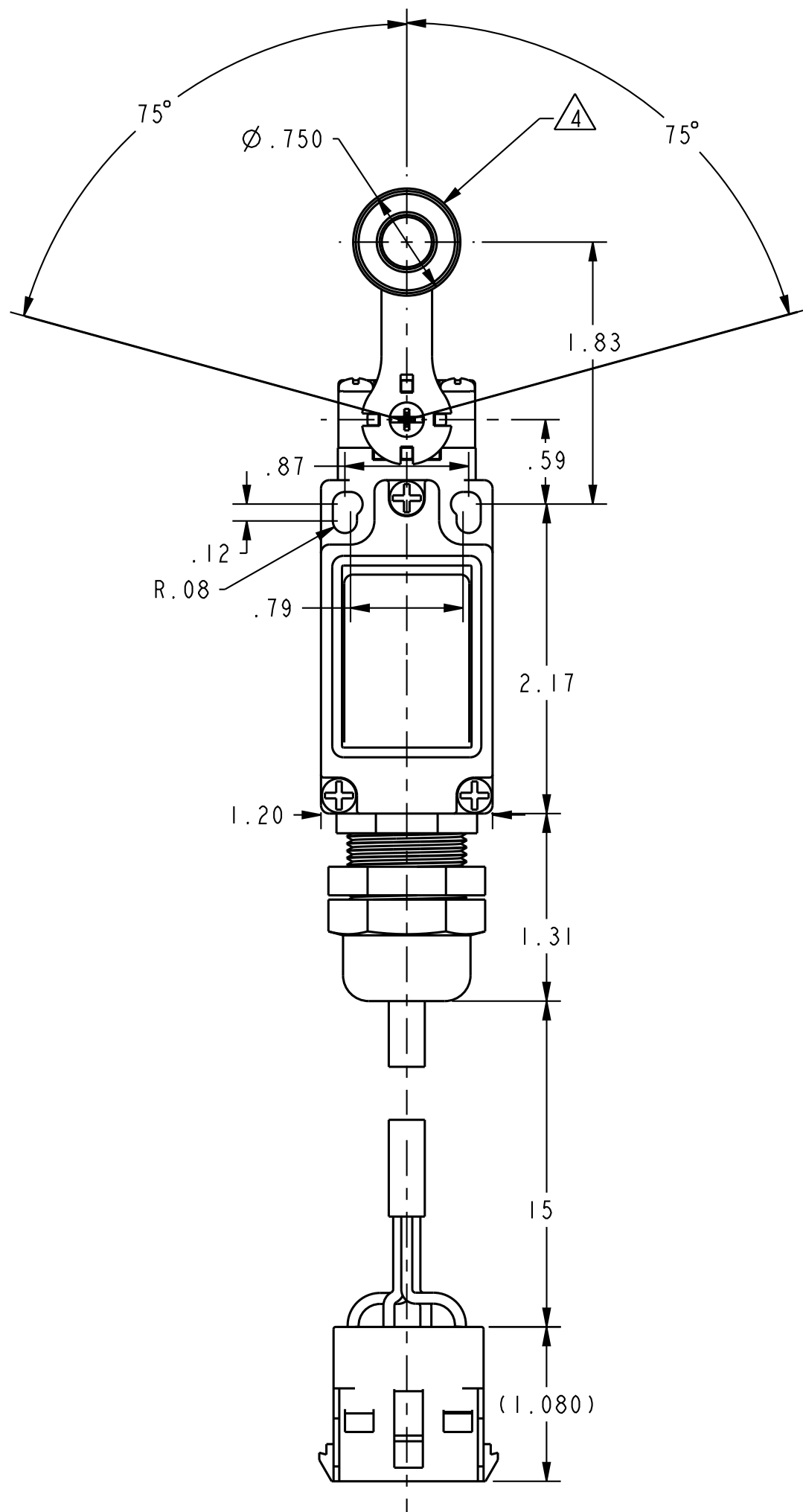


HONEYWELL  
PART NUMBER  
GLDB01A1A-F048

REV	DOCUMENT	CHANGED BY	CHECK
E	0088539	DJS 30APR12	CMH



ANGULAR ACTUATION		
CONTACT BLOCK DIAGRAM	NOMINAL TRAVELS AND RELATED TERMINALS ■ - CONTACT CLOSED, □ - CONTACT OPEN	NOMINAL OPERATING FORCE MAX N LBF
<p>SNAP ACTION CONTACTS SINGLE POLE</p>	<p>FP - 0° OP - 26° RP - 14.5° DT - 11.5° OT - 54° to 61° to 75°</p>	<p>2.4 .55</p>

NOTES:

- 1 - PLASTIC BODY AND COVER WITH DIE-CAST HEAD FINISHED IN EPOXY PAINT.
- 2 - FREE POSITION (FP), OVERTRAVEL (OT) AND PRETRAVEL (PT) ALL TO EN50047.
- 3 - SWITCH WIRED: 1 - NORMALLY CLOSED (BLACK)  
2 - NORMALLY CLOSED (WHITE)  
3 - NORMALLY OPEN (RED)  
4 - NORMALLY OPEN (GREEN)
- 4 - ROLLER MATERIAL STEEL.
- 5 - OPERATING TEMP: -40°C TO 85°C (-40°F TO 185°F)

APPROVALS:  
AC15 A600  
DC13 Q300  
IP 66, NEMA 1, 2  
IEC/EN 60947-5-1



DESIGN UNITS: INCH  
TOLERANCES UNLESS NOTED:  
NO PLACES .x ± .400  
ONE PLACE .x ± .03  
TWO PLACE .xx ± .015  
THREE PLACE .xxx ± .005  
FOUR PLACE .xxxx ± .0005  
ANGLES x ± 3

THIRD ANGLE PROJECTION



DRAWN	BS	30 APR 07
CHECK	PSR	30 APR 07
THIS DRAWING COVERS A PROPRIETARY ITEM AND IS THE PROPERTY OF HONEYWELL. THIS DRAWING IS NOT TO BE COPIED OR USED WITHOUT THE PERMISSION OF HONEYWELL.		
INTERPRET PER ASME Y14.5M-1994 OTHER HONEYWELL ENGINEERING STANDARDS MAY APPLY		

Pro/ENGINEER 3D

<b>Honeywell</b>			
TITLE <b>SWITCH, LIMIT</b>			
SIZE <b>C</b>	TYPE <b>I</b>	DRAWING NAME <b>GLDB01A1B-F048</b>	REV <b>E</b>
SCALE FULL		SHEET 1 OF 1	