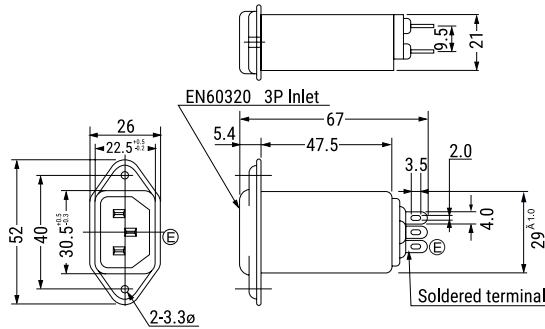


KEMET, GL, EMI/RFI Filters, Noise Suppression, 250 VAC



General Information

Series:	GL
Style:	Metal Box
Description:	Noise Filters
RoHS:	Yes
Qualifications:	UL, CSA, TUV
Miscellaneous:	30 K Self-Temperature Rise Max.
Lead:	Screw Terminals
Terminal Type:	Screw

Dimensions

L	67mm NOM
W	52mm NOM
H	26mm NOM
Lead	Screw Terminals

Packaging Specifications

Packaging:	Tray, Box
Packaging Quantity:	25
Component Weight:	50 g

Specifications

Voltage AC:	250 VAC
Voltage:	1500 VAC Withstanding Voltage 1 Min. Line to Ground
Rated Current:	6 A (AC/DC)
Rated Temperature:	55°C
Temperature Range:	-25/+55°C
Leakage Current:	0.5 mA MAX (250 V 60 Hz)
Resistance:	300 MOhms MIN Insulation 500 VDC 1 Min. Line To Ground