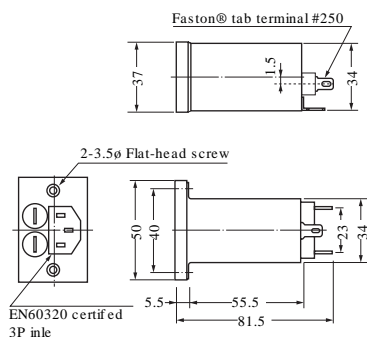


KEMET, GL, EMI/RFI Filters, Noise Suppression, 250 VAC



General Information	
Series:	GL
Style:	Metal Box
Description:	Noise Filters
RoHS:	With Exemptions
Qualifications:	TUV
Miscellaneous:	30 K Self-Temperature Rise Max.
Lead:	Screw Terminals
Terminal Type:	Screw

Dimensions	
L	81.5mm NOM
W	50mm NOM
H	37mm NOM
Lead	Screw Terminals

Specifications	
Voltage AC:	250 VAC
Voltage:	1500 VAC Withstanding Voltage 1 Min. Line to Ground
Rated Current:	3 A (AC/DC)
Rated Temperature:	55°C
Temperature Range:	-25/+55°C
Leakage Current:	0.5 mA MAX (250 V 60 Hz)
Resistance:	300 MOhms MIN Insulation 500 VDC 1 Min. Line To Ground

Packaging Specifications	
Packaging:	Tray, Box
Packaging Quantity:	20
Component Weight:	90 g

Statements of suitability for certain applications are based on our knowledge of typical operating conditions for such applications, but are not intended to constitute - and we specifically disclaim - any warranty concerning suitability for a specific customer application or use. This Information is intended for use only by customers who have the requisite experience and capability to determine the correct products for their application. Any technical advice inferred from this Information or otherwise provided by us with reference to the use of our products is given gratis, and we assume no obligation or liability for the advice given or results obtained.