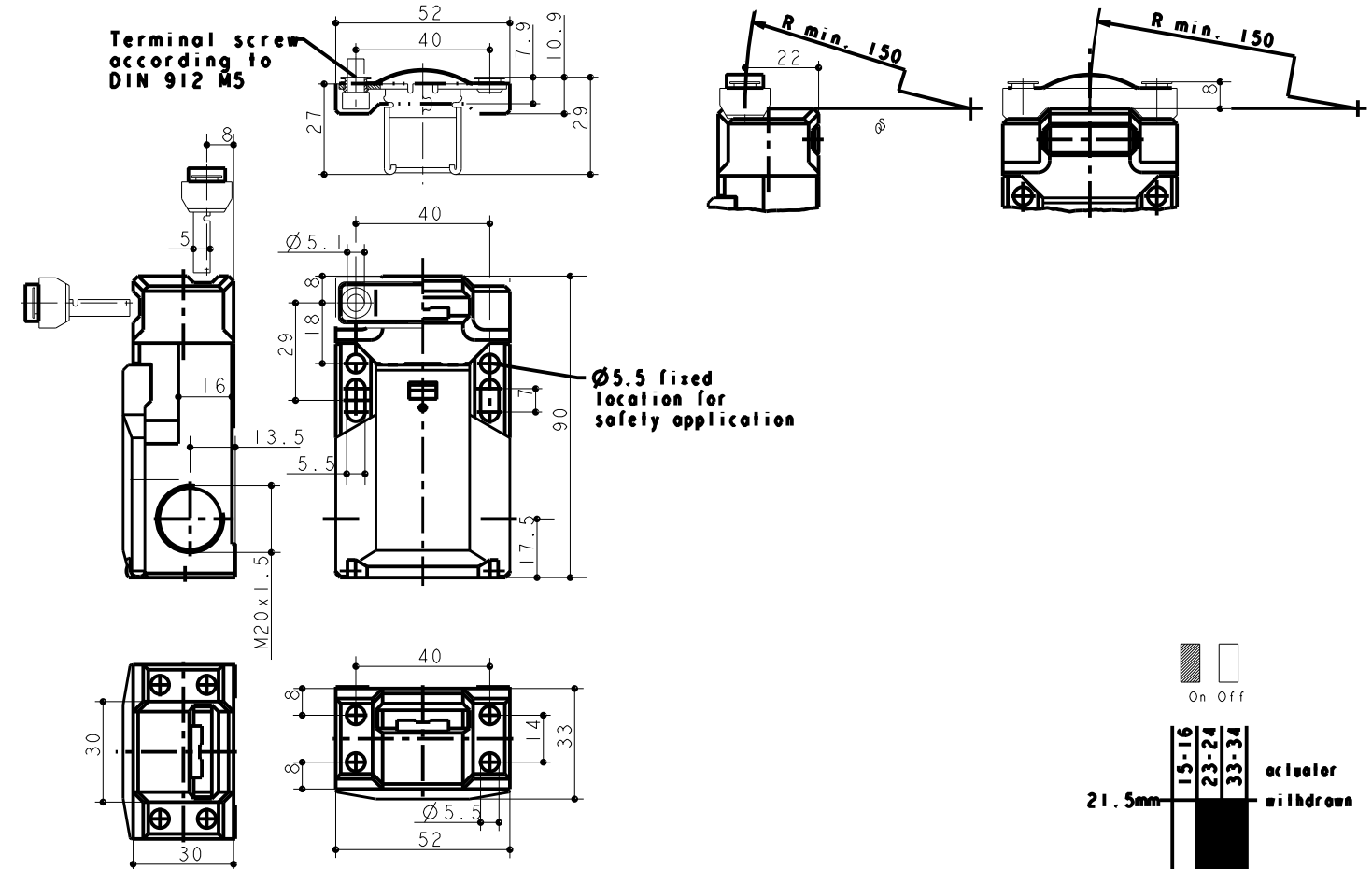


HONEYWELL  
PART NUMBER  
GKNC33L

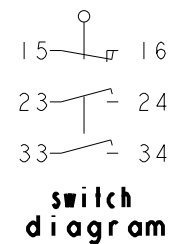
REV	DOCUMENT	CHANGED BY	CHECK
A	0003478	VA 02APR04	AK

<b>Mechanical features</b>	<b>Electrical features</b>
<p>Enclosure: Thermoplastic, glass fibre reinforced (UL94-V0)                  Cover: Thermoplastic, glass fibre reinforced (UL94-V0)                  Actuator: separate actuator (Steel-stainless steel)                  Temperature: -30°C up to +80°C                  Contact type: 1 NC-contact, 2 NO-contact (Zb)                  Mechanical life: 1x10<sup>6</sup> switch operations                  Switch frequency: 30/min                  Mounting: enclosure 2xM5, actuator 2xM5                  Connection type: 6 screw connections M3                  Conductor cross-section: single core 0.5-1.5mm<sup>2</sup></p> <p>Cable entry size: 2 x M20x1.5                  Weight: approx. 0,15 kg                  Mounting position: selectable                  Protection class (IP-Code): IP65 according to EN 60529, DIN VDE 0470 T1</p> <p>The rated protection class (IP-Code) is valid only with closed cover and when using an at least equivalent cable gland.</p>	<p>Rated insulation voltage: U<sub>i</sub> = 400V AC B300/ 150V DC R150                  Conventional thermal current: I<sub>th</sub> = 6A AC/ 1A DC                  Utilization categorie: AC-15 / DC-13                  Short circuit protection: Fuse 6A gL/gG, IEC/EN 60947-5-1, appendix K                  CSA: 6A 300V AC, B300 (same pol.)</p>
	<b>Approvals</b>
	<b>Standards</b>
	<p>VDE 0660 T100, EN 60947-1                  VDE 0660 T200, EN 60947-5-1                  IEC 947-5-1                  GS-ET 15</p> <p>Positive opening operation according to DIN EN 60947-5-1 IEC 60947-5-1</p>
<b>Approach possibilities</b>	<b>Specials / Remarks</b>
	<ul style="list-style-type: none"> <li>Turning the cap (pos A/B) allow 4 different directions of drive</li> <li>Cover (1) has to be opened before turning the cap (2).</li> <li>Insert the screwdriver into the gap between housing and cap and turn until the cap snaps off.</li> <li>Remove the cap, turn it 180° (4), latch it into the housing and close the cover.</li> <li>Radial actuation may reduce the mechanical life.</li> <li>The min. radius refers to a pivot at the top of the cap.</li> <li>Unused actuator entry slot must be covered by the plug.</li> <li>Do not use the switch as end stop.</li> </ul>



**NOTES**

- ALL DIMENSIONS REFERENCE ONLY
- KEY INSERTION FORCE: 2 N REF.
- KEY EXTRACTION FORCE: 10 N ± 1 N
- TOLERANCE OF OPERATION: ±0,25mm
- KEY SHOWN FOR REFERENCE ONLY, MUST BE PURCHASED SEPARATELY



DESIGN UNITS: INCH  
TOLERANCES UNLESS NOTED:

NO PLACE	X	±
ONE PLACE	.X	±
TWO PLACE	.XX	±
THREE PLACE	.XXX	±
FOUR PLACE	.XXXX	±
ANGLES	X	±

THIRD ANGLE PROJECTION

DRAWN	VA	02APR04
CHECK	AK	02APR04
THIS DRAWING COVERS A PROPRIETARY ITEM AND IS THE PROPERTY OF HONEYWELL. THIS DRAWING IS NOT TO BE COPIED OR USED WITHOUT THE PERMISSION OF HONEYWELL.		
INTERPRET PER ASME Y14.5M-1994 OTHER HONEYWELL ENGINEERING STANDARDS MAY APPLY		
Pro/ENGINEER		

<b>Honeywell</b>			
TITLE <b>SWITCH - DOOR INTERLOCK</b>			
SIZE	TYPE	DRAWING NAME	REV
<b>B</b>	<b>I</b>	<b>GKNC33L</b>	<b>A</b>
SCALE	NONE	SHEET	1 OF 1