

2A Explosion Protected Disconnect Switches

10, 20, 40, 80, 125 and 180 Amp
600VAC Non-metallic Enclosure

cCSAus Certified
Cl. I, Div. 2, Groups A, B, C, D
Cl. I, Zones 1 and 2, AEx de IIC, T6
Cl. II, Div. 1, Groups E, F, G (CSA)
Cl. II, Div. 2, Groups F, G
ATEX Approved
Ex de IIC, T6, Zones 1 and 2, IP66

Applications:

Explosion Protected Disconnect Switches are used in a metallic conduit or cable system for surface mounting to control motor, lighting, and other circuits and:

- For individual motor control
- Are used to prevent arcing internal to the enclosed switch from causing ignition of a specific hazardous atmosphere or atmospheres
- Are designed for industrial areas such as chemical plants, oil and gas refineries, paint and varnish manufacturing plants, gasoline bulk loading terminals, and finishing areas where sturdy, durable enclosures are required

Features:

- Explosion protected factory sealed motor circuit switches.
- Innovative break-line in cover allows full wiring access, making installation quick and easy.
- High-impact enclosure is designed for excellent corrosion resistance and will not warp from hot or cold water.
- Tongue-in-groove seal guarantees IP66 rating and eliminates possibility of accidental opening or leakage.
- Lockable handle meets OSHA lockout/tagout requirements.
- Molded-in-place mounting feet provide a water channel between wall and enclosure.
- Large rotary handle provides easy gripping with gloved hands.
- Captive cover screws prevent water exposure and possible corrosion.

Certifications and Compliances:

- cCSAus Certified
- Class I, Division 2, Groups A, B, C, D
- Class I, Zones 1 and 2, AEx de IIC, T6
- Class II, Division 1, Groups E, F, G (CSA)
- Class II, Division 2, Groups F, G
- ATEX Approved - PTB
- Ex de IIC, T6, Zones 1 and 2A, IP66
- GOST-R and GOST-K
- CSA Standard: C22.2 No.14
- NEMA 4X
- IP66



Standard Materials:

- Enclosure
 - 10A: Impact-resistance thermoplastic
 - 20A – 180A: Fiberglass-reinforced polyester
 - Non-metallic, corrosion resistance
 - Increased safety Ex-e protection
 - Impact Resistance
 - NEMA 4X, IP66 Protection
 - Enclosure meets UL 94-V0
 - UV Rated
- Enclosure Gasket – Silicon
- Handle – Impact-resistant thermoplastic
- Cover Screws – Stainless steel
- Conduit Entries: Zinc Myers™ Hubs

Electrical Rating Ranges:

Switches:		Horsepower Ratings:	
		240 VAC	600 VAC
GHG 261	10A	0.75	–
GHG 262	20A	14.3	12.2
GHG 263	40A	20	15
GHG 264	80A	50	30
GHG 265	125A	40	75
GHG 266	180A	40	75

Explosion Protected Disconnect Switches

**10, 20, 40, 80, 125 and 180 Amp
600VAC Non-metallic Enclosure**

cCSAus Certified
Cl. I, Div. 2, Groups A, B, C, D
Cl. I, Zones 1 and 2, AEx de IIC, T6
Cl. II, Div. 1, Groups E, F, G (CSA)
Cl. II, Div. 2, Groups F, G
ATEX Approved
Ex de IIC, T6, Zones 1 and 2, IP66

2A

Ordering Information:

	10 AMP	20 AMP	40 AMP		
Pole	3 Pole	3 Pole	6 Pole	3 Pole	6 Pole
Rated Voltage	500 V	690 V	690 V	690 V	690 V
Auxiliary Contact	1 NO, making – lagging breaking – leading	1 NO, making – lagging breaking – leading	1 NC	1 NO, making – lagging breaking – leading	1 NC
Auxiliary Connection	14 AWG 2 x 2.5 mm ²	12 AWG 2 x 4 mm ²	12 AWG 2 x 4 mm ²	12 AWG 2 x 16 mm ²	12 AWG 2 x 16 mm ²
Connection Terminals	14 AWG	12 AWG	12 AWG	6 AWG	6 AWG
Conduit Entries	1 x 3/4"	2 x 3/4"	2 x 3/4"	2 x 3/4"	2 x 1"
Cat. #	GHG 261 0005 L0002	GHG 262 2301 L0003	GHG 262 2601 L0002	GHG 263 2301 L0002	GHG 263 0050 L0002
Weight	0.55 kg 1.2 lbs.	1.5 kg 3.3 lbs.	2.3 kg 5.1 lbs.	2.3 kg 5.1 lbs.	6.5 kg 14.3 lbs.
Dimensions	See Figure 1	See Figure 2	See Figure 3	See Figure 4	See Figure 5
Wall Mounting Plate	GHG6101953R0101	GHG 610 1953 R0104	GHG 610 1953 R0118	GHG 610 1953 R0118	not required

	80 AMP	125 AMP	180 AMP	
Pole	3 Pole	6 Pole	3 Pole	3 Pole
Rated Voltage	690 V	690 V	690 V	690 V
Auxiliary Contact	1 NO, making – lagging breaking – leading	1 NC	1 NO, making – lagging breaking – leading	1 NO, making – lagging breaking – leading
Auxiliary Connection	12 AWG 2 x 50 mm ²	12 AWG 2 x 50 mm ²	12 AWG 1 x 70 mm ²	12 AWG 1 x 120 mm ²
Connection Terminals	2 AWG	2 AWG	2 / 0 AWG	4 / 0 AWG
Conduit Entries	2 x 1 1/2"	2 x 1 1/2"	2 x 1 1/2"	2 x 2"
Cat. #	GHG 264 0020 L0017	GHG 264 0021 L0002	GHG 265 0010 L0003	GHG 266 0006 L0002
Weight	6.5 kg 14.3 lbs.	9.0 kg 19.8 lbs.	16.0 kg 35.2 lbs.	16.5 kg 36.3 lbs.
Dimensions	See Figure 6	See Figure 7	See Figure 8	See Figure 8
Wall Mounting Plate	not required	not required	not required	not required

For Variable Speed, Three Phase Drives

	20 AMP	40 AMP	80 AMP
Pole	3 Pole	3 Pole	3 Pole
Rated Voltage	690 V	690 V	690 V
Auxiliary Contact	1 NO, making – lagging breaking – leading	1 NO, making – lagging breaking – leading	1 NO, making – lagging breaking – leading
Auxiliary Connection	12 AWG 2 x 4 mm ²	6 AWG 2 x 16 mm ²	2 AWG 2 x 35 mm ²
Connection Terminals	12 AWG	6 AWG	2 AWG
Conduit Entries	2 x 3/4"	1 x 1" + 1 x 1/2"	1 x 1 1/2" + 1 x 1/2"
Cat. #	GHG 262 0014 L0001	GHG 263 0053 L0001	GHG 264 0024 L0001
Weight	1.6 kg 3.5 lbs.	2.3 kg 5.1 lbs.	3.5 kg 7.7 lbs.
Dimensions	See Figure 9	See Figure 10	See Figure 11
Wall Mounting Plate	GHG 610 1953 R0118	GHG 610 1953 R0118	GHG6101953R0110

Switches can be mounted directly onto a wall. The optional wall mounting plate offers a more convenient method of mounting.

2A

2A Explosion Protected Disconnect Switches

10, 20, 40, 80, 125 and 180 Amp
600VAC Non-metallic Enclosure

cCSAus Certified
Cl. I, Div. 2, Groups A, B, C, D
Cl. I, Zones 1 and 2, AEx de IIC, T6
Cl. II, Div. 1, Groups E, F, G (CSA)
Cl. II, Div. 2, Groups F, G
ATEX Approved
Ex de IIC, T6, Zones 1 and 2, IP66

Dimensions In Inches:

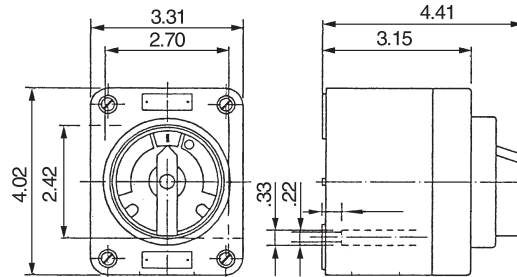


Figure 1 - 10 Amp, 3 Pole

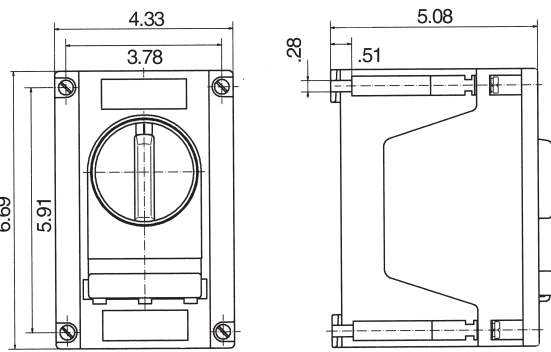


Figure 2 - 20 Amp, 3 Pole

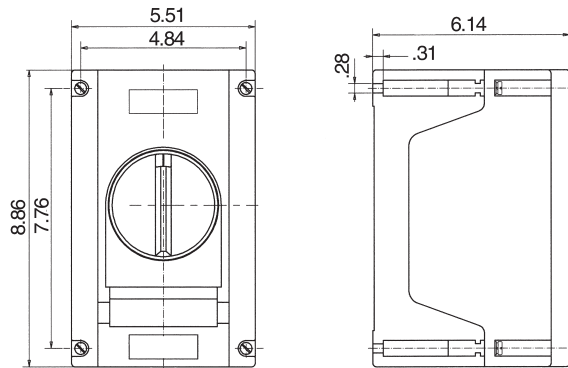


Figure 3 - 20 Amp, 6 Pole

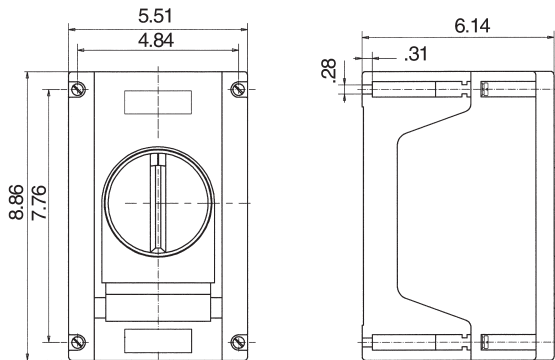


Figure 4 - 40 Amp, 3 Pole

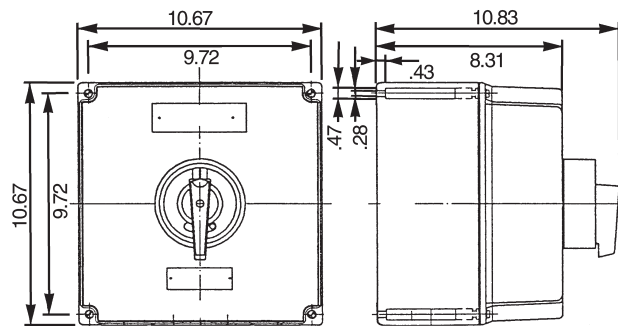


Figure 5 - 40 Amp, 6 Pole

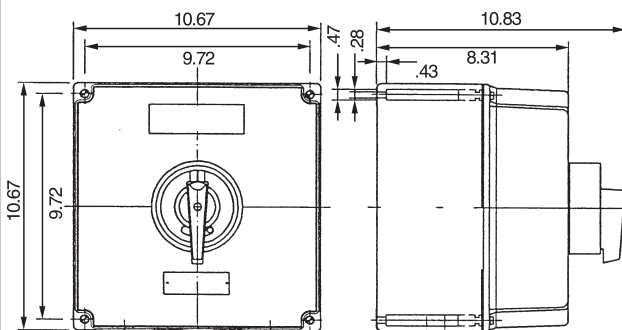


Figure 6 - 80 Amp, 3 Pole

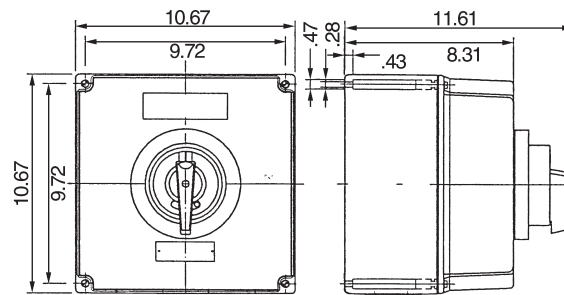


Figure 7 - 80 Amp, 6 Pole

2A

Explosion Protected Disconnect Switches

10, 20, 40, 80, 125 and 180 Amp
600VAC Non-metallic Enclosure

cCSAus Certified
Cl. I, Div. 2, Groups A, B, C, D
Cl. I, Zones 1 and 2, AEx de IIC, T6
Cl. II, Div. 1, Groups E, F, G (CSA)
Cl. II, Div. 2, Groups F, G
ATEX Approved
Ex de IIC, T6, Zones 1 and 2, IP66

2A

Dimensions In Inches:

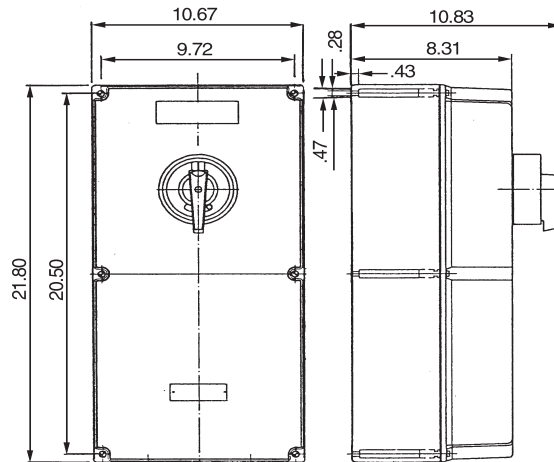


Figure 8 - 125 Amp, 3 Pole 180 Amp, 3 Pole

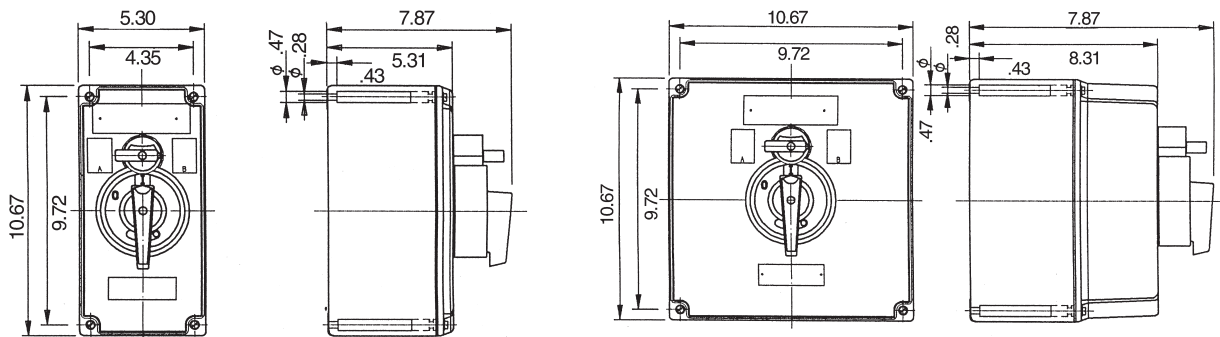


Figure 9 - 20 Amp, 3 Phase Variable Speed

Figure 10 - 40 Amp, 6 Phase Variable Speed

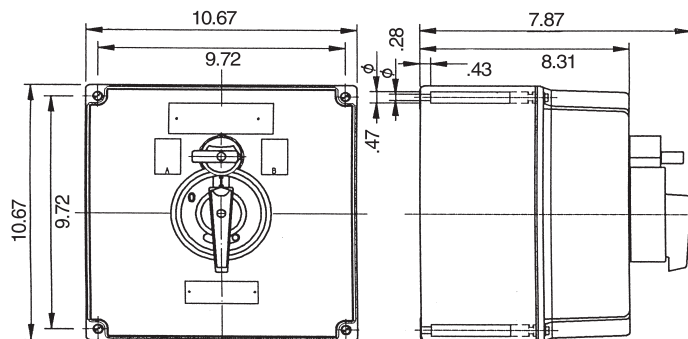


Figure 11 - 80 Amp, 3 Phase Variable Speed

2A