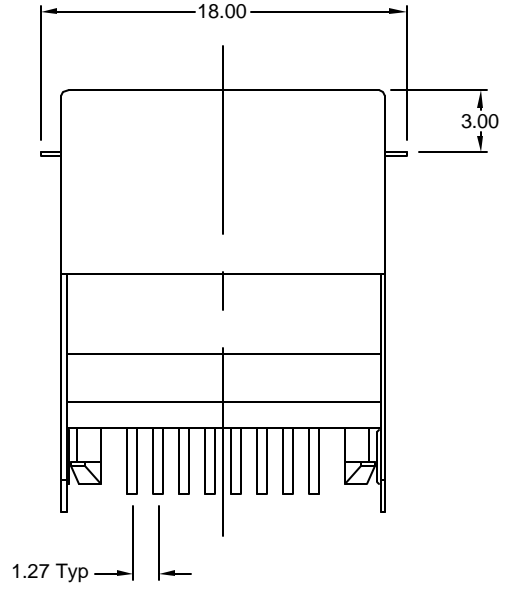
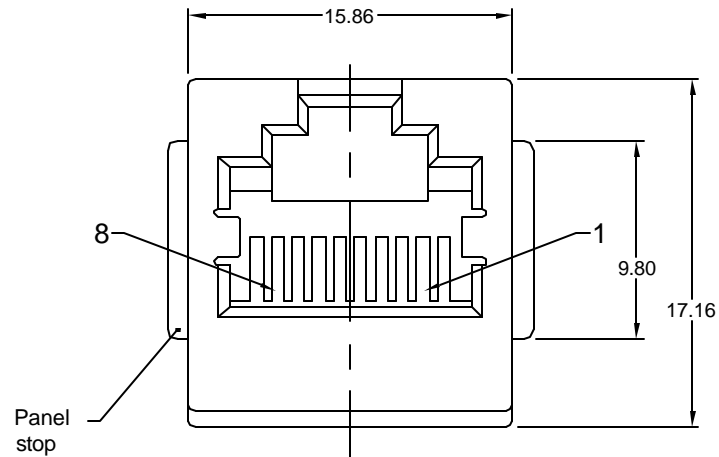
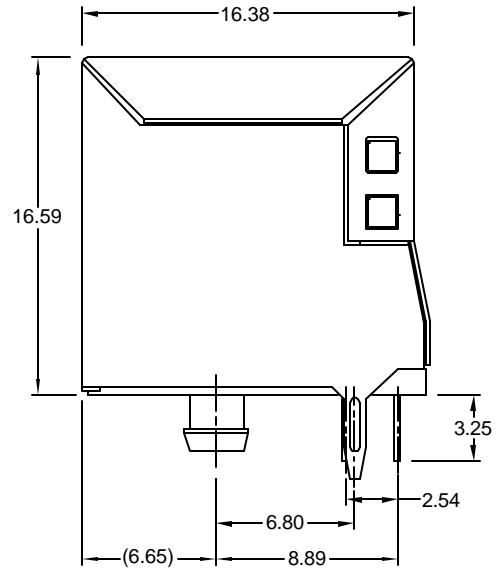
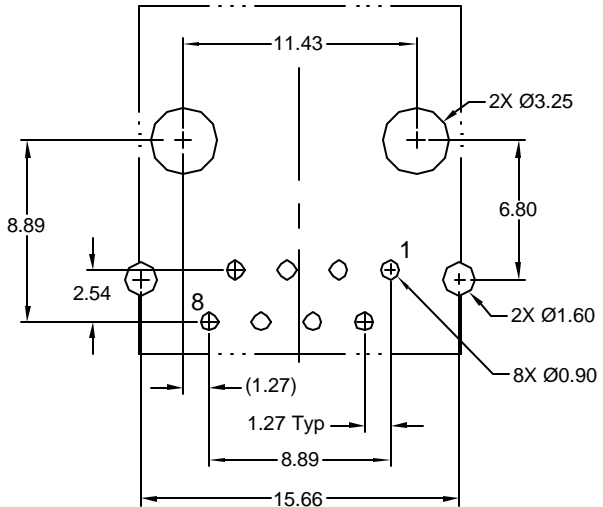


Recommended PCB Layout  
(top view)



**Materials and Finish**

Housing Material-  
PBT thermoplastic  
UL 94V-0 rated  
Color: black

Shield: 0.20mm thick  
Brass, nickel plated

Contact Material-  
Phosphor bronze

Plating Options-  
Standard: 0.0001" nickel  
underplating, gold flash plating  
on contact area, Tin plated on  
solder area

50 Option: 0.0001" nickel  
underplating, contact area plated  
0.000050" gold to comply  
with FCC requirements  
under No. 47 C.F.R. Part 68,  
Subpart F, Tin plated on solder area

**Electrical Characteristics**

Insulation Resistance-  
500 Megohms min.

Dielectric Withstanding Voltage-  
1000V rms, 60Hz

Contact Resistance-  
20 milliohms max.

Current Rating- 1.5A

Operating Temperature-  
-40°C to +85°C

Durability Rating-  
500 mating cycles min.

| Part Number   | Contact Area Plating Finish |
|---------------|-----------------------------|
| GDC-PAS-88    | Gold flash (standard)       |
| GDC-PAS-88-50 | 50u" Gold (50 option)       |

| Tolerances                 |
|----------------------------|
| X.X ± 0.38                 |
| X.XX ± 0.25                |
| Unless Stated<br>Otherwise |

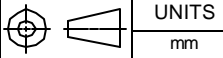


| REV. | DATE     | DESCRIPTION     | REV. BY | CHK. BY  | DRAWN BY | DATE     |
|------|----------|-----------------|---------|----------|----------|----------|
| A0   | 01/26/04 | New Drawing     | J. Wong | C. Leiva | J. Wong  | 01/23/04 |
| A1   | 03/09/04 | Release Drawing | H. MA   | N/A      |          |          |
|      |          |                 |         |          |          |          |
|      |          |                 |         |          |          |          |
|      |          |                 |         |          |          |          |

**GDC-PAS-88**

Vertical, Thru-Hole PCB Mount, Shielded, Keyed Mod Jack

8 position/8 contacts, closed body type



UNITS  
mm