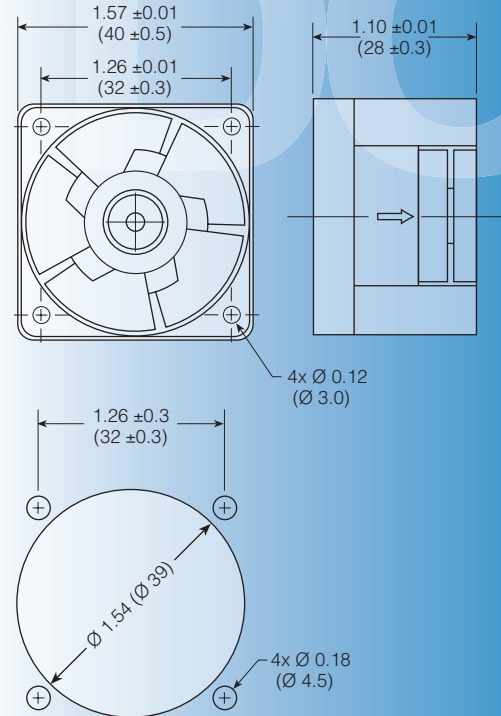


**Size: (40 x 40 x 28 mm)**  
**1.57 x 1.57 x 1.10 inches**

- Unique x-type frame
- Maximum airflow 40mm model
- Fits 1U height racks
- Ball Bearing
- Optional tachometer or locked rotor output signal



Model No.	Rated Voltage (V)	Current (mA)	Revolution (RPM)	Air Volume		Max Static Pressure (H <sub>2</sub> O)		Sound Noise (dBA)	Weight (g)
				M <sup>3</sup> /Min	CFM	MM	INCH		
G4028 M	12	350	8,000	0.37	13	9.3	0.36	37	50
G4028 H	12	400	10,000	0.46	16	14.4	0.57	41	50