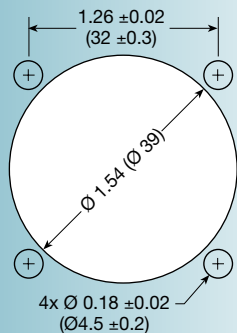
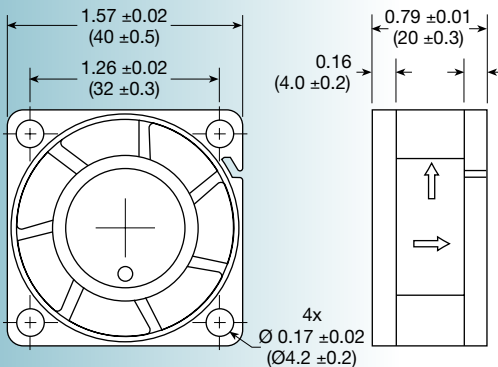


## G4020 series



**Size: (40 x 40 x 20 mm)**  
**1.57 x 1.57 x 0.79 inches**

**Construction:** UL94V-0 PBT impeller & frame

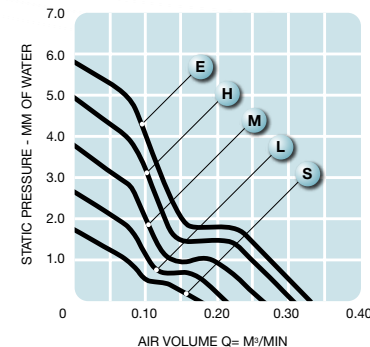
**Bearing option:** ball bearing or sleeve

**Connection:** AWG 26, UL1007 lead wires

**Frame:** ribbed

**Protection:** thermal

**Options:** tachometer output or locked rotor alarm signal; encapsulated motor



Model No.	Rated Voltage V	Current mA			Revolution RPM	Air Volume		Max. Static Pressure (H <sub>2</sub> O)		Sound Noise dbA	Weight g
		5	12	24		M <sup>3</sup> /Min.	CFM	MM	INCH		
G4020S	5/12	120	50	-	4,000	0.18	6.00	1.74	0.07	21	28
G4020L	5/12	160	70	-	5,000	0.22	8.00	2.66	0.11	23	28
G4020M	5/12/24	220	95	65	6,000	0.26	9.00	3.75	0.15	26	28
G4020H	5/12/24	300	130	80	7,000	0.31	11.00	4.98	0.20	29	28
G4020E	5/12/24	440	160	110	8,000	0.33	11.70	5.81	0.23	32	28