

G3G146-AB72-01

EC centrifugal fan

forward curved, single inlet
with housing (flange)



ebm-papst Mulfingen GmbH & Co. KG

Bachmühle 2

D-74673 Mulfingen

Phone +49 7938 81-0

Fax +49 7938 81-110

info1@de.ebmpapst.com

www.ebmpapst.com

Nominal data

Type	G3G146-AB72-01	
Motor	M3G074-CF	
Phase		1~
Nominal voltage	VAC	115
Frequency	Hz	50/60
Type of data definition		ml
State		prelim.
Speed	min ⁻¹	2390
Power input	W	170
Current draw	A	2.1
Min. back pressure	Pa	0
Min. ambient temperature	°C	-25
Max. ambient temperature	°C	60

ml = max. load · me = max. efficiency · rfa = running at free air · cs = customer specs · cu = customer unit
Subject to alterations

EC centrifugal fan

forward curved, single inlet

with housing (flange)

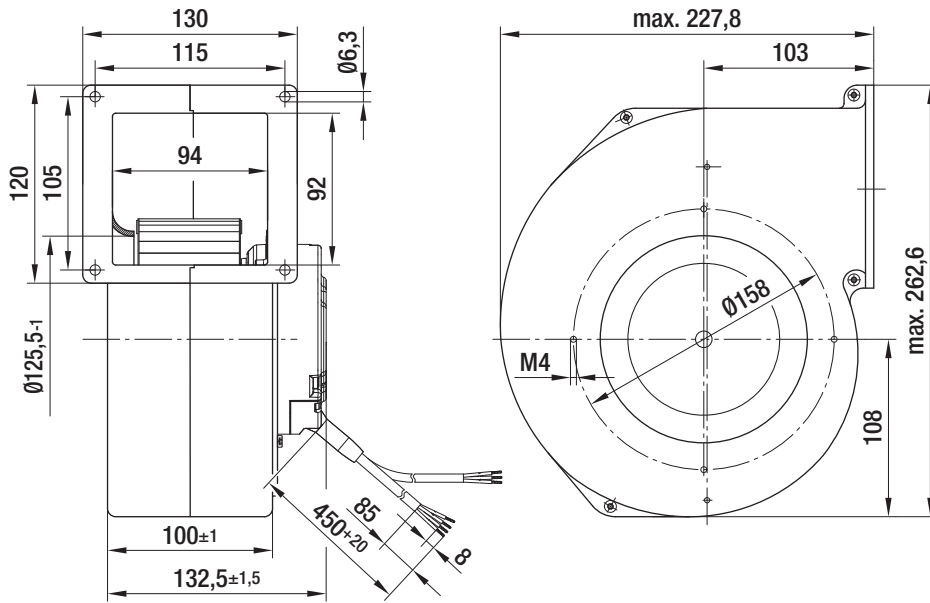
Technical features

Leakage current	<= 3.5 mA
General description	Integrated electronics
Size	146 mm
Operation mode	Continuous operation (S1)
Direction of rotation	Clockwise, seen on rotor
Mounting position	Shaft horizontal or rotor on top; rotor on bottom on request
Humidity class	F3-1
Insulation class	"B"
Cable exit	Variable
Motor bearing	Ball bearing
Mass	3.5 kg
Material of electronics housing	Rotor: Galvanized
Material of impeller	Sendzimir galvanized sheet steel
Motor protection	Thermal overload protector (TOP) wired internally
Type of protection	IP 44
Protection class	I
Technical features	PFC (passive), control input 0-10 VDC / PWM, output 10 VDC max. 1.1 mA, tach output, over-temperature protected electronics / motor
Approval	CSA C22.2 Nr.77; UL 2111

EC centrifugal fan

forward curved, single inlet
with housing (flange)

Product drawing

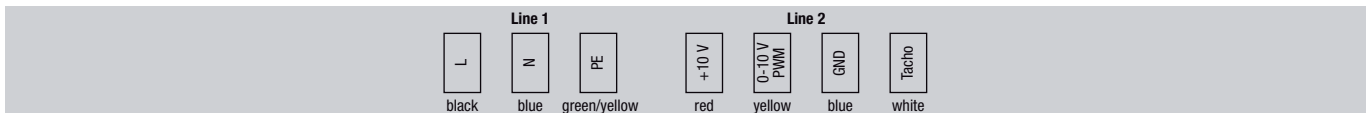
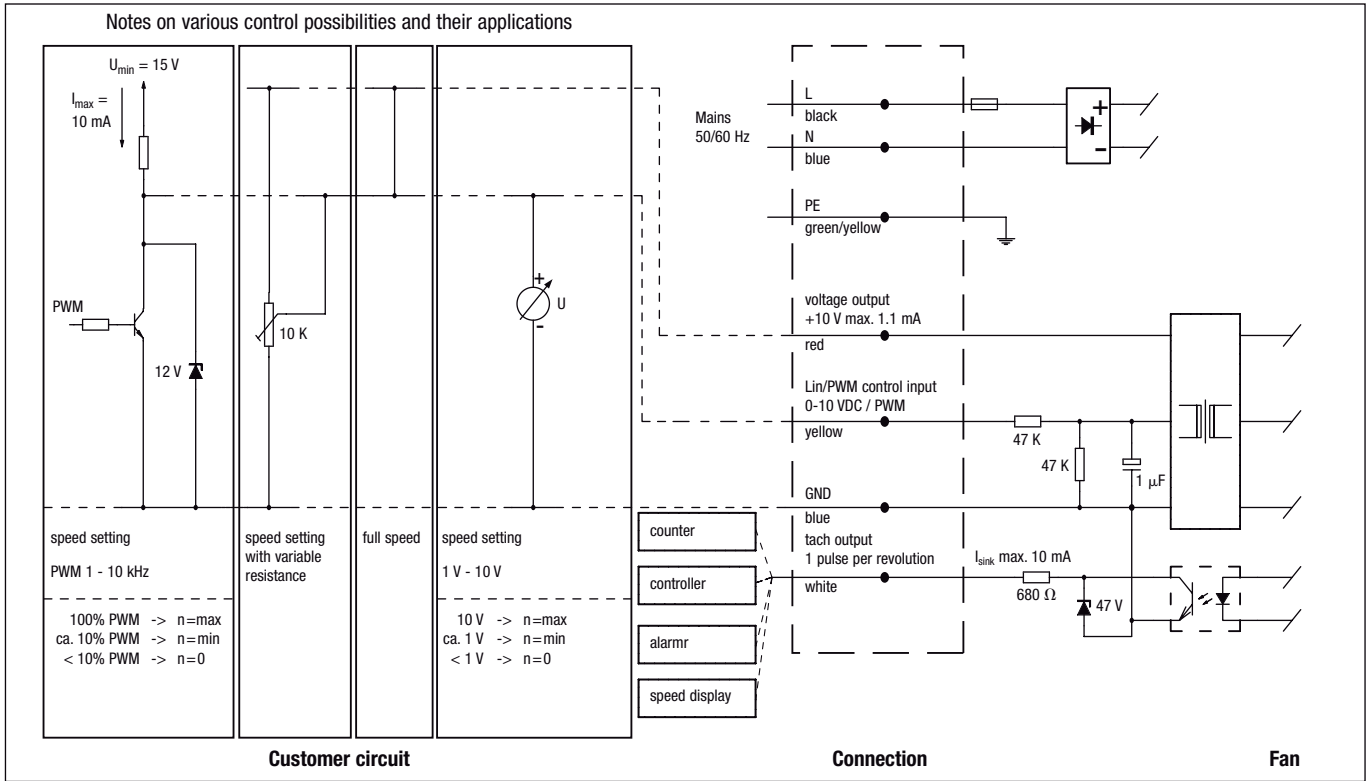


EC centrifugal fan

forward curved, single inlet

with housing (flange)

Connection screen

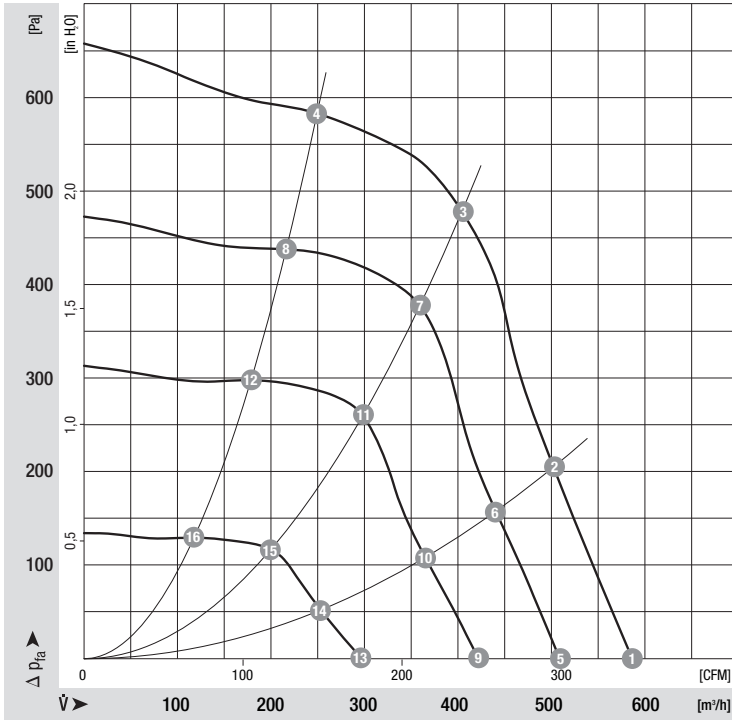


Line	Signal	Colour	Assignment / function	Line	Signal	Colour	Assignment / function
1	L	black	Mains 50/60 Hz, phase	2	+10 V	red	Voltage output +10 V max. 1.1 mA
	N	blue	Mains 50/60 Hz, neutral		0-10 V / PWM	yellow	Control input
	PE	green/yellow	Protective earth		GND	blue	GND
					Tacho	white	Tach output: pulses per revolution

EC centrifugal fan

forward curved, single inlet
with housing (flange)

Charts: Air flow



Measured values

	n	P_e	l
	min ⁻¹	W	A
1	2430	168	2.10
2	2720	167	2.10
3	3040	159	2.00
4	3230	119	1.50
5	2120	110	1.40
6	2390	109	1.40
7	2700	109	1.40
8	28000	77	1.00
9	1770	66	0.90
10	1980	66	0.90
11	2230	65	0.90
12	2330	48	0.70
13	1250	26	0.40
14	1390	26	0.40
15	1520	24	0.40
16	1560	19	0.30