

G1G097-AA07-01

EC centrifugal fan

forward curved, single inlet
with housing (without flange)



ebm-papst Mulfingen GmbH & Co. KG

Bachmühle 2

D-74673 Mulfingen

Phone: +49(0)7938/81-0

Fax: +49(0)7938/81-110

info1@de.ebmpapst.com

www.ebmpapst.com

Nominal data

Type	G1G097-AA07-01	
Motor	M1G045-BE	
Nominal voltage	[VDC]	48
Nominal voltage range	[VDC]	36 .. 57
Type of data definition		rfa
Speed	[min ⁻¹]	2650
Power input	[W]	16
Min. ambient temperature	[°C]	- 25
Max. ambient temperature	[°C]	+60

mi = max. load · me = max. efficiency · rfa = running at free air · cs = customer specs · cu = customer unit
Subject to alterations

EC centrifugal fan

forward curved, single inlet
with housing (without flange)

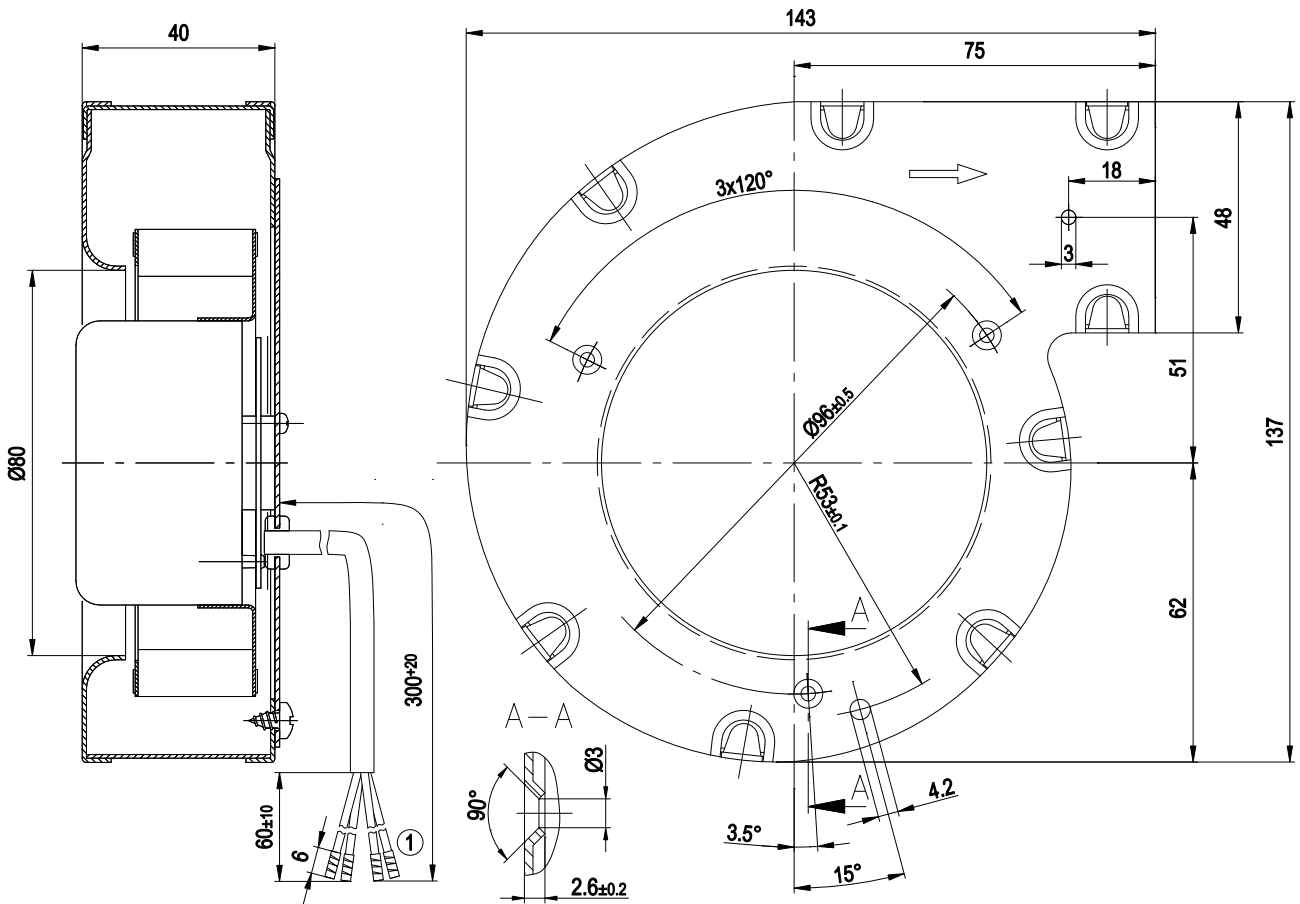
Technical features

General description	Integrated electronics
Size	97 mm
Operation mode	S1
Direction of rotation	Clockwise, seen on rotor
Mounting position	Any
Insulation class	"B"
Cable exit	Axial
Condensate discharge holes	None
Bearing motor	Ball bearing
Mass	0.8 kg
Housing material	Sheet steel, hot-galvanised
Material of impeller	Sheet steel, hot-galvanised
Motor protection	Reverse polarity and locked-rotor protection
Product conforming to standard	EN 60950-1
Surface of rotor	Thick layer passivated
Type of protection	IP 22
Technical features	- Tach output - Soft start - Control input 0-10 VDC / PWM
Max. permissible ambient motor temp. (transp./ storage)	+ 80 °C
Min. permissible ambient motor temp. (transp./storage)	- 40 °C
Approval	CCC

EC centrifugal fan

forward curved, single inlet
with housing (without flange)

Product drawing



1 Connection line PVC AWG22, 4 x brass lead tips crimped

EC centrifugal fan

forward curved, single inlet
with housing (without flange)

Connection screen

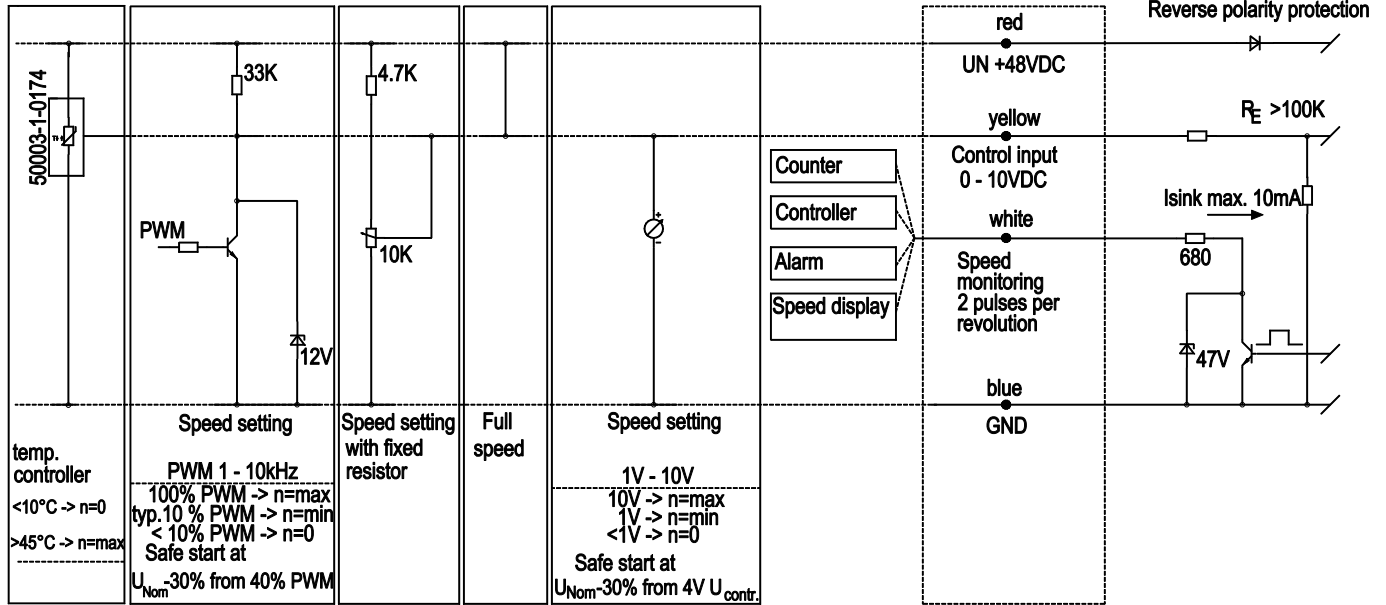
Customer circuit

Interface

Fan / motor

Notes on various control possibilities and their applications

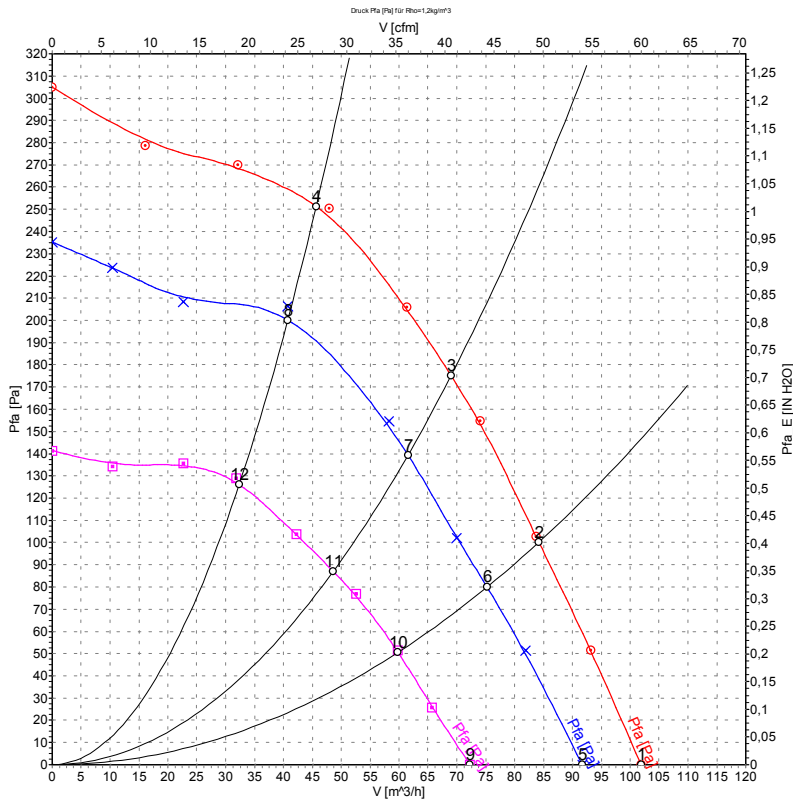
Maximum ripple $\pm 3.5\%$



EC centrifugal fan

forward curved, single inlet
with housing (without flange)

Charts: Air flow



Measurement: LU-44117
Measurement: LU-44116
Measurement: LU-44118

Measured values

	U	n	P ₁	I	\hat{V}	p _{fa}
	[V]	[min ⁻¹]	[W]	[A]	[m ³ /h]	[Pa]
1	56	2820	19	0.39	100	0
2	56	2990	17	0.34	85	100
3	56	3140	15	0.30	70	175
4	56	3385	12	0.24	45	253
5	48	2550	14	0.33	90	0
6	48	2695	12	0.29	75	80
7	48	2820	11	0.26	60	140
8	48	3030	8.64	0.21	40	200
9	36	2080	7.91	0.25	70	0
10	36	2180	6.99	0.22	60	51
11	36	2280	6.13	0.20	50	87
12	36	2415	4.97	0.17	30	128