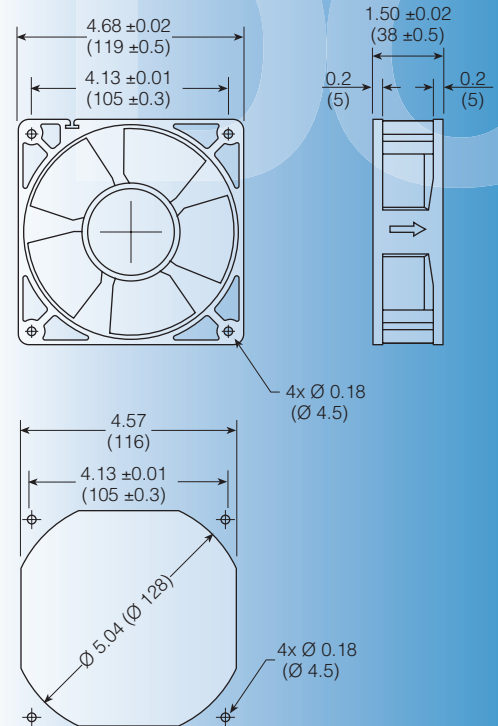


**Size: (120 x 120 x 38 mm)**  
**4.69 x 4.69 x 1.5 inches**

- Over 150 CFM
- Ball bearing construction
- 12, 24 and 48 VDC models available
- Optional tachometer or locked rotor alarm signal available



Model No.	Rated Voltage (V)	Current (mA)			Revolution (RPM)	Air Volume		Max Static Pressure (H <sub>2</sub> O)		Sound Noise (dBA)	Weight (g)
		12	24	48		M <sup>3</sup> /Min	CFM	MM	INCH		
G1238 S	12/24/48	250	180	80	2,000	2.30	82	4.34	0.17	34	262
G1238 L	12/24/48	400	250	130	2,400	2.80	100	6.12	0.24	38	262
G1238 M	12/24/48	600	330	180	2,800	3.30	118	7.90	0.31	43	262
G1238 H	12/24/48	750	450	250	3,200	3.80	135	9.67	0.38	46	262
G1238 E	12/24/48	1200	600	330	3,600	4.30	152	11.42	0.45	49	262