

Description

The Model 41 is a 3-figure or 4-figure mechanical register and is used to display gallons or liters output from a dispenser or pump. The large figure display can be reset with the rotary reset shaft. A smaller, non-reset, mechanical totalizer is also included to record total product dispensed.

Features

- Large easy to read figures
- Time tested, reliable and durable
- Wide operating temperature range
- All non-corrosive parts
- Spring loaded totalizer is pre-settable
- No lubrication required

Options

- Gallons or liters
- Reset shaft configuration
- Reset shaft: right hand, left hand, or both

Specifications

Figures:

Main Display: 3 or 4 figures, white on black, 0.65" [16.5mm] high

Totalizer: 0.19" [5mm] white on black

Reset: Rotary reset. Reset knob supplied by customer

Reset Shaft: 0.25" [6.4mm] diameter

Speed:

40 gallons per/minute, 400 liters per/minute

Operation Life:

1 million gallons, 10 million liters

Temp. Range:

-40°F to +150°F [-40°C to +65°C]

Weight:

3-figure - 9oz [255g], 4-figure - 11oz [312g]

Models

Description

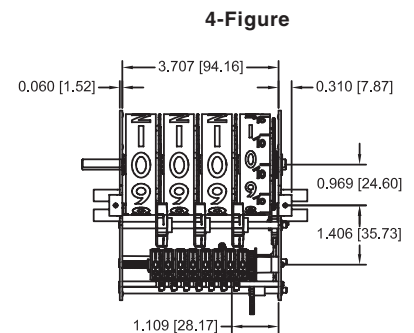
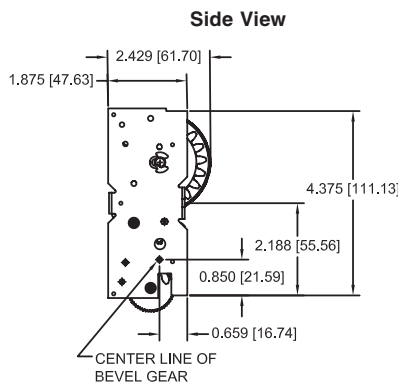
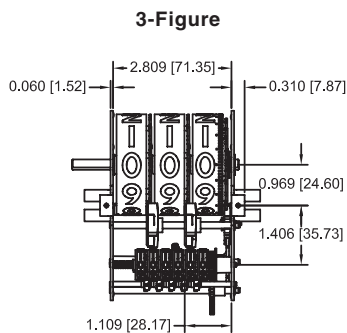
1-4103 3-figures, gallon display
2-4104 4-figures, gallon display

Models

Description

2-4103 3-figures, liter display
3-4104 4-figures, liter display

Dimensions



Applications

Pumps and Flow Meters

