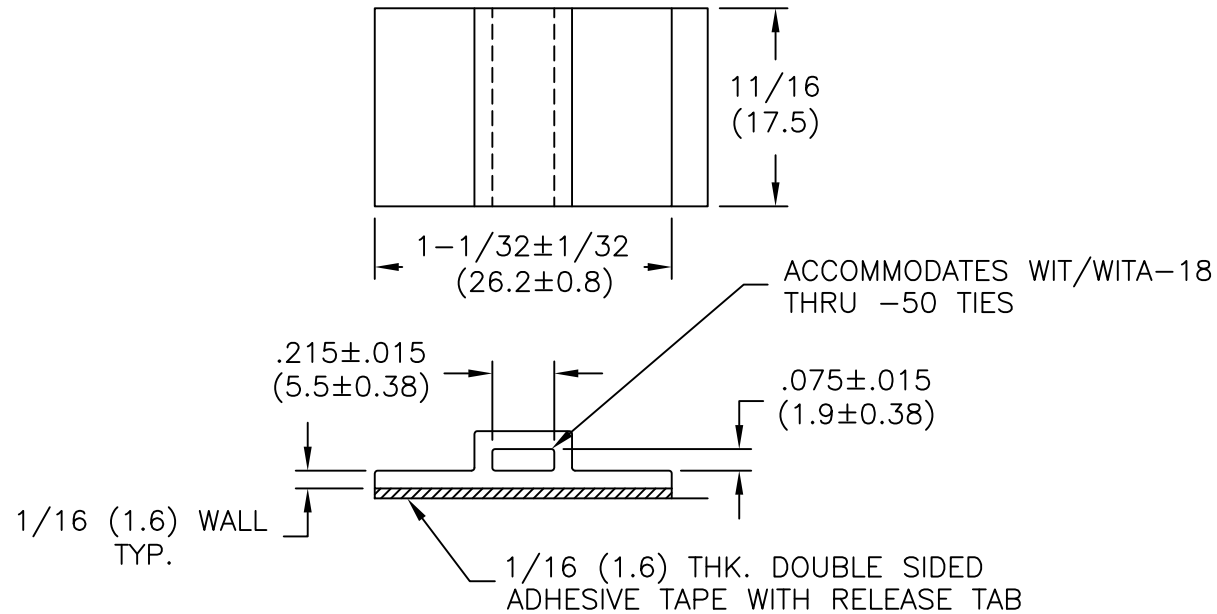


PART NO.	
W/TAPE	FTH-2A-RT
W/O TAPE	FTH-2



NOTES:

1. MAT'L: NORYL (RMS-05).
2. COLOR: WHITE.
3. ACRYLYC ADHESIVE TAPE (RMS-15), WHITE LINER.

<table border="1"> <tr> <td>F</td> <td>SEE CO 200570 FOR CHANGES</td> <td>SK 08.04.10</td> </tr> <tr> <td>E</td> <td>SEE ECN #1124 FOR CHANGES</td> <td>SK 01.24.06</td> </tr> <tr> <td>D</td> <td>UPDATED MAT'L NOTES AND CHANGED FILE NO.</td> <td>SM 03.18.02</td> </tr> <tr> <td>C</td> <td>ALL NOTES UPDATED</td> <td>J.L. 12.22.99</td> </tr> <tr> <td>B</td> <td>NOTE 2 ADDED</td> <td>PB 07.26.95</td> </tr> <tr> <td>A</td> <td>CONVERTED TO ACAD</td> <td>PB 06.27.94</td> </tr> <tr> <td>REV</td> <td>DESCRIPTION</td> <td>ENGR DATE</td> </tr> </table>			F	SEE CO 200570 FOR CHANGES	SK 08.04.10	E	SEE ECN #1124 FOR CHANGES	SK 01.24.06	D	UPDATED MAT'L NOTES AND CHANGED FILE NO.	SM 03.18.02	C	ALL NOTES UPDATED	J.L. 12.22.99	B	NOTE 2 ADDED	PB 07.26.95	A	CONVERTED TO ACAD	PB 06.27.94	REV	DESCRIPTION	ENGR DATE	<p>TITLE: WIRE TIE HOLDER</p>					<p>DWG IN IN (MM)</p>	
F	SEE CO 200570 FOR CHANGES	SK 08.04.10																												
E	SEE ECN #1124 FOR CHANGES	SK 01.24.06																												
D	UPDATED MAT'L NOTES AND CHANGED FILE NO.	SM 03.18.02																												
C	ALL NOTES UPDATED	J.L. 12.22.99																												
B	NOTE 2 ADDED	PB 07.26.95																												
A	CONVERTED TO ACAD	PB 06.27.94																												
REV	DESCRIPTION	ENGR DATE																												
<p>TOLERANCES UNLESS NOTED .XX=±.010 .XXX=±.005 FRAC=±1/64 ANG=±1'</p>			<p>FILE # FTH-2</p>	<p>DWN: P.B.</p>	<p>APP:</p>	<p>FINAL</p>																								
			<p>MAT'L: SEE NOTES</p>	<p>DT: 06/27/94</p>	<p>DT:</p>	<p>PART #</p>	<p>PRINT TYPE</p>																							
			<p>RE: RICHCO, INC.</p>	<p>RICHCO INC. PO BOX 804238, CHICAGO, 60680 (773) 539-4060</p>		<p>SEE TABLE</p>	<p>CA</p>																							