

THIS DRAWING IS UNPUBLISHED. RELEASED FOR PUBLICATION
 © COPYRIGHT BY TYCO ELECTRONICS CORPORATION. ALL INTERNATIONAL RIGHTS RESERVED.

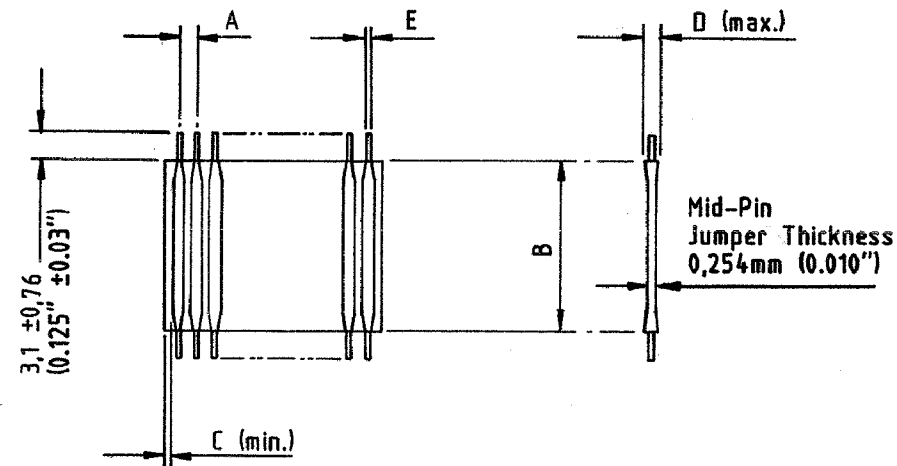
LOC J	DIST	REVISIONS 変更			DATE	DWN	APVD
		P	LTR	DESCRIPTION			
		A		REDRAWN AND REACTIVATE ECR-09-023133	23OCT2009	T.T	T.M



FLEXSTRIP* JUMPERS.

†CONDUCTOR PITCH "A"	MARGIN C (min.)		THICKNESS D (MAX.)		PIN DIAMETER E ±0,025 (±.001")		NUMBER OF CONDUCTORS	
	Cat.Ref.	mm (inch)	mm (inch.)	mm (inch.)	mm (inch.)	min.	max.	
1	1,27 .050"	0,25 .010"	0,64 .025"	0,320 .0126"	2 - 30			
6	1,90 .075"	0,38 .015"	0,84 .033"	0,404 .0159"	2 - 30			
2	2,54 .100"	0,51 .020"	0,84 .033"	0,511 .0201"	2 - 30			
3	3,18 .125"	1,52 .060"	0,84 .033"	0,511 .0201"	2 - 25			
4	3,81 .150"	1,52 .060"	0,84 .033"	0,511 .0201"	2 - 20			
5	5,08 .200"	1,52 .060"	0,84 .033"	0,511 .0201"	2 - 15			

2/86



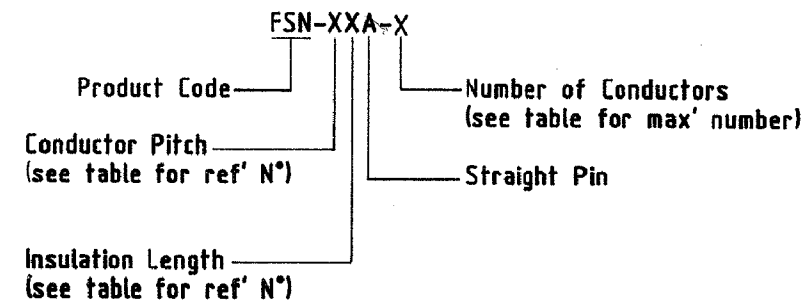
Dimensions are shown in mm (inches.)
 † Tolerance on Pitch ±0,25 (0.01") non-cumulative.

INSULATION LENGTH B ±1.57 (±0.062")		
mm	(inch)	Cat. Ref.
25.4	1	1
38.1	1½	1.5
50.8	2	2
63.5	2½	2.5
76.2	3	3
88.9	3½	3.5
101.6	4	4
114.3	4½	4.5
127	5	5
139.7	5½	5.5
152.4	6	6

PROPERTIES :-
 Insulation Material - Nomex*
 Temperature Rating - 105°C
 Current Rating - 2 amps
 U.L. Style Number - 5188

NOTES:-
 *Trademark of Thomas & Betts Corporation
 * Registered trademark of E.I. Du Pont de Nemours

CATALOGUE NUMBERING SYSTEM



EXAMPLE:-

FSN -22A - 15

FSN - Flexstrip Jumper With Nomex Insulation
 2 - Conductor Pitch 2.54 (0.100)
 2 - Insulation Length 50.8 (2)
 A - Straight Pin
 15 - Number of Conductors 15

T&B THOMAS & BETTS INTERNATIONAL
 EUROPEAN ENGINEERING DIVISION

ORG. N°
 3S-10018

THIS DRAWING IS A CONTROLLED DOCUMENT.		DWN T.TSUZAKI 23OCT2009	Tyco Electronics Corporation Kawasaki, Japan	
DIMENSIONS: 単位: 特 mm		CHK T.MASUDA 23OCT2009	Tyco Electronics	
TOLERANCES UNLESS OTHERWISE SPECIFIED. 一般公差		APVD T.MASUDA 23OCT2009	NAME FLEX STRIP JUMPERS	
0 PLC ± 1 PLC ± 2 PLC ± 3 PLC ± 4 PLC ± ANGLES ±		PRODUCT SPEC 製品規格	APPLICATION SPEC 取付適用規格	
MATERIAL 材料		WEIGHT	SIZE A2	CAGE CODE 00779
		DRAWING NO FSN-26A-24	RESTRICTED TO	
		CUSTOMER DRAWING	SCALE NTS	SHEET 1 of 1