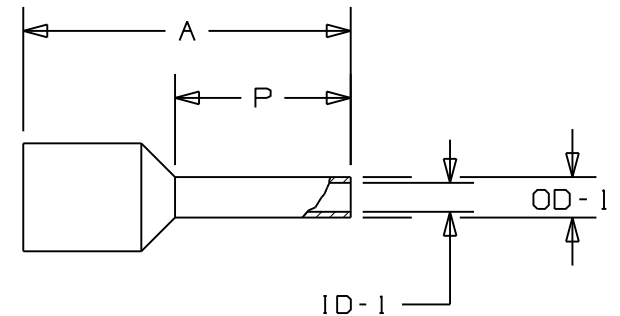


PART NO	WIRE RANGE AWG (mm ²)	COLOR	STRIP LENGTH 15/32 (3,8) 1/8 (3,2)	A	P	ID-1	OD-1	MAX WIRE INSUL DIA	INSTALLATION TOOLS
FSDX75-8-D	20 (0,50)	WHITE	15/32 (3,8) 1/8 (3,2)	0.53 (13,5)	0.32 (8,0)	0.04 (1,1)	0.05 (1,4)	0.12 (3,0)	CT-1002 CT-1003 CT-1123
FSDX76-8-D	20 (0,75)	GRAY	15/32 (3,8) 1/8 (3,2)	0.55 (14,0)	0.32 (8,0)	0.05 (1,3)	0.06 (1,6)	0.14 (3,4)	
FSDX77-8-D	18 (1,0)	RED	15/32 (3,8) 1/8 (3,2)	0.57 (14,5)	0.32 (8,0)	0.06 (1,5)	0.07 (1,8)	0.14 (3,4)	
FSDX78-8-D	16 (1,5)	BLACK	15/32 (3,8) 1/8 (3,2)	0.57 (14,5)	0.32 (8,0)	0.07 (1,8)	0.08 (2,1)	0.15 (3,8)	
FSDX84-12-C	6 (16,0)	BLUE	7/8 (22,2)	0.91 (23,0)	0.47 (12,0)	0.24 (6,0)	0.25 (6,4)	0.37 (9,5)	

NOTES:

- MATERIAL:
A. STAMPING - COPPER, TIN PLATED
B. HOUSING - PLASTIC, COLOR CODED
- DIMENSIONS IN BRACKETS ARE IN mm OR mm²
- FOR TOLERANCING REFER TO DIN 46228 PART 4
- PACKAGE QTY: -C=100
-D=500



PANDUIT

CORP.

TINLEY PARK, ILLINOIS

FERRULE DUAL WIRE
(DIN)

01	2/11	SRB	CHANGED MAX WIRE INSUL DIA FSDX75,FSDX76,FSDX77,FSDX78,FSDX84
00	1/11	SRB	RELEASED
REV	DATE	BY	DESCRIPTION

DRAWN BY	CHK'D	SCALE	DRAWING NO.
JKD	SKB	NONE	A41752